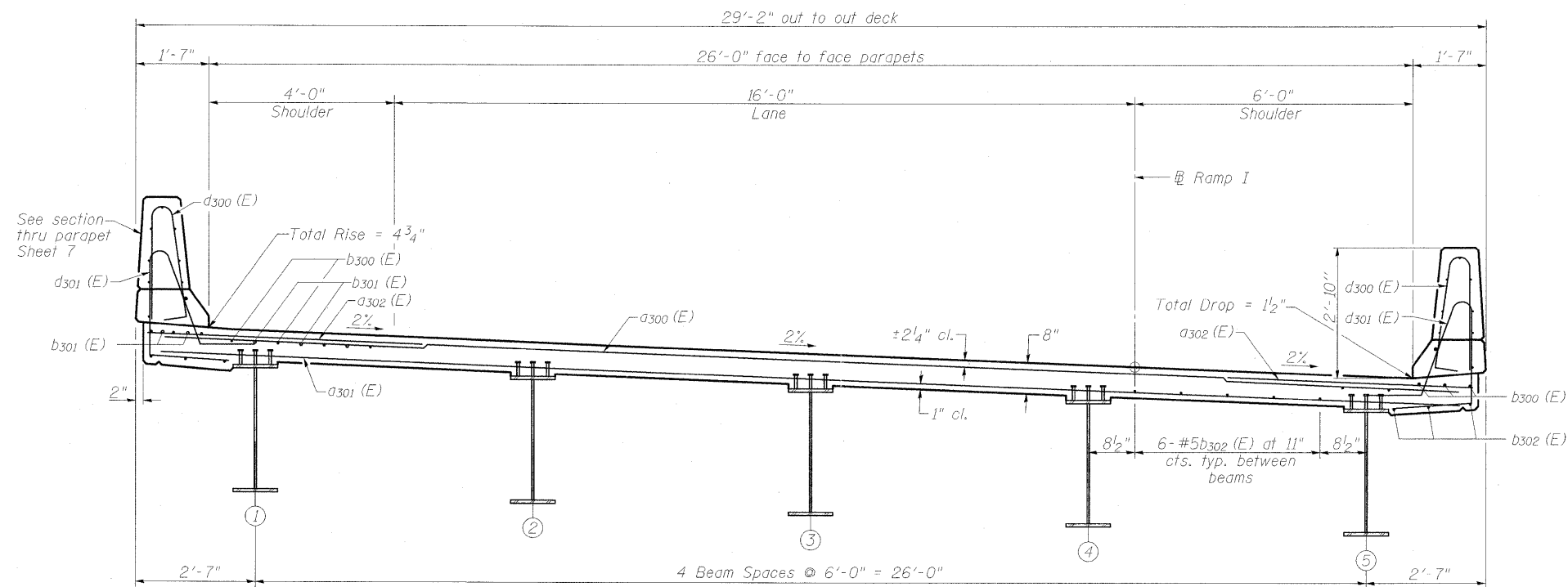


\*Order a300(E) and a301(E) bars full length. Cut to fit skew and use remainder of bars in opposite end.

PLAN

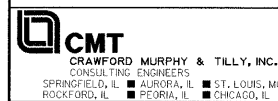
MIN. BAR LAP  
#5 Bar = 2'-7"



(NEAR PIER)

CROSS SECTION

(NEAR MIDSPAN)



FILE NAME = ...Ramp 1\SUPERSTRUCTURE.006.dgn  
USER NAME = Rob Heady

DESIGNED - BPD  
CHECKED - REB  
DRAWN - GLD  
CHECKED - BPD  
PLOT SCALE =  
PLOT DATE = 10/7/2011

REVISOR -  
REVISION -  
REVISION -  
REVISION -

DESIGNED - BPD  
CHECKED - REB  
DRAWN - GLD  
CHECKED - BPD  
PLOT SCALE =  
PLOT DATE = 10/7/2011

STATE OF ILLINOIS  
DEPARTMENT OF TRANSPORTATION

SUPERSTRUCTURE PLAN & CROSS SECTION  
STRUCTURE NO. 100-0097  
SHEET NO. 6 OF 23 SHEETS

F.A. RTE.	SECTION	COUNTY	TOTAL SHEETS	SHEET NO.
*	OX1-6-2)HB-1	WILLIAMSON	968	666
* F.A.I. 57 AND F.A.P. 331 CONTRACT NO. 78182				
[ILLINOIS] FED. AID PROJECT				