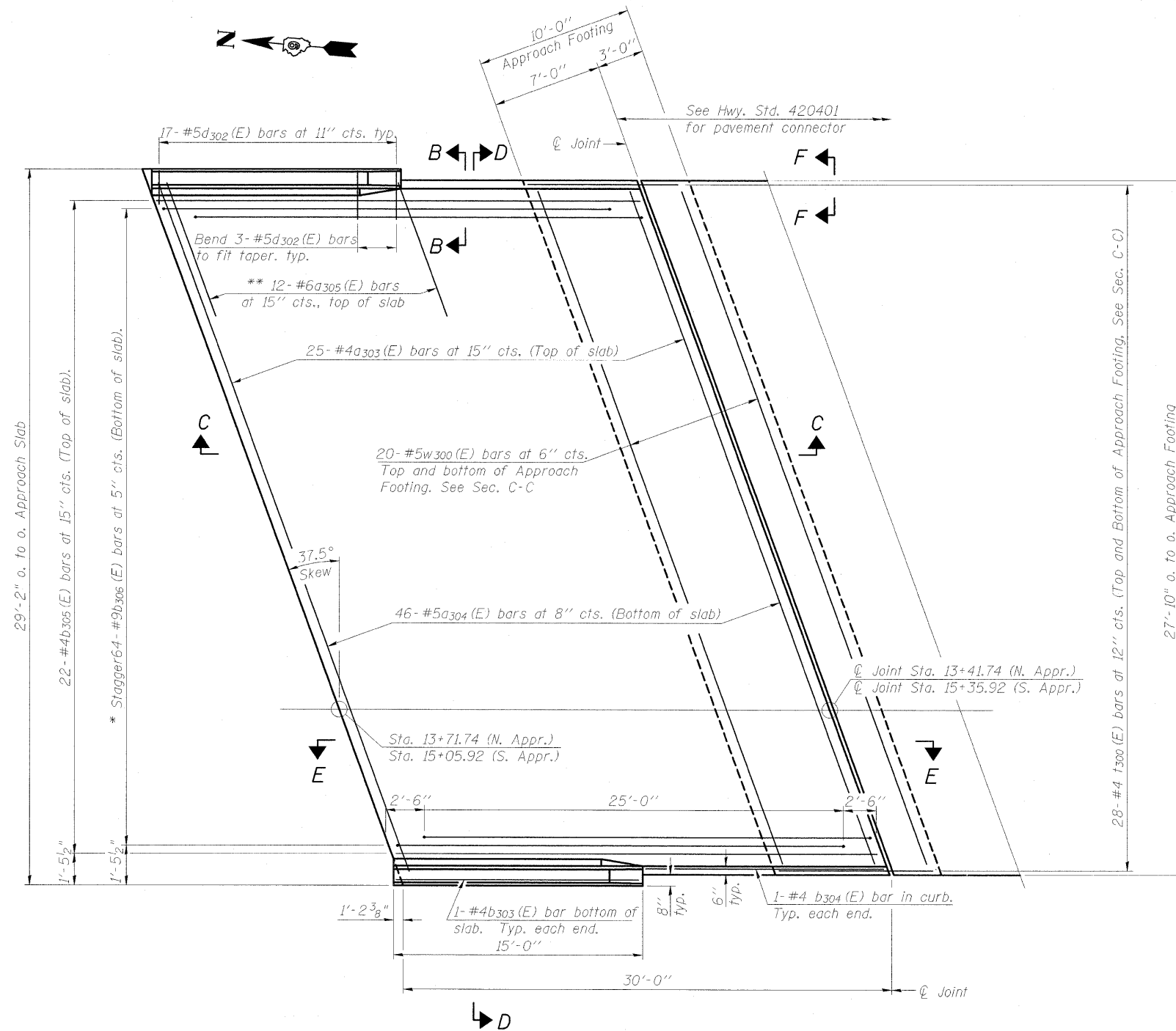
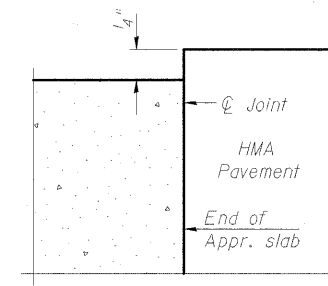


Notes:
See sheet 10 of 23 for Sections C-C & D-D and View E-E.
a303 (E) and a304 (E) bar spacings measured along ϕ Rdwy.

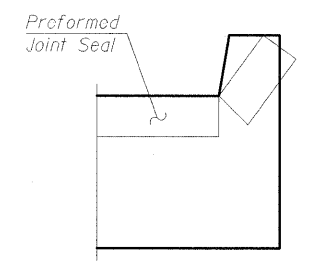


PLAN

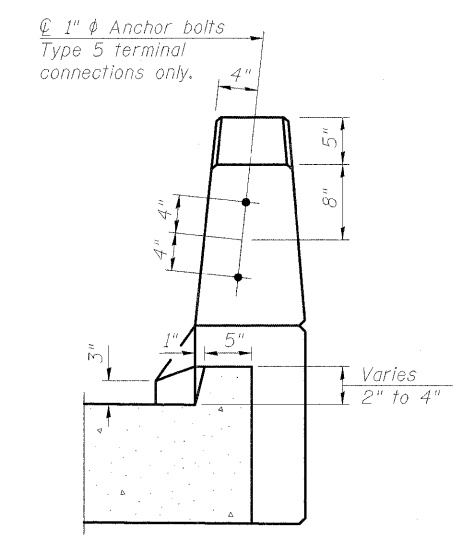
* Tilt #9b306 (E) bars as required to maintain clearance.
** Space between a303 (E) bars, typ. each parapet.



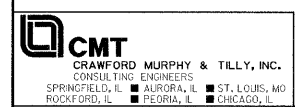
**FLEXIBLE PAVEMENT
DETAIL A**



VIEW F-F
Angle Pre-Formed Joint Seal at 45°
at curbs when req'd for drainage.



VIEW B-B



FILE NAME = ...VAPP SLAB DETAILS.1.029.DGN
USER NAME = Rob Heady
PLOT SCALE =
PLOT DATE = 10/7/2011

DESIGNED - BPD	REVISD -
CHECKED - REB	REVISD -
DRAWN - GLD	REVISD -
CHECKED - BPD	REVISD -

**STATE OF ILLINOIS
DEPARTMENT OF TRANSPORTATION**

**BRIDGE APPROACH SLAB DETAILS 1
STRUCTURE NO. 100-0097**

SHEET NO. 9 OF 23 SHEETS

F.A. RTE.	SECTION	COUNTY	TOTAL SHEETS	SHEET NO.
*	IX1-6-2(HB-1)	WILLIAMSON	968	669
* F.A.I. 57 AND F.A.P. 331 CONTRACT NO. 78182				
ILLINOIS FED. AID PROJECT				