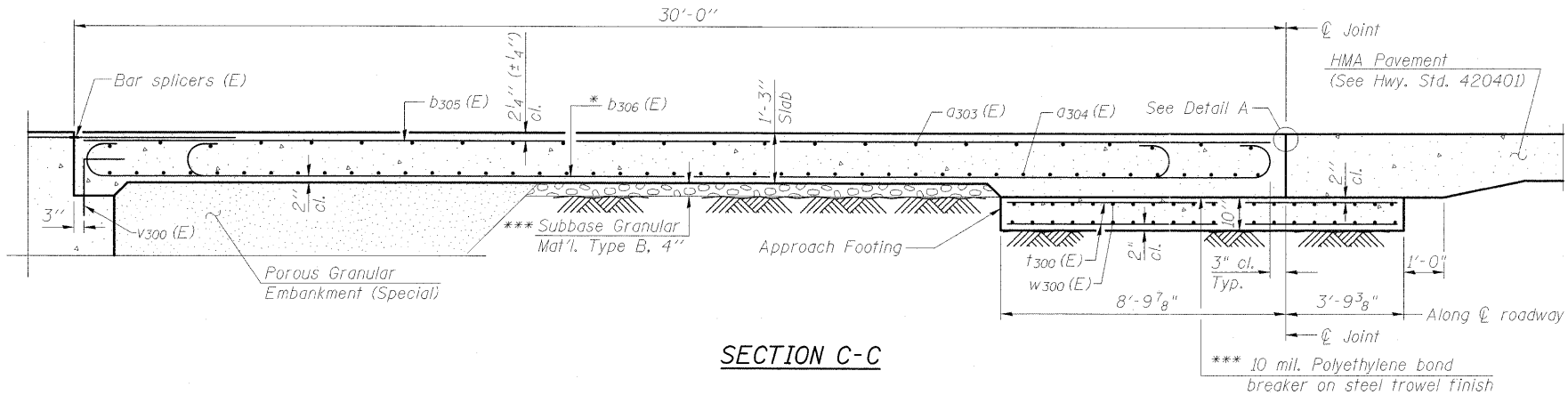
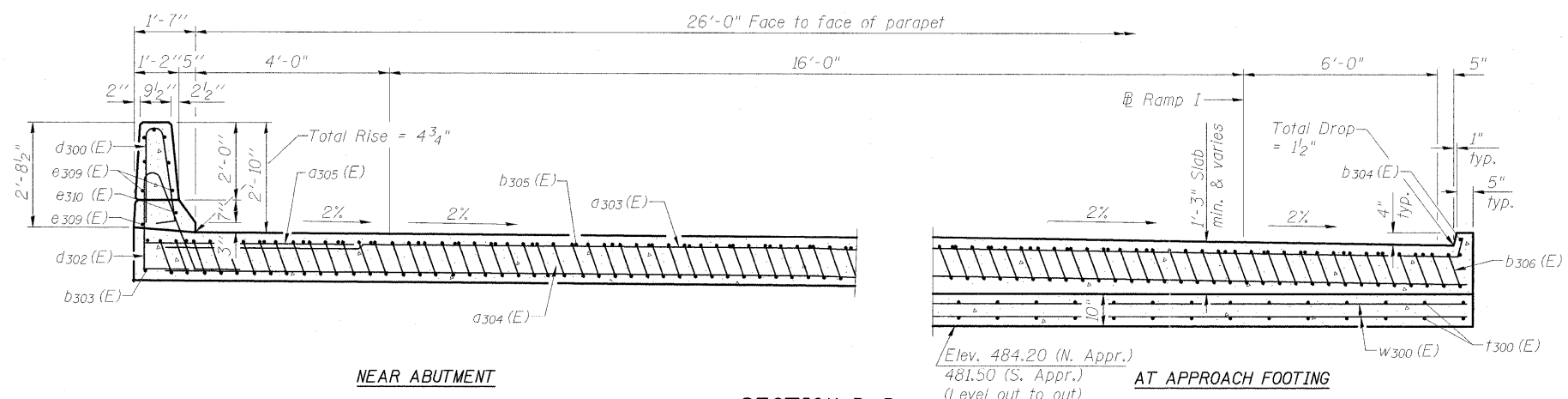


Notes:
 See sheet 9 of 23 for Detail A and View B-B.
 Approach slab and parapet concrete shall be paid for as Concrete Superstructure.
 Approach footing concrete shall be paid for as Concrete Structures.
 Reinforcement shall be paid for as Reinforcement Bars, Epoxy Coated.
 For v300(E) bar details, see sheet 8 of 23.
 The approach footing maximum applied service bearing pressure (Qmax) = 2.0 ksf.
 For bar splicer details, see sheet 19 of 23.
 Cost of excavation for approach footing included with Concrete Structures.
 For Porous Granular Embankment (Special) and drainage treatment details, see sheet 2 of 23.
 For additional parapet details, see sheet 7 of 23.



SECTION C-C

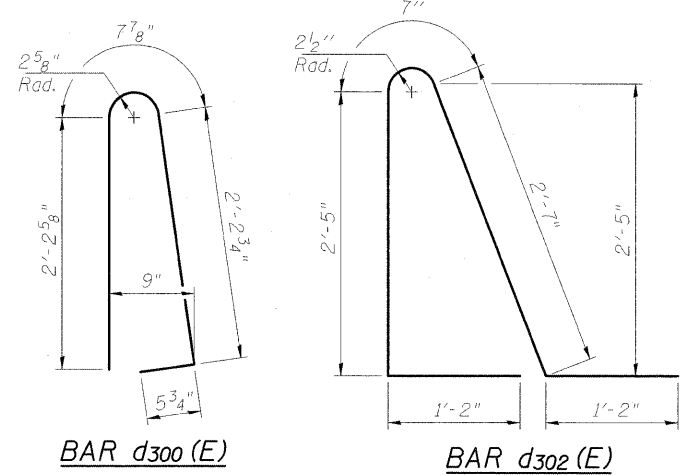


NEAR ABUTMENT

SECTION D-D

AT APPROACH FOOTING

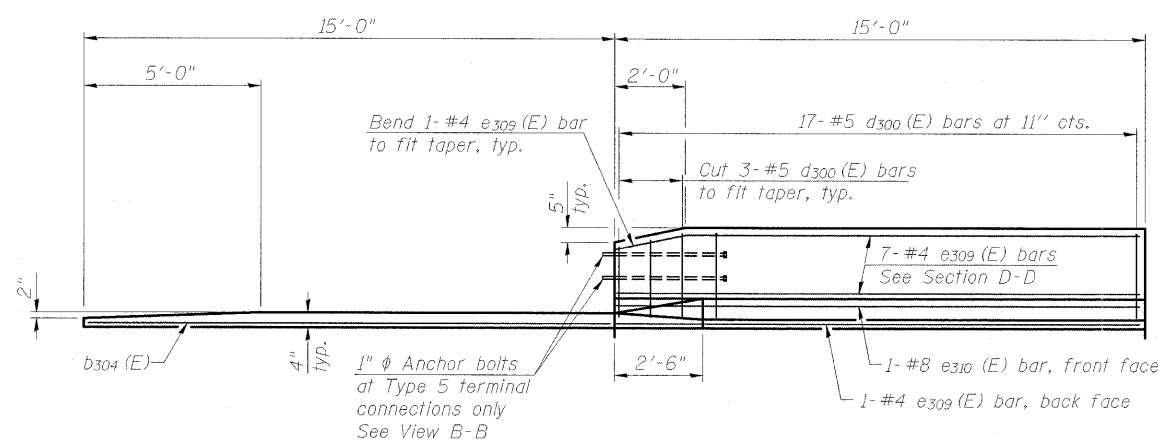
(See Plan for dimensions not shown)



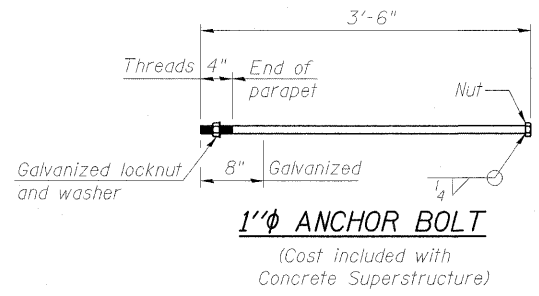
BAR d300 (E)

BAR d302 (E)

* Tilt #9 b306 (E) bars as required to maintain clearance.
 *** Cost included with Concrete Superstructure.

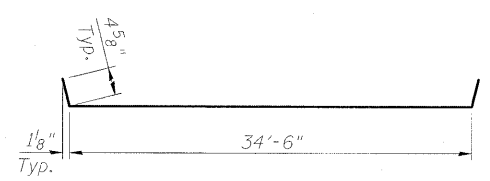


VIEW E-E

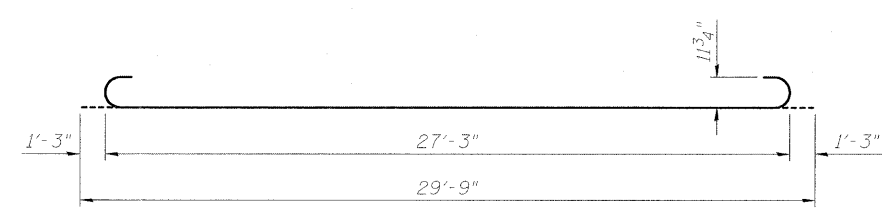


1" diameter ANCHOR BOLT

(Cost included with Concrete Superstructure)



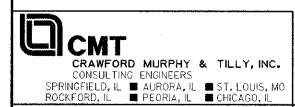
BAR a303 (E)



BAR b306 (E)

TWO APPROACHES
 BILL OF MATERIAL

Bar	No.	Size	Length	Shape
a303 (E)	50	#4	35'-3"	U
a304 (E)	92	#5	34'-8"	—
a305 (E)	48	#6	6'-6"	—
b305 (E)	44	#4	29'-8"	—
b306 (E)	128	#9	29'-9"	U
b303 (E)	4	#4	14'-8"	—
b304 (E)	4	#4	14'-4"	—
d300 (E)	68	#5	5'-7"	Δ
d302 (E)	68	#5	7'-11"	Δ
e309 (E)	32	#4	14'-8"	—
e310 (E)	4	#8	14'-8"	—
t300 (E)	112	#4	12'-3"	—
w300 (E)	80	#5	34'-8"	—
Structure Excavation			Cu. Yd.	32.6
Concrete Superstructure			Cu. Yd.	93.0
Concrete Structures			Cu. Yd.	21.7
Bridge Deck Grooving			Sq. Yd.	160
Protective Coat			Sq. Yd.	207
Reinforcement Bars, Epoxy Coated			Pound	24,110



FILE NAME = ...VAPP SLAB DETAILS.2.010.dgn
 USER NAME = Rob Heady
 PLOT SCALE =
 PLOT DATE = 10/7/2011

DESIGNED - BPD
 CHECKED - REB
 DRAWN - GLD
 CHECKED - BPD

REVISIED -
 REVISIED -
 REVISIED -
 REVISIED -

STATE OF ILLINOIS
 DEPARTMENT OF TRANSPORTATION

BRIDGE APPROACH SLAB DETAILS 2
 STRUCTURE NO. 100-0097
 SHEET NO. 10 OF 23 SHEETS

F.A. RTE.	SECTION	COUNTY	TOTAL SHEETS	SHEET NO.
•	(X1-6-2)HB-1	WILLIAMSON	968	670
• F.A.I. 57 AND F.A.P. 331			CONTRACT NO. 78182	
ILLINOIS FED. AID PROJECT				