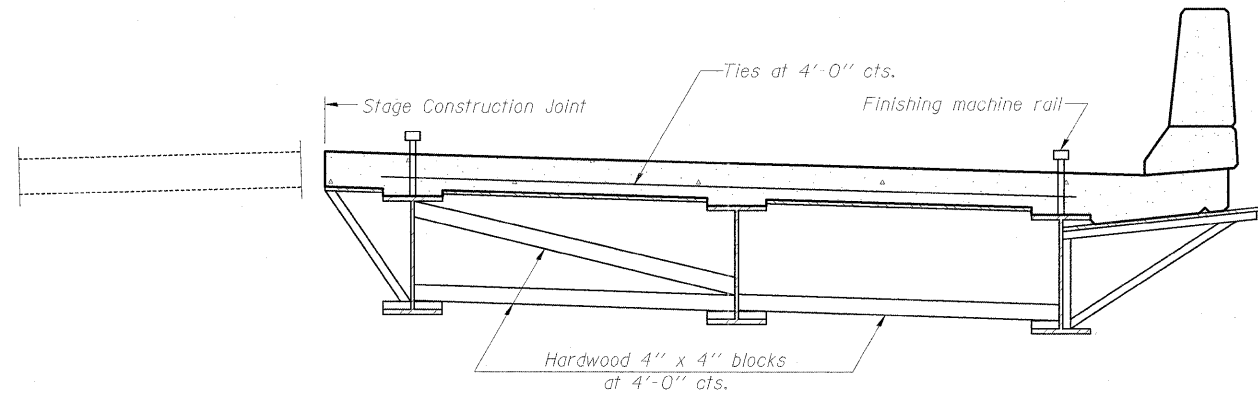


When cantilever forming brackets are used, the work shall be done according to Article 503.06(b) of the Standard Specifications, except as modified below and in the details shown on this sheet.

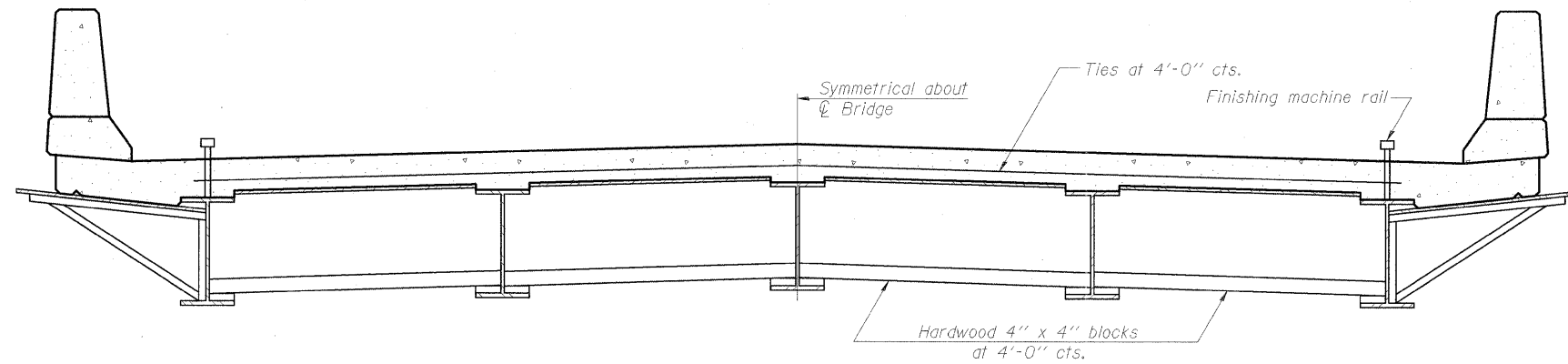
The finishing machine rails shall be placed on the top flange of the exterior beams.

The beams or girders, supporting cantilever forming brackets, shall be tied together at 4 foot intervals.

For Standard construction, or Stage Construction the Hardwood bracing materials shall be placed as shown between webs of beams in each bay.



**FORM BRACES FOR  
STAGE CONSTRUCTION**



**FORM BRACES FOR  
STANDARD CONSTRUCTION**

**CMT**  
CRAWFORD MURPHY & TILLY, INC.  
CONSULTING ENGINEERS  
SPRINGFIELD, IL ■ AURORA, IL ■ ST. LOUIS, MO  
ROCKFORD, IL ■ PEORIA, IL ■ CHICAGO, IL

SB-1

7-1-10

FILE NAME =  
...Ramp IV.CANT\_FORM\_BRACK.01.dgn

USER NAME = Rob Heady  
PLOT SCALE =  
PLOT DATE = 10/7/2011

DESIGNED - BPD  
CHECKED - REB  
DRAWN - GLD  
CHECKED - BPD

REVISED -  
REVISED -  
REVISED -  
REVISED -

**STATE OF ILLINOIS  
DEPARTMENT OF TRANSPORTATION**

**CANTILEVER FORMING BRACKETS  
STRUCTURE NO. 100-0097**

SHEET NO. 20 OF 23 SHEETS

F.A. RTE.	SECTION	COUNTY	TOTAL SHEETS	SHEET NO.
*	IX1-6-2)HB-1	WILLIAMSON	968	680
* F.A.I. 57 AND F.A.P. 331			CONTRACT NO. 78182	
ILLINOIS FED. AID PROJECT				