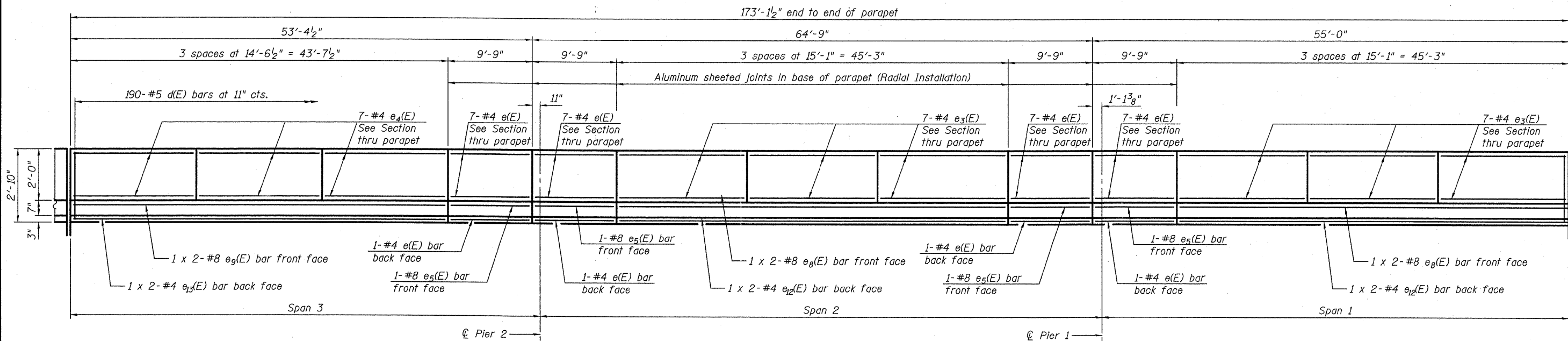


INSIDE ELEVATION OF NORTH PARAPET - LOOKING NORTH

(Horizontal dimensions are along outside face of parapet)



INSIDE ELEVATION OF SOUTH PARAPET - LOOKING SOUTH

(Horizontal dimensions are along outside face of parapet)

MINIMUM BAR LAP

(Parapet)
 #4 bar = 2'-0"
 #8 bar = 5'-2"

Notes:
 See sheet 9 of 33 for parapet joint details.
 See sheet 12 of 33 for details at expansion device.

EFK Moen, LLC
 Civil Engineering Design
 331 Salem Place, Suite 225
 Fairview Heights, IL 62208
 Phone 618-206-4250

FILE NAME = 1000098-78182-088-Super_Details1.dgn
 PLOT SCALE = 0.1" = 1' / IN.
 PLOT DATE = 9/7/2011

USER NAME = jo
 DESIGNED - CTW
 CHECKED - CDL
 DRAWN - DP
 DATE - 9/7/2011

REVISED -
 REVISED -
 REVISED -
 REVISED -

STATE OF ILLINOIS
 DEPARTMENT OF TRANSPORTATION

SUPERSTRUCTURE DETAILS
STRUCTURE NO. 100-0098
 SHEET NO. 8 OF 33 SHEETS

F.A.I. RTE.	SECTION	COUNTY	TOTAL SHEETS	SHEET NO.
57	(X1-6-2)HB-2	WILLIAMSON	968	691
CONTRACT NO. 78182				
ILLINOIS FED. AID PROJECT				

PRINT DATE: 9/7/2011 2:18:33 PM z:\1000098-78182-088-Super_Details1.dgn