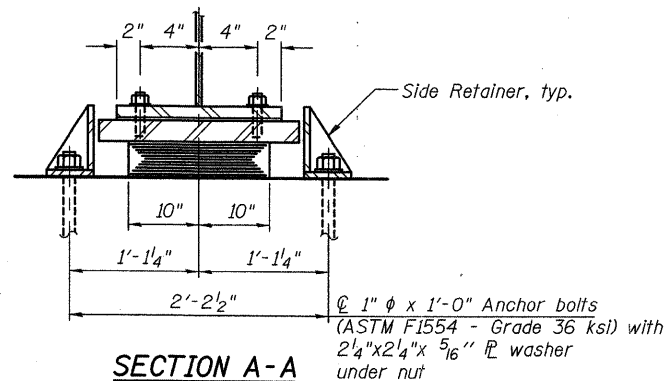
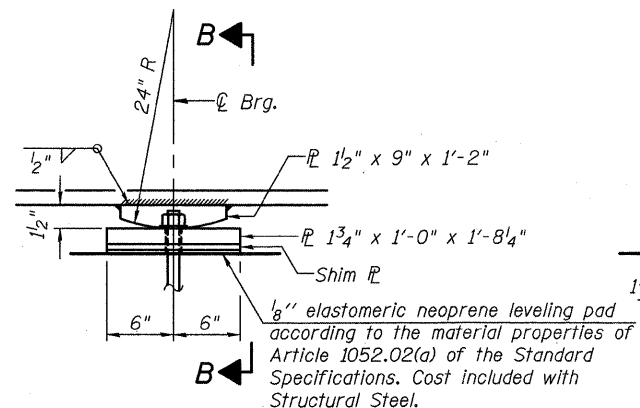


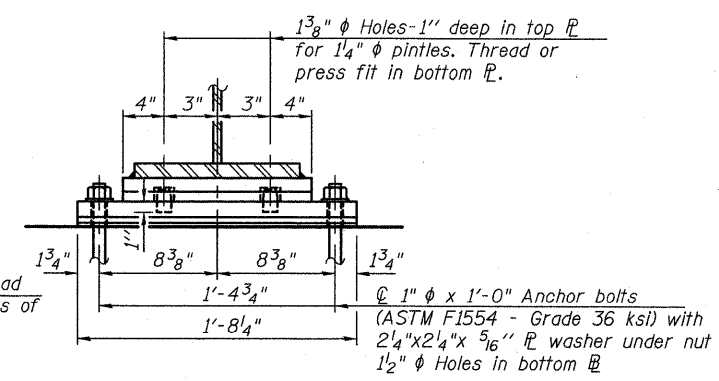
ELEVATION AT PIER 1



SECTION A-A

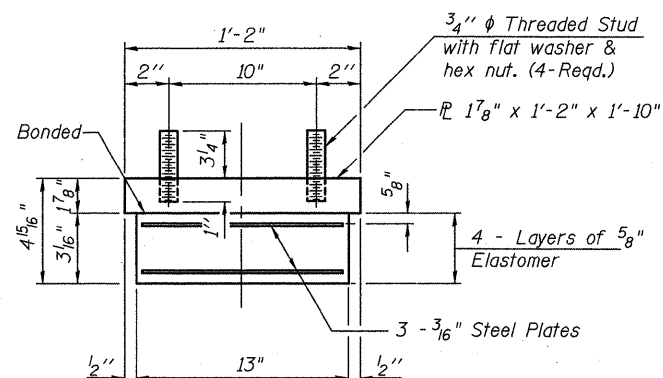


ELEVATION AT PIER 2



SECTION B-B

TYPE I ELASTOMERIC EXP. BRG.

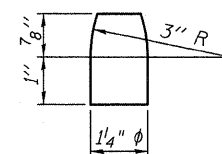


BEARING ASSEMBLY

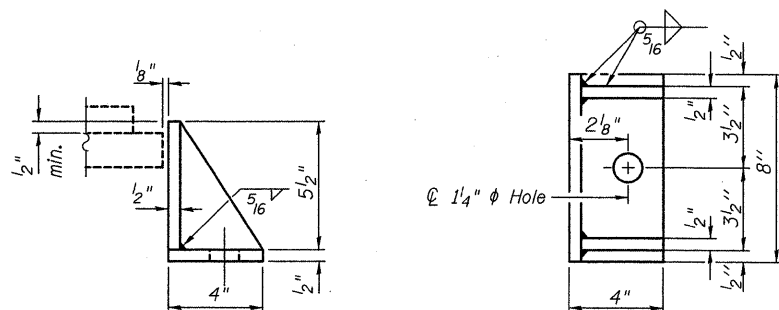
Note:
Shim plates shall not be placed under Bearing Assembly.

Notes:
Anchor bolts shall be ASTM F1554 all-thread (or an Engineer-approved alternate material) of the grade(s) and diameter(s) specified. ASTM A307 Grade C anchor bolts may be used in lieu of ASTM F1554 Grade 36 (Fy=36ksi). The corresponding specified grade of AASHTO M314 anchor bolts may be used in lieu of ASTM F1554.
Anchor bolts at fixed bearings may be either cast in place or installed in holes drilled after the supported member is in place.
Anchor bolts for side retainers may be cast in place or installed in holes drilled before or after members are in place.
Drilled and set anchor bolts shall be installed according to Article 521.06 of the Standard Specifications.
Side retainers and other steel members required for the elastomeric bearing assembly shall be included in the cost of Elastomeric Bearing Assembly, Type I.
The structural steel plates of the Bearing Assembly shall conform to requirements of AASHTO M270 Grade 50.
Two 1/8 in. adjusting shims shall be provided for each bearing in addition to all other plates or shims and placed as shown on bearing details.
The anchor bolt sizes and grades shown constitute a calculated seismic structural fuse. Substitution of higher diameter and/or grade anchor bolts will not be allowed.
See sheets 25 and 27 of 33 for bearing orientations and anchor bolt layout dimensions.

FIXED BEARING



PINTLE



SIDE RETAINER

Equivalent rolled angle with stiffeners will be allowed in lieu of welded plates.

BILL OF MATERIAL

Item	Unit	Total
Elastomeric Bearing Assembly Type I	Each	5
Anchor Bolts, 1"	Each	20

EFK Moen, LLC
Civil Engineering Design
331 Salem Place, Suite 225
Fairview Heights, IL 62208
Phone 618-206-4250

PRINT DATE: 9/7/2011 2:18:52 PM z:\180235 1-57 and 113 interchange\p\dgn\brdga\1\plotsheets\1000098-78182-018.Bearing_Details_Piers.dgn

FILE NAME = 1000098-78182-018.Bearing_Details_Piers.dgn	USER NAME = jo	DESIGNED - CTW	REVISIONS -
		CHECKED - CDL	REVISIONS -
		DRAWN - DP	REVISIONS -
		DATE - 9/7/2011	REVISIONS -

STATE OF ILLINOIS
DEPARTMENT OF TRANSPORTATION

BEARING DETAILS - PIERS
STRUCTURE NO. 100-0098

SHEET NO. 18 OF 33 SHEETS

F.A.I. RTE. 57	SECTION (X1-6-2)HB-2	COUNTY WILLIAMSON	TOTAL SHEETS 968	SHEET NO. 701
				CONTRACT NO. 78182
ILLINOIS FED. AID PROJECT				