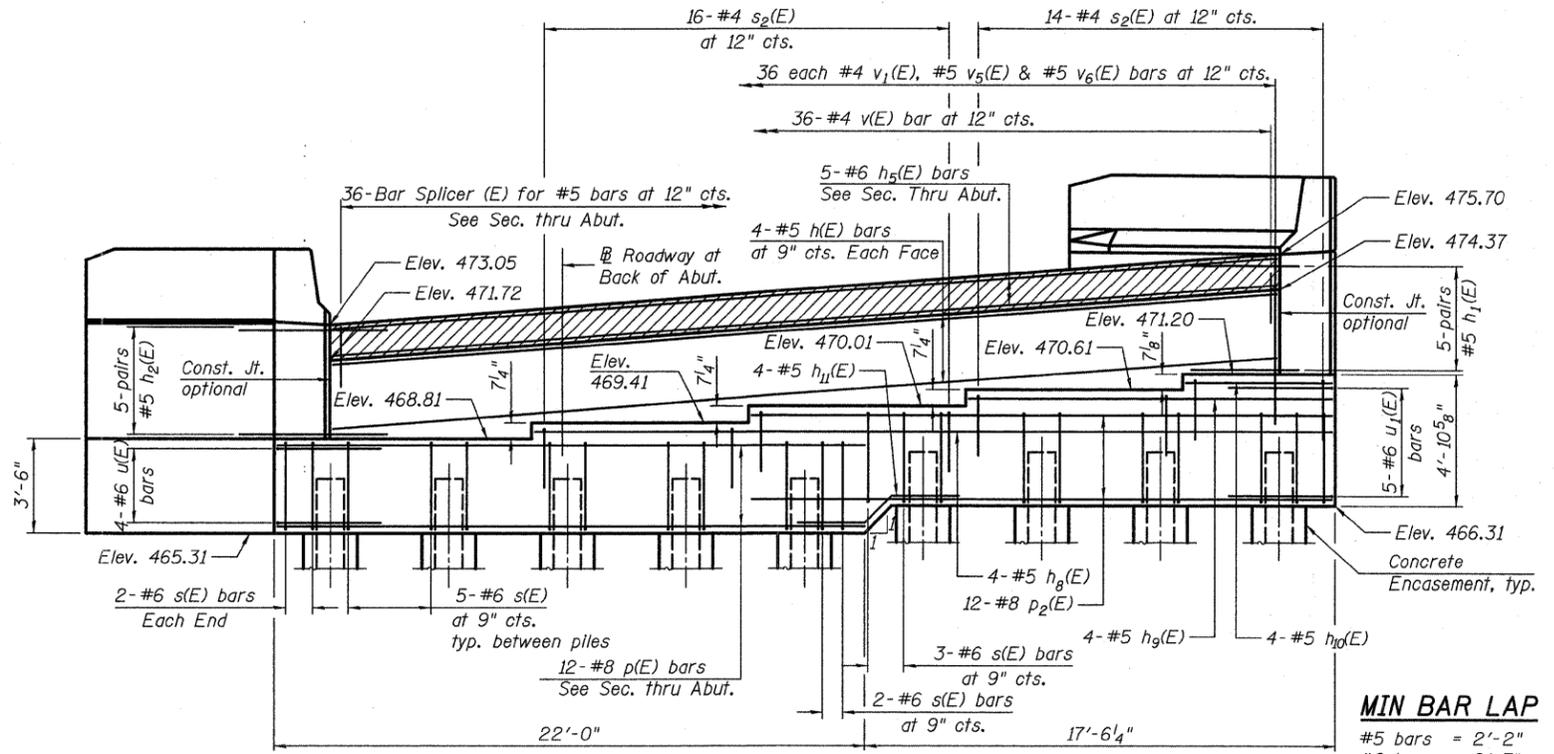
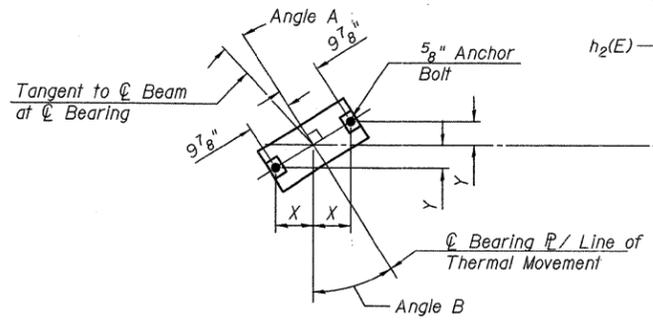


SEC. THRU ABUT.



ELEVATION

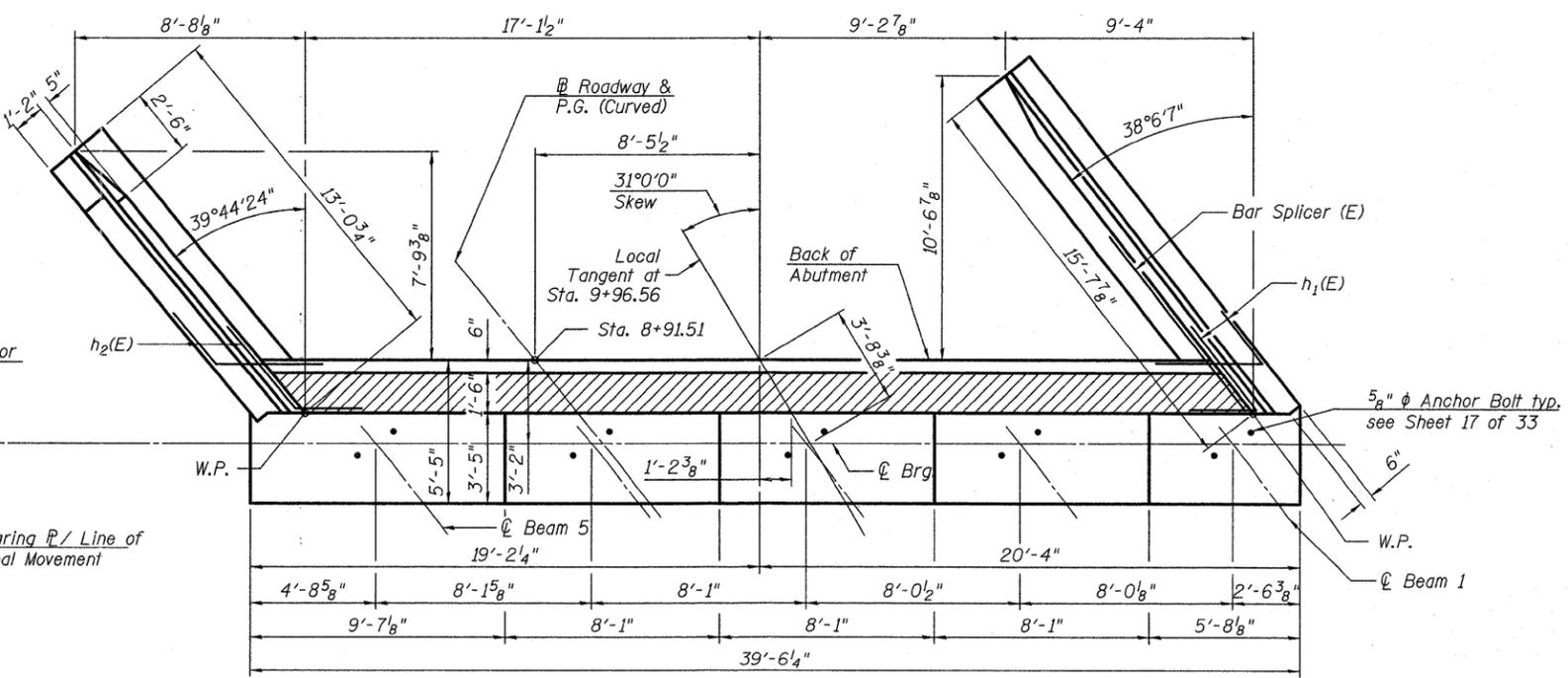
MIN BAR LAP
 #5 bars = 2'-2"
 #6 bars = 2'-7"



ANCHOR BOLT LAYOUT

ANCHOR BOLT LAYOUT DIMENSIONS

	Beam 1	Beam 2	Beam 3	Beam 4	Beam 5
Angle A	4°16'	4°19'	4°22'	4°25'	4°28'
Angle B	33°16'	33°34'	33°53'	34°12'	34°32'
X	8 1/4"	8 1/4"	8 1/4"	8 1/4"	8 1/4"
Y	5 3/8"	5 1/2"	5 1/2"	5 1/2"	5 3/8"



TOP VIEW

11:56:00 AM Z:\10035 1-57 and 11.13 Interchange.dgn\Bridges\10035-1-57-West-Abutment.dgn
 1000098-78182-019-West-Abutment.dgn
 PRINT DATE: 9/28/2011

EFK Moen, LLC
 Civil Engineering Design
 331 Salem Place, Suite 225
 Fairview Heights, IL 62208
 Phone 618-206-4250

FILE NAME = 1000098-78182-019-West-Abutment.dgn	USER NAME = cdl	DESIGNED - CTW	REVISD -	STATE OF ILLINOIS DEPARTMENT OF TRANSPORTATION	WEST ABUTMENT STRUCTURE NO. 100-0098 SHEET NO. 19 OF 33 SHEETS	F.A.I. RTE. 57	SECTION (X1-6-2)HB-2	COUNTY WILLIAMSON	TOTAL SHEETS 968	SHEET NO. 702	CONTRACT NO. 78182
PLOT SCALE = 0.1/0.000 '1' / IN.	DRAWN - DP	REVISD -	DATE - 9/28/2011			ILLINOIS FED. AID PROJECT					
PLOT DATE = 9/28/2011	DATE - 9/28/2011	REVISD -									