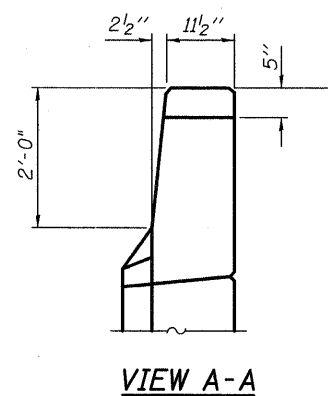
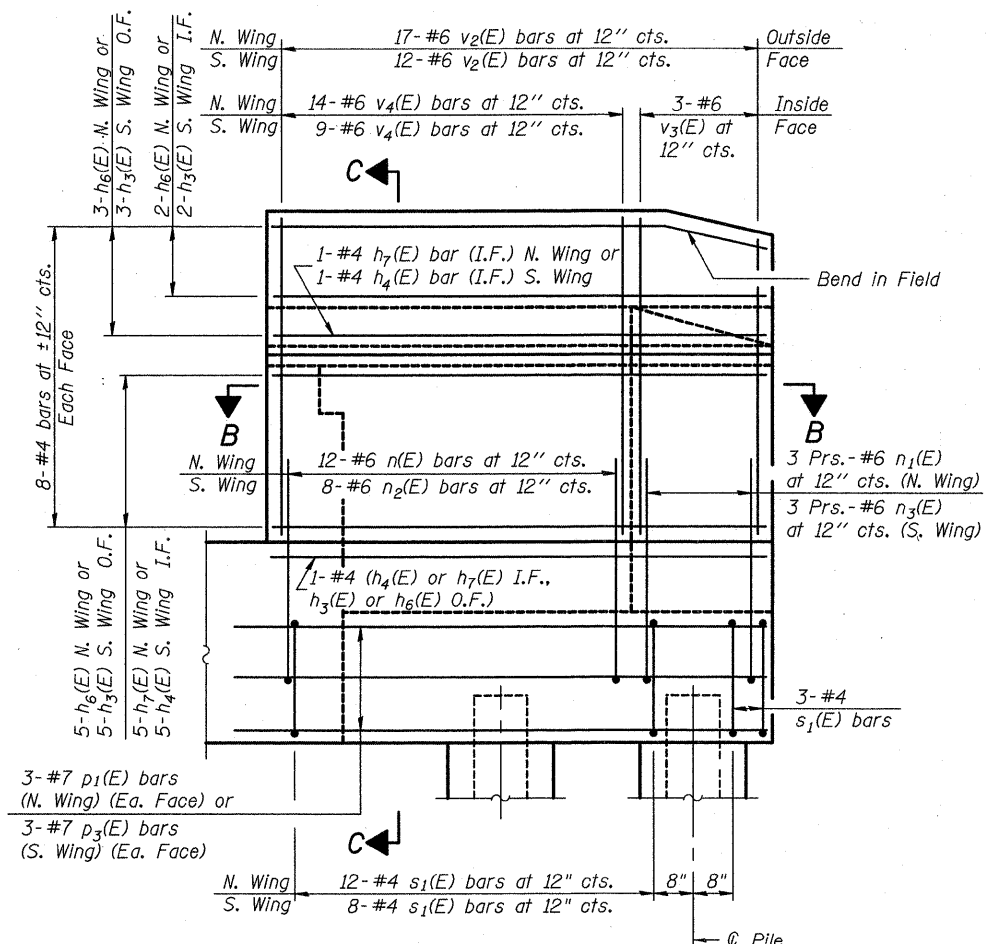


WING WALL ELEVATION
Showing Dimensions

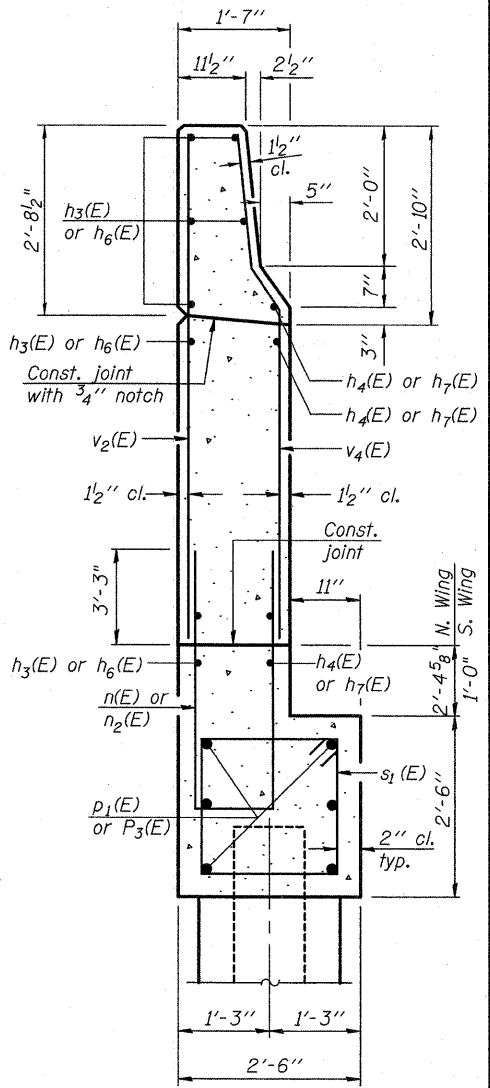
* Measured along outside face of parapet



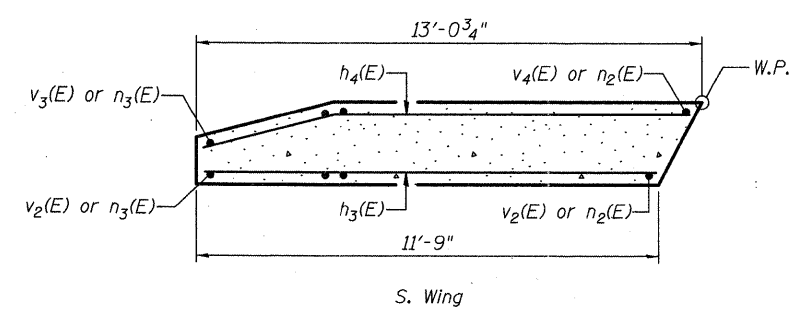
VIEW A-A



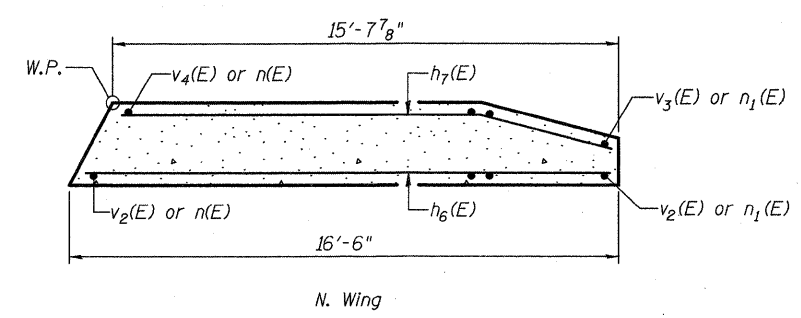
WING WALL ELEVATION
Showing Reinforcement



SECTION C-C



S. Wing



N. Wing

SECTION B-B

Notes:
 Hatched area to be poured after superstructure false work has been removed. Quantity of concrete included with Concrete Superstructure.
 Space reinforcement in cap to miss anchor bolts.
 Pour steps monolithically with cap.
 Quantity of concrete in end post included with Concrete Superstructure on sheet 9 of 33.
 For Concrete Encasement details, see sheet 29 of 33.
 The abutments shall have all exposed surfaces of backwalls, bridge seats and front faces of pile caps treated with Concrete Sealer.

(Sheet 3 of 3)

FILE NAME = 1000098-78182-21-West_Abutment.dgn
 USER NAME = ja
 DESIGNED - CTW
 CHECKED - CDL
 DRAWN - DP
 DATE - 9/7/2011
 PLOT SCALE = 0.10000 '1' / IN.
 PLOT DATE = 9/7/2011

EFK Moen, LLC
 Civil Engineering Design
 331 Salem Place, Suite 225
 Fairview Heights, IL 62208
 Phone 618-206-4250

STATE OF ILLINOIS
DEPARTMENT OF TRANSPORTATION

WEST ABUTMENT
STRUCTURE NO. 100-0098
 SHEET NO. 21 OF 33 SHEETS

F.A.I. RTE.	SECTION	COUNTY	TOTAL SHEETS	SHEET NO.
57	OXI-6-2JHB-2	WILLIAMSON	968	704
CONTRACT NO. 78182			ILLINOIS FED. AID PROJECT	