

PRINT DATE: 9/7/2011 2:59:42 PM z:\100035 1-57 and 113 interchange\bridge\final\plotsheets\1000099-78182-024-East_Abutment.dgn

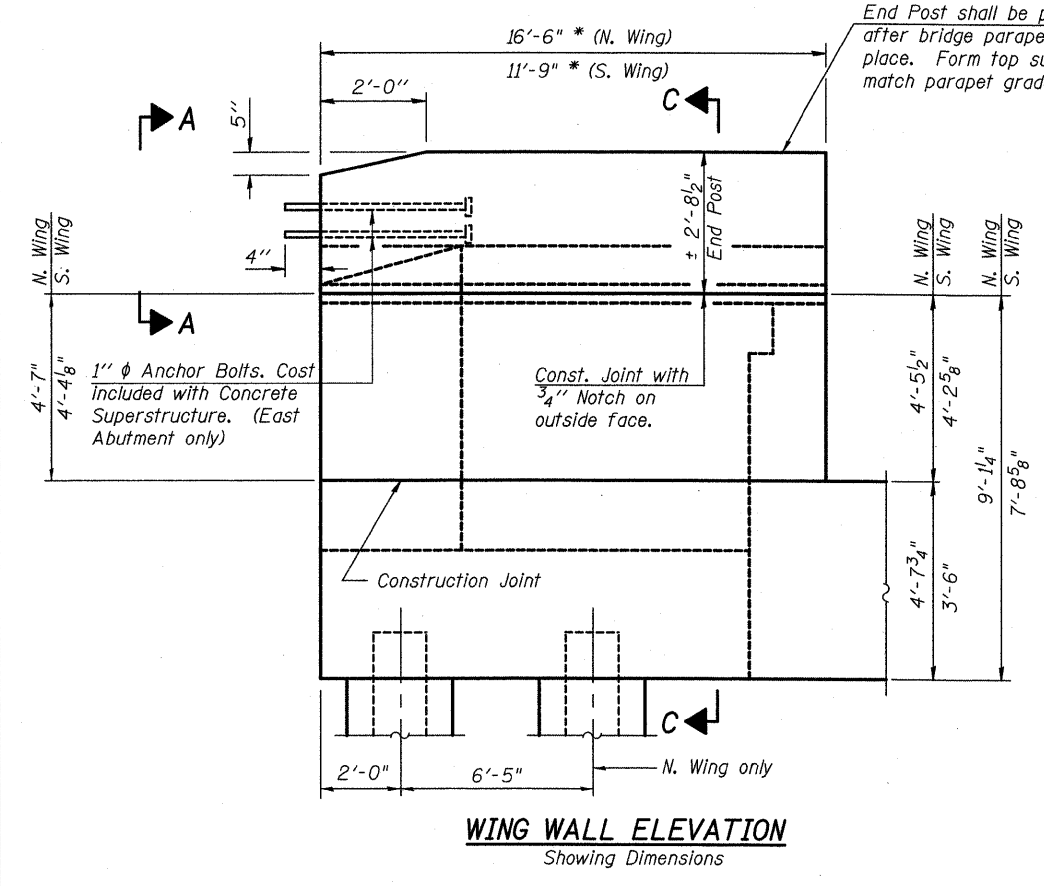
EFK Moen, LLC
 Civil Engineering Design
 331 Salem Place, Suite 225
 Fairview Heights, IL 62208
 Phone 618-206-4250

FILE NAME = 1000099-78182-024-East_Abutment.dgn	USER NAME = ja	DESIGNED - CTW	REVISED -
PLOT SCALE = 0:1.0000 '1' / IN.	CHECKED - CDL	REVISIONS -	REVISIONS -
PLOT DATE = 9/7/2011	DRAWN - DP	DATE - 9/7/2011	REVISIONS -

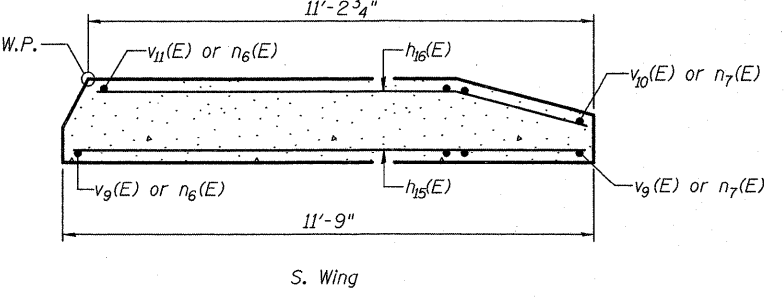
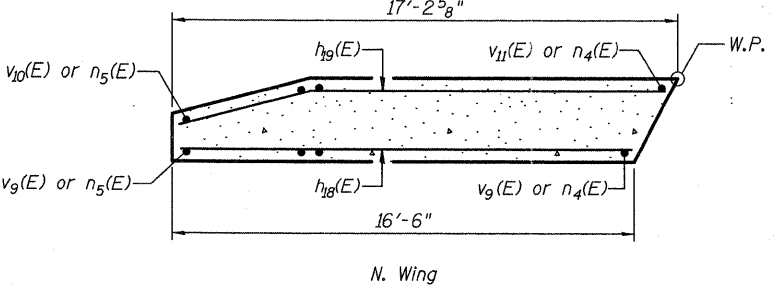
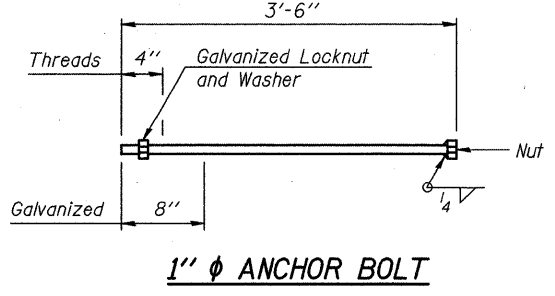
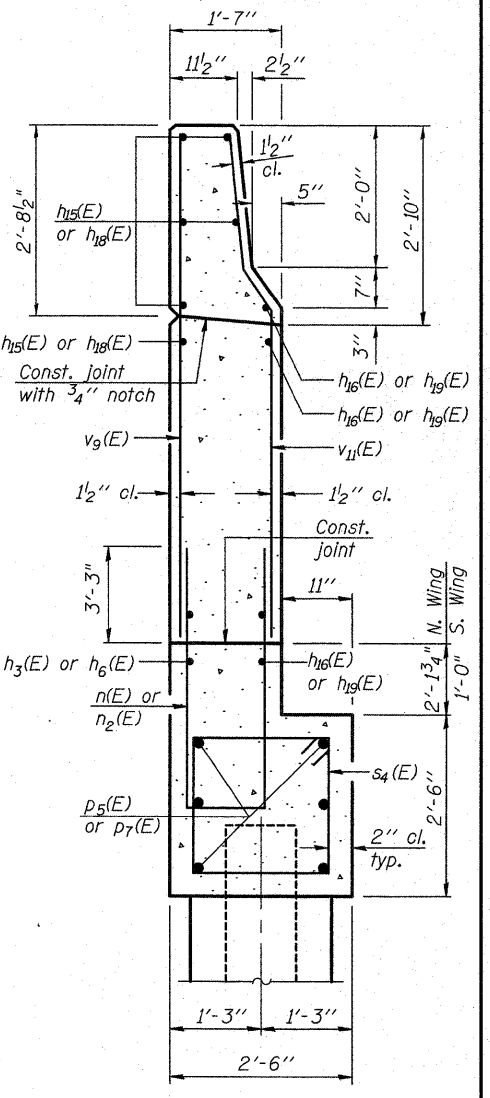
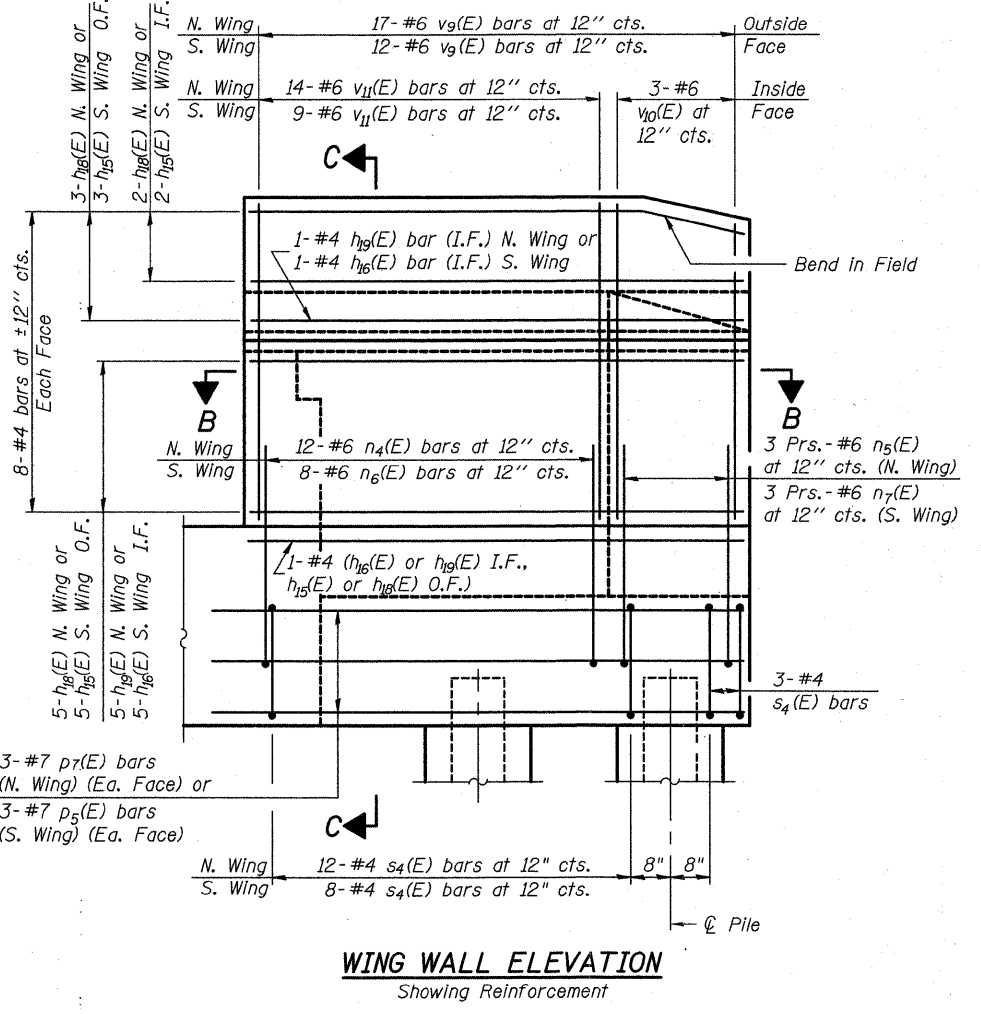
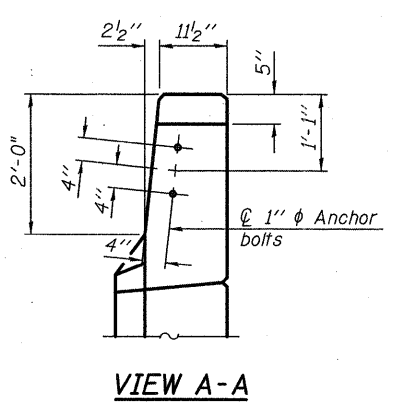
STATE OF ILLINOIS
DEPARTMENT OF TRANSPORTATION

EAST ABUTMENT
STRUCTURE NO. 100-0098
 SHEET NO. 24 OF 33 SHEETS

F.A.I. RTE.	SECTION	COUNTY	TOTAL SHEETS	SHEET NO.
57	(X1)-6-21HB-2	WILLIAMSON	968	707
CONTRACT NO. 78182				
ILLINOIS FED. AID PROJECT				



* Measured along outside face of parapet



Notes:
 Hatched area to be poured after superstructure false work has been removed. Quantity of concrete included with Concrete Superstructure.
 Space reinforcement in cap to miss anchor bolts.
 Pour steps monolithically with cap.
 Quantity of concrete in end post included with Concrete Superstructure on sheet 9 of 33.
 For Concrete Encasement details, see sheet 29 of 33.
 The abutments shall have all exposed surfaces of backwalls, bridge seats and front faces of pile caps treated with Concrete Sealer.

(Sheet 3 of 3)