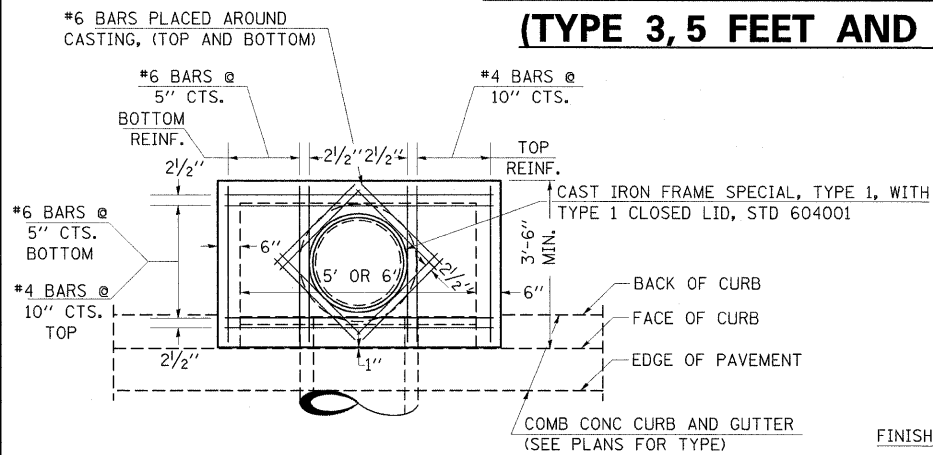
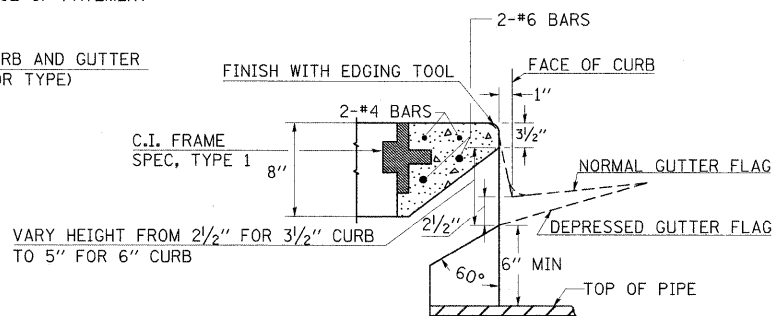


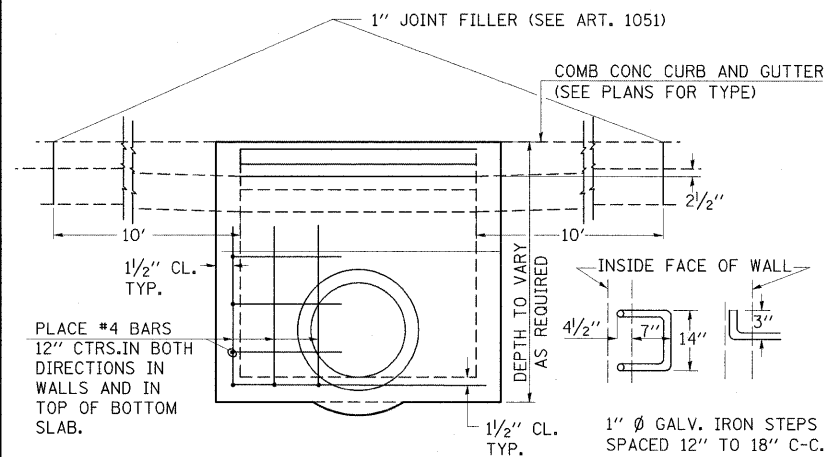
DETAILS OF INLET, SPECIAL, NO. 1 (TYPE 3, 5 FEET AND 6 FEET)



PLAN



SECTION AT WEIR



ELEVATION

DESIGN	PIPE DIA	"D"
A	18" & LESS	2'-6"
B	21" & 24"	3'-0"
C	27" & 30"	3'-7"
D	33" & 36"	4'-2"
E	42"	4'-9"
F	48"	5'-0"
G	54"	6'-1"

NOTES:

PROVIDE 1/2" CLEARANCE TYP. ALL REINFORCEMENT UNLESS OTHERWISE SPECIFIED.

CLASS SI CONCRETE SHALL BE USED THROUGHOUT. SET FACE OF INLET 1" BEHIND FACE OF CURB. DEPRESS GUTTER FLOWLINE AT INLET 2 1/2" BELOW NORMAL GUTTER FLOWLINE. CONSTRUCT TRANSITION IN FLOWLINE IN 10 FEET EACH SIDE OF INLET. PIPES TO BE CONNECTED TO INLET AS SHOWN ON STORM SEWER LAYOUT.

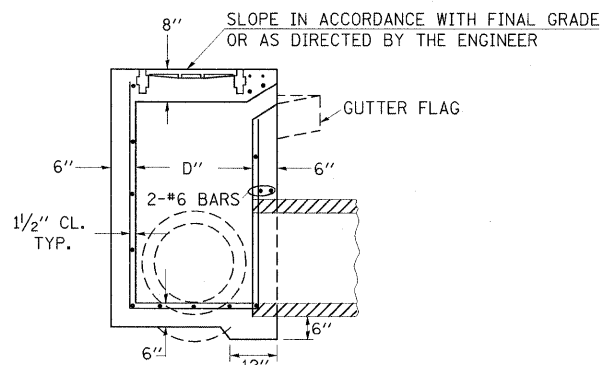
INLETS WILL BE PAID FOR AT THE CONTRACT UNIT PRICE EACH FOR INLET, SPECIAL, NO. 1 WHICH PRICE SHALL INCLUDE THE CAST IRON FRAME, SPECIAL, TYPE 1 WITH TYPE 1 CLOSED LID, THE REINFORCEMENT BARS, METAL STEPS AND JOINT FILLER.

**THE GALVONIZED IRON STEPS AS DETAILED HEREON ARE TYPICAL. STEPS OF OTHER DESIGN AND MATERIAL THAT WILL CONFORM TO THE MINIMUM REQUIREMENTS OF THE STEPS SHOWN. MAY BE USED WHEN APPROVED BY THE ENGINEER.

IF THE INLET IS NOT CAST IN PLACE THEN THE INLET SHALL BE PRODUCED ACCORDING TO THE DEPARTMENT'S CURRENT POLICY MEMORANDUM, "QUALITY CONTROL/QUALITY ASSURANCE PROGRAM FOR PRECAST CONCRETE PRODUCTS".

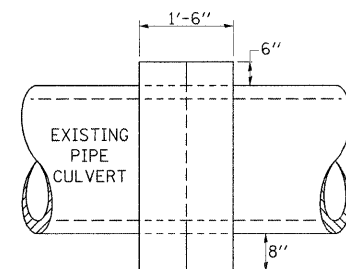
NOTE TO DESIGNER:

WHEN USING THIS STANDARD THE DESIGNER SHOULD ALSO CHECK BDE SPECIAL PROVISION 419 "PRECAST CONCRETE PRODUCTS".

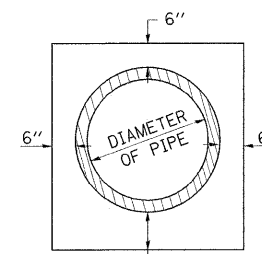


SECTION

DETAILS OF CONCRETE COLLAR PIPE TO PIPE



SIDE VIEW



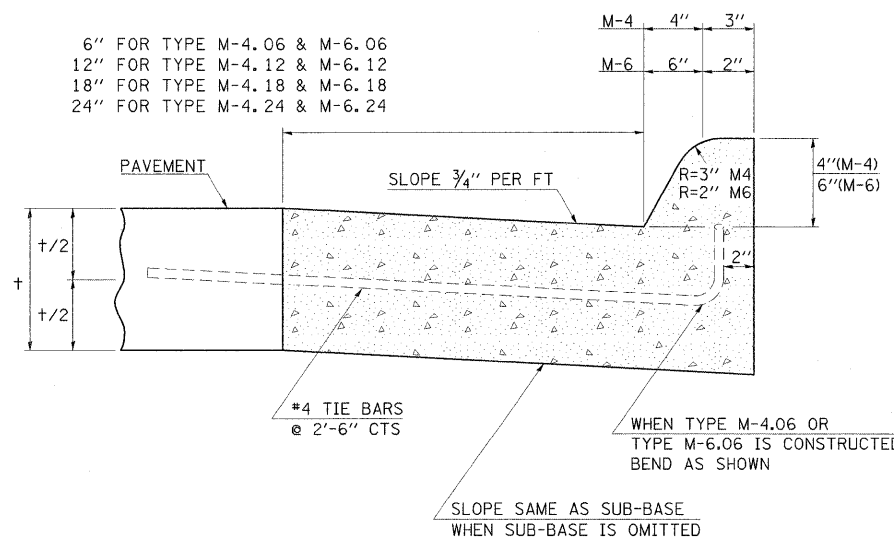
END VIEW

TABULATION

DIAMETER OF PIPE	CL SI CONC CU YDS EST
12"	0.24
15"	0.29
18"	0.32
24"	0.44
30"	0.56
36"	0.66
42"	0.80
48"	0.93
54"	1.07
60"	1.22
72"	1.55

THE CONCRETE COLLAR SHALL BE PAID FOR AT THE CONTRACT UNIT PRICE PER CUBIC YARD FOR CONCRETE COLLAR, AS SHOWN ON THE PLANS, WHICH PRICE SHALL INCLUDE THE REMOVAL OF SUCH PORTIONS THE EXISTING HEADWALLS AS MAY BE REQUIRED. CLASS SI CONCRETE SHALL BE USED THROUGHOUT.

MOUNTABLE CURB DETAIL



REVISIONS	
REDRAWN	2-15-89
REVISED	8-15-94
REVISED	1-19-99
REVISED	5-6-04
RESIZED	5-6-08

STD. 9-1

STD. 9-87

FILE NAME = ...N0978182-sht-details.dgn	USER NAME = Rob Heady	DESIGNED -	REVISED -
PLOT SCALE = 50,0000 ' / IN.		DRAWN -	REVISED -
PLOT DATE = 10/7/2011		CHECKED -	REVISED -
		DATE = 10/07/11	REVISED -

**STATE OF ILLINOIS
DEPARTMENT OF TRANSPORTATION**

SCALE: N/A	SHEET NO. OF SHEETS	STA. TO STA.
------------	---------------------	--------------

**DISTRICT DETAILS
I-57 AND IL ROUTE 13**

F.A. RTE.	SECTION	COUNTY	TOTAL SHEETS	SHEET NO.
* 01-6-2HBK-2, HB-1,2; 01-1R-1	WILLIAMSON	968	717	
* F.A.I. 57 AND F.A.P. 331				CONTRACT NO. 78182

REVISIONS	
DRAWN	1-10-91
REVISED	3-26-08
REVISED	