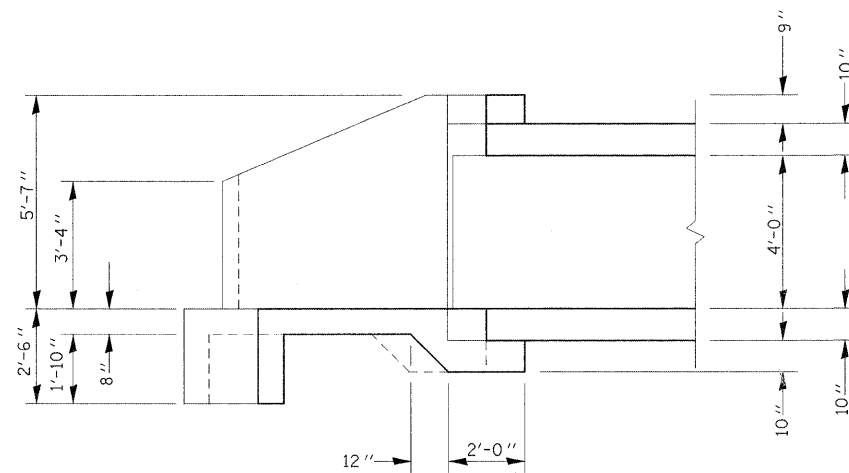
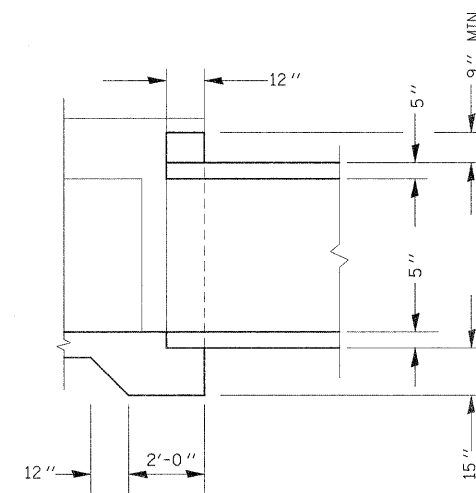


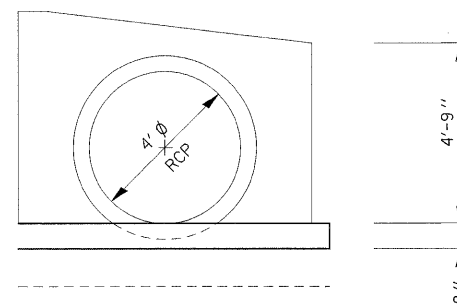
END ELEVATION



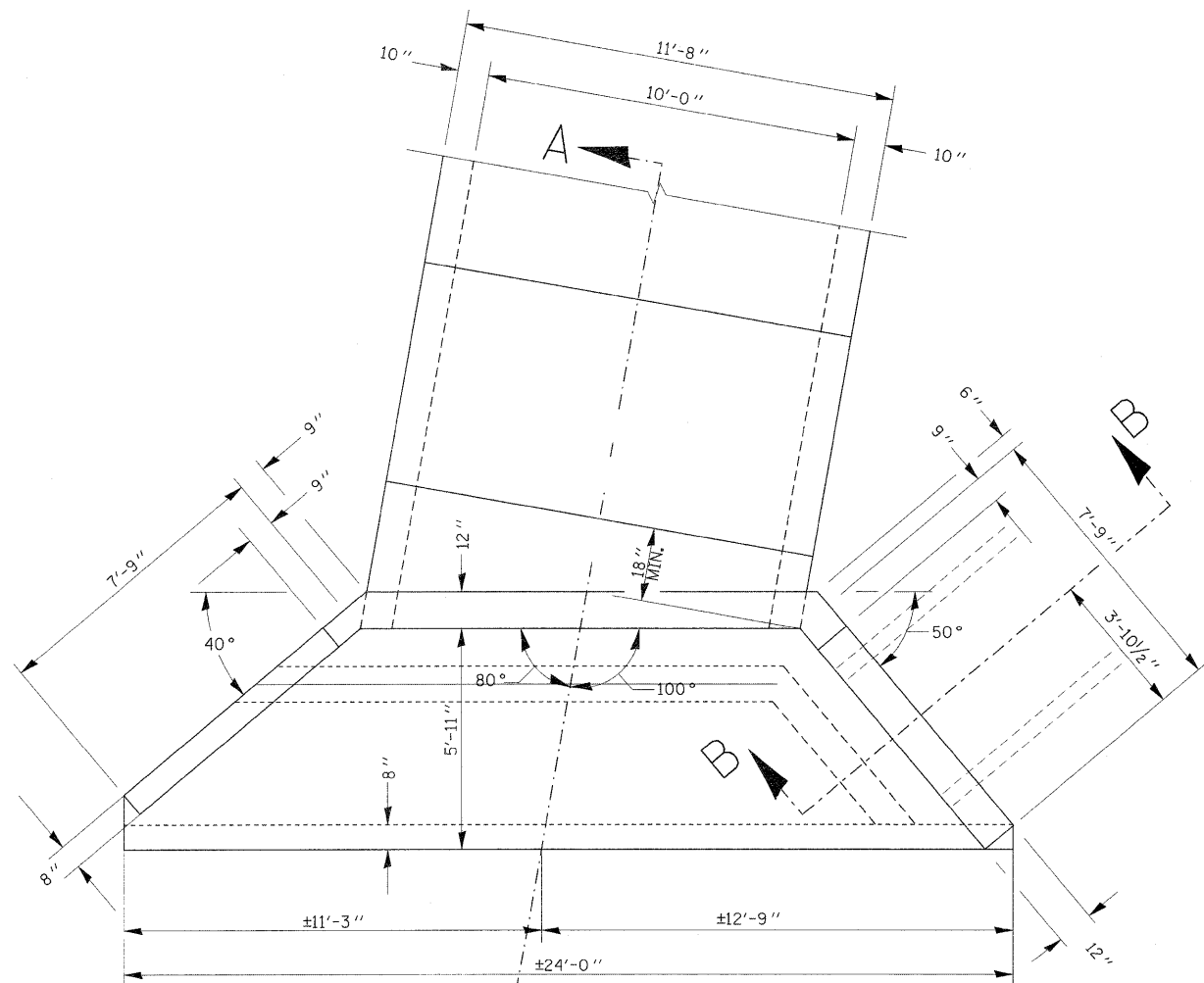
SECTION A-A



SECTION B-B



ELEVATION WEST WINGWALL



PLAN

NOTES
EXPOSED EDGES SHALL BE BEVELED 3/4".

FILE NAME =	USER NAME = detersingj	DESIGNED -	REVISED -	STATE OF ILLINOIS DEPARTMENT OF TRANSPORTATION	DOWNSTREAM HEADWALL CONCRETE DIMENSIONS			F.A.P. RTE.	SECTION	COUNTY	TOTAL SHEETS	SHEET NO.
c:\pwork\pwdata\detersingj\80265173\80265173-78255_sht_091-7846.pln.Default.dgn	PLOT SCALE = 50.0189' / in.	DRAWN -	REVISED -					885	13B-1	UNION	14	8
PLOT DATE = 11/7/2011	DATE -	CHECKED -	REVISED -		SCALE: SHEET OF SHEETS STA. TO STA.			CONTRACT NO. 78255				
					ILLINOIS FED. AID PROJECT							