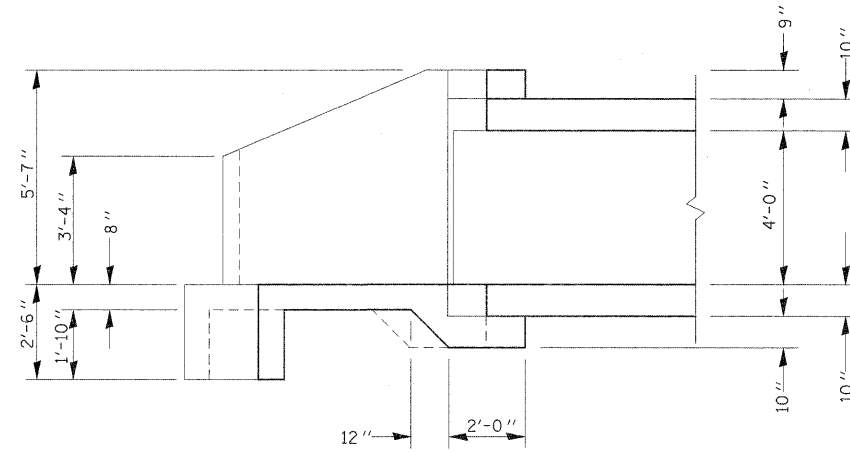
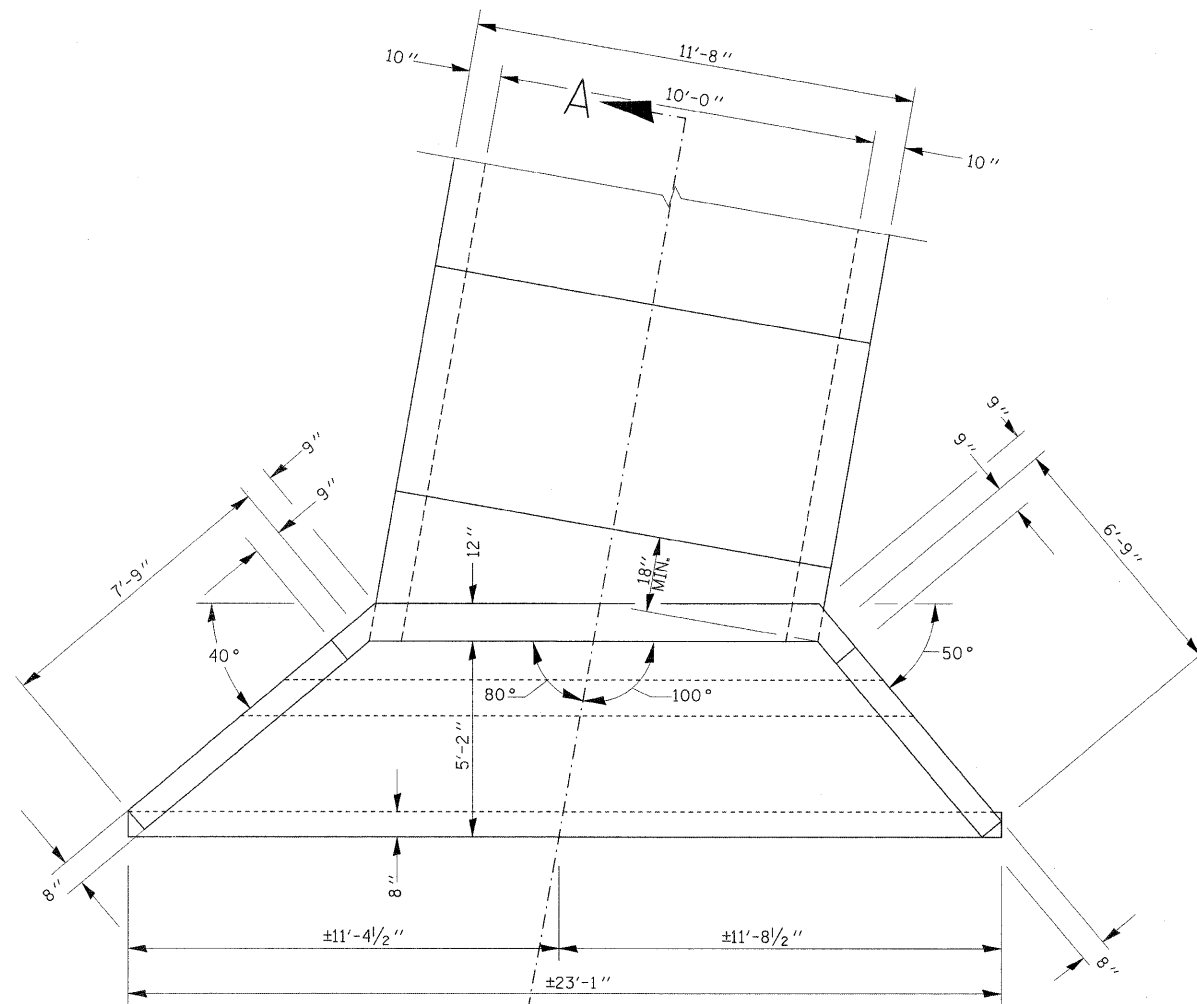


END ELEVATION



SECTION A-A



A  
PLAN

NOTES  
EXPOSED EDGES SHALL BE BEVELED  $\frac{3}{4}$ ".

FILE NAME =	USER NAME = detersingj	DESIGNED -	REVISED -	<b>STATE OF ILLINOIS DEPARTMENT OF TRANSPORTATION</b>	<b>UPSTREAM HEADWALL CONCRETE DIMENSIONS</b>	F.A.P. RTE.	SECTION	COUNTY	TOTAL SHEETS	SHEET NO.
c:\px\work\p\dot\detersingj\d8265173\br-78255_sht_091-7846.pln.Default.dgn	DRAWN -	REVISED -	885			13B-1	UNION	14	10	
PLOT SCALE = 50.0000 ' / in.	CHECKED -	REVISED -	CONTRACT NO. 78255							
PLOT DATE = 11/7/2011	DATE -	REVISED -	ILLINOIS FED. AID PROJECT							
						SCALE:	SHEET	OF	SHEETS	STA. TO STA.