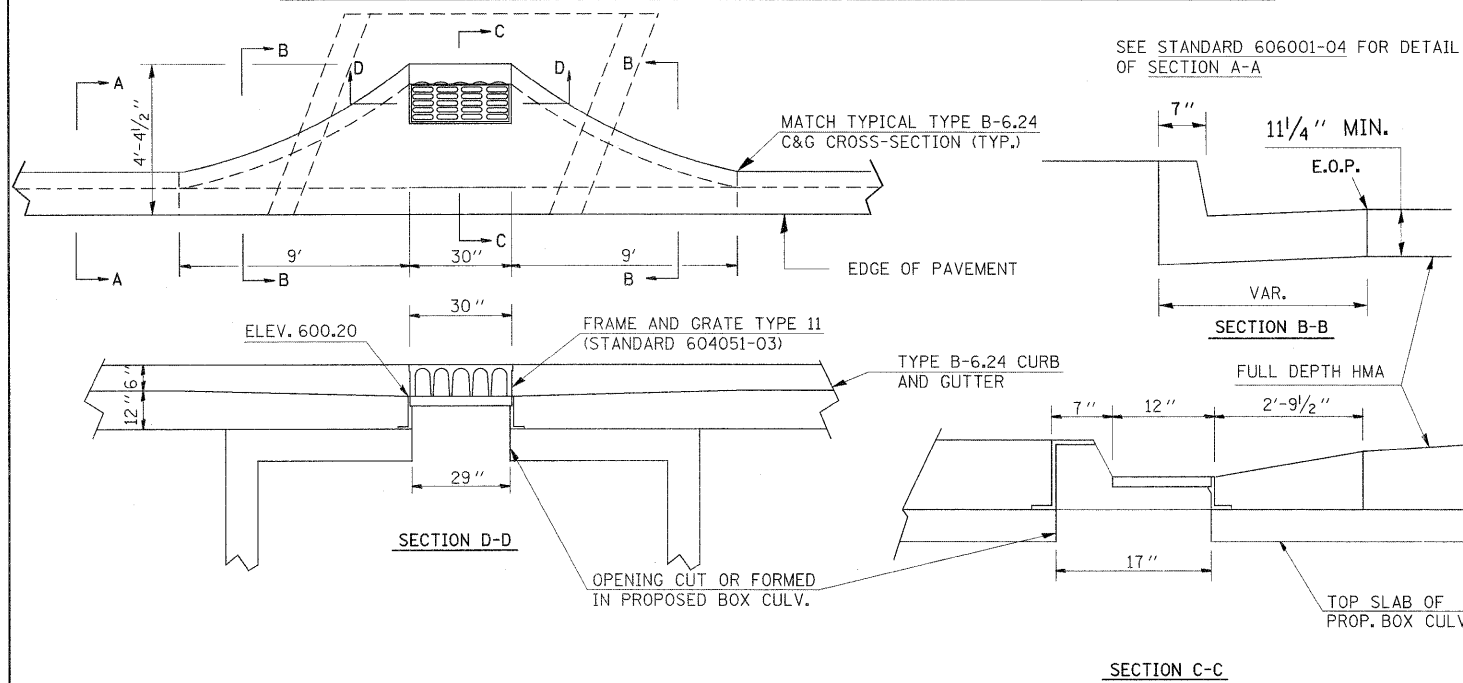


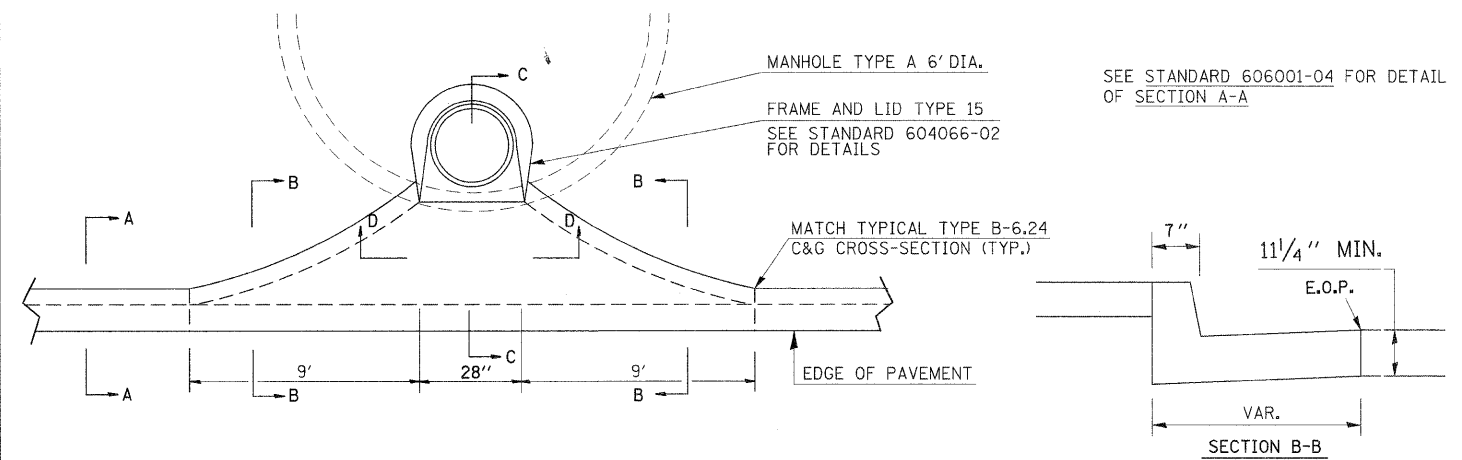
MODIFIED OUTLET FOR TYPE B GUTTER – LT STA 10+77.9



SEE STANDARD 606001-04 FOR DETAIL OF SECTION A-A

SEE STANDARD 606001-04 FOR DETAIL OF SECTION A-A

MODIFIED OUTLET FOR TYPE B GUTTER – RT. STA. 10+79.45

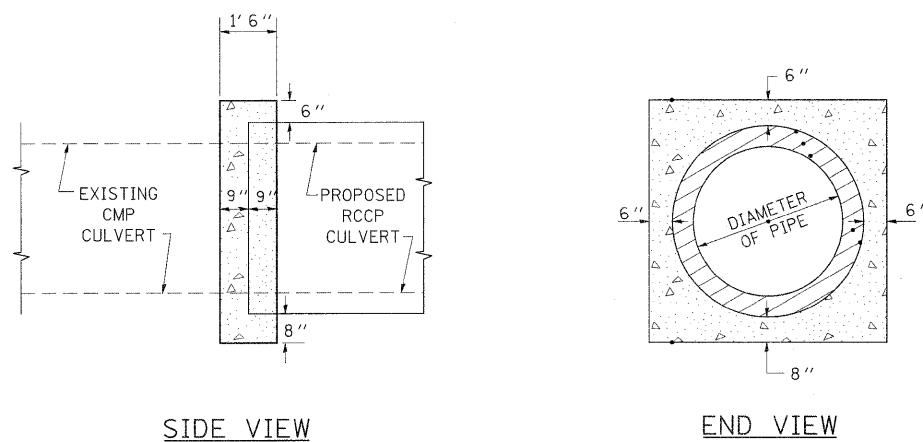


NOTES:

THE COST OF THE MODIFIED OUTLET SHALL BE INCLUDED IN THE CONTRACT UNIT PRICE PER FOOT FOR COMBINATION CONCRETE CURB AND GUTTER, TYPE B-6.24 WHICH PRICE SHALL INCLUDE FURNISHING AND PLACING ALL JOINTS, AND WELDED WIRE FABRIC REINFORCEMENT WHEN REQUIRED.

THE COST OF PROVIDING AN OPENING IN THE TOP OF THE PROPOSED BOX CULVERT IN THE LOCATION REQUIRED SHALL BE INCLUDED IN THE CONTRACT UNIT PRICE PER FOOT FOR PRECAST CONCRETE BOX CULVERTS 10' x 4'

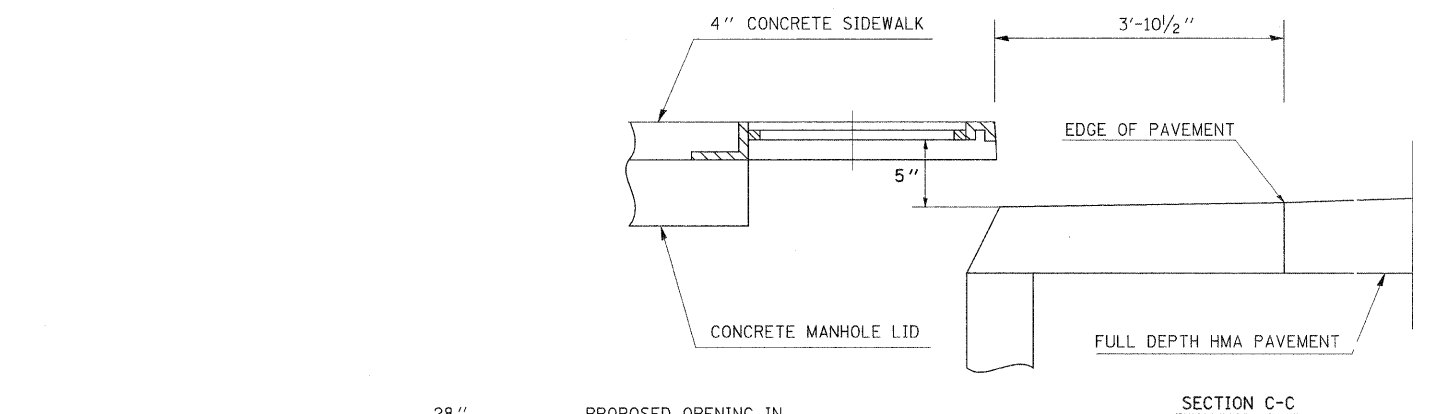
DETAILS OF CONCRETE COLLAR FOR PIPE CULVERT



QUANTITY ONE COLLAR

DIA OF PIPE	CLASS SI CONC CU YD (EST)
24"	0.30
30"	
36"	
48"	1.20

THE CONCRETE COLLAR SHALL BE PAID FOR AT THE CONTRACT UNIT PRICE PER CUBIC YARD FOR CONCRETE COLLAR, AS SHOWN ON THE PLANS. CLASS SI CONCRETE SHALL BE USED THROUGHOUT.



NOTE:

THE COST OF THE MODIFIED OUTLET SHALL BE INCLUDED IN THE CONTRACT UNIT PRICE PER FOOT FOR COMBINATION CONCRETE CURB AND GUTTER, TYPE B-6.24 WHICH PRICE SHALL INCLUDE FURNISHING AND PLACING ALL JOINTS, AND WELDED WIRE FABRIC REINFORCEMENT WHEN REQUIRED.

TO BE USED:

REVISIONS

DRAWN	7-2-90
REVISED	8-22-94
REVISED	3-26-08
REVISED	

STD. 9-77

FILE NAME	USER NAME	DESIGNED	REVISED
cr:\pwork\pwork\deterdingg\10265173\10265173-78255_sht_091-7046.pln.Default.dgn	deterdingg	-	-
		DRAWN	REVISED
		CHECKED	REVISED
		DATE	REVISED

**STATE OF ILLINOIS
DEPARTMENT OF TRANSPORTATION**

**MODIFIED OUTLET DETAIL &
DETAILS OF CONCRETE COLLAR**

SCALE: SHEET OF SHEETS STA. TO STA.

F.A.P. RTE.	SECTION	COUNTY	TOTAL SHEETS	SHEET NO.
885	13B-1	UNION	14	12
				CONTRACT NO. 78255
ILLINOIS FED. AID PROJECT				