

DETAIL OF PRECAST CONCRETE BOX CULVERT SECTION

(WITH LESS THAN 2 FEET OF COVER
AASHTO DESIGNATION M273)
DESIGN LOADING: HS-20-44

GENERAL NOTES

SHOP PLANS FOR THE REINFORCEMENT SHALL BE SUBMITTED IN ACCORDANCE WITH THE REQUIREMENTS OF ARTICLE 504.04 OF THE STANDARD SPECIFICATIONS.

MINIMUM CONCRETE STRENGTH SHALL BE 5000 PSI AFTER 28 DAYS.

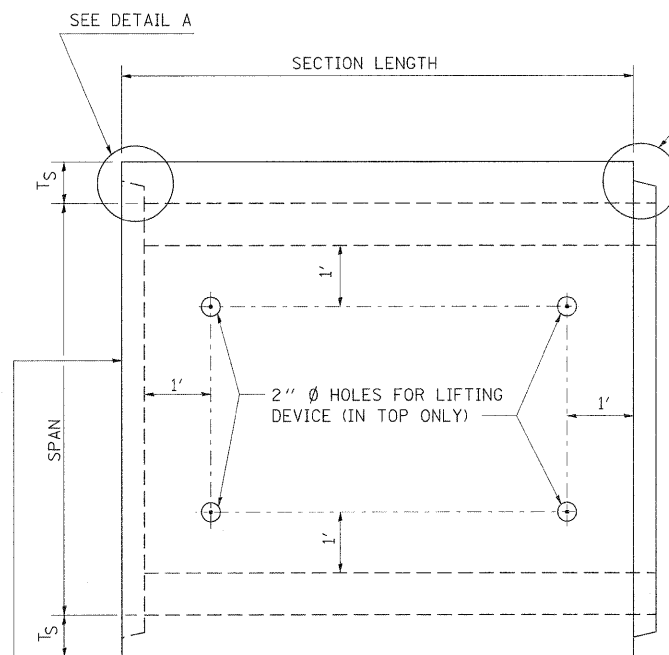
THE JOINTS OF THE PRECAST BOX SECTIONS SHALL BE SEALED WITH MASTIC IN ACCORDANCE WITH ARTICLE 1055.01 OF THE STANDARD SPECIFICATIONS FOR ROAD AND BRIDGE CONSTRUCTION.

LIFTING HOLES SHALL BE FILLED WITH CONCRETE PLUGS AND MASTIC AFTER THE BOX SECTIONS ARE IN PLACE.

THE TERMS AS1, AS2, ETC. DENOTE THE REQUIRED STEEL AREAS FOR REINFORCEMENT AS SPECIFIED IN AASHTO M273.

REINFORCEMENT SHALL BE WELDED WIRE FABRIC CONFORMING TO ASTM SPECIFICATIONS A 185 OR A 497. LONGITUDINAL DISTRIBUTION REINFORCEMENT MAY CONSIST OF WELDED WIRE FABRIC OR DEFORMED BILLET STEEL BARS CONFORMING TO AASHTO M-31, M-42, GRADE 60.

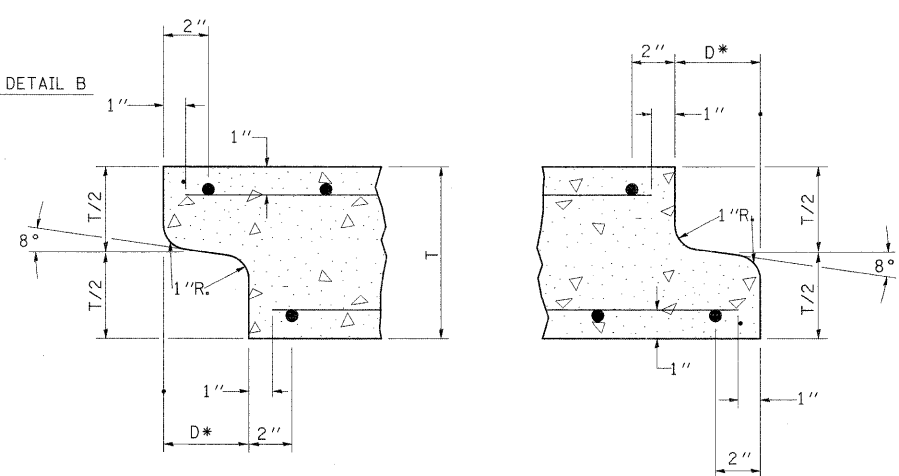
DRAINAGE OPENINGS SHALL BE PROVIDED IN ACCORDANCE WITH ARTICLE 503.11 OF THE STANDARD SPECIFICATIONS. LOCATION AND SPACING OF THE OPENINGS SHALL BE SHOWN ON THE SHOP DRAWINGS.



WHEN EXTENDING AN EXISTING BOX, PLACE THIS END AGAINST THE EXISTING HEADWALL

PLAN

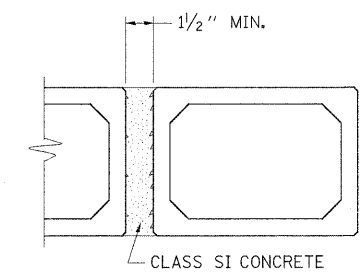
LOCATION OF LIFTING HOLES MAY BE VARIED AS NEEDED TO CLEAR REINFORCEMENT.



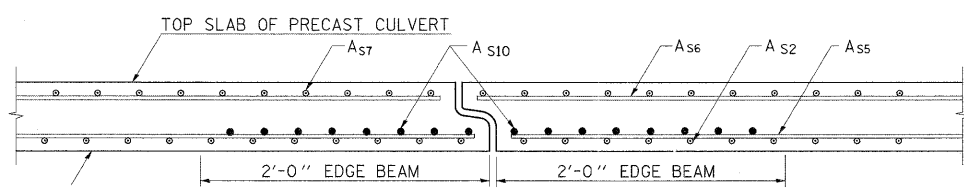
DETAIL A
(TYP. INLET END)

DETAIL B
(TYP. OUTLET END)

NOTE: INLET AND OUTLET ENDS SHALL BE COMPATIBLE.
* THE D DIMENSION SHALL CONFORM TO THE MANUFACTURER'S STANDARDS.

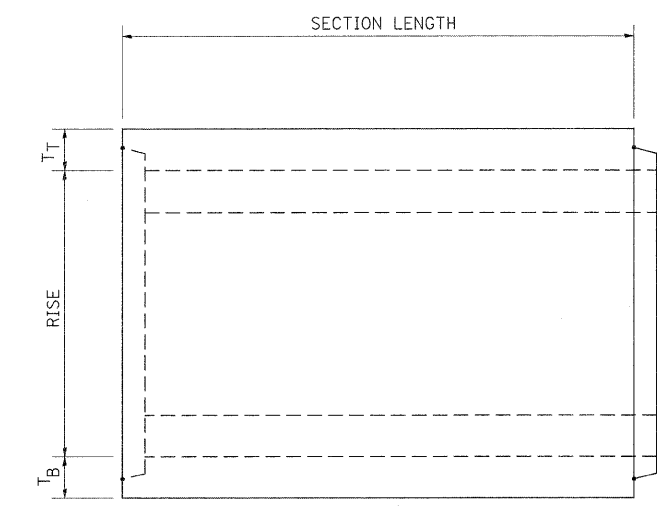


MULTIPLE UNIT PLACEMENT

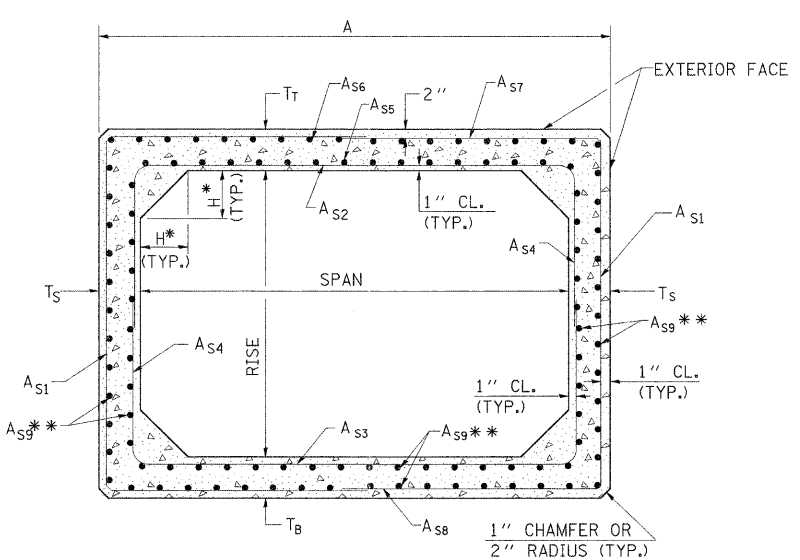


DETAIL OF EDGE BEAM

NOTE: THE AS10 REINFORCEMENT SHALL BE THE SAME LENGTH AS THE AS2.



ELEVATION



CROSS SECTION

* THE HAUNCH DIMENSION, H, IS EQUAL TO THE WALL THICKNESS, T.
** THE AREA OF AS9 REINFORCEMENT SHALL BE BE A MINIMUM OF 0.12 SQ. IN./FT.

DIMENSIONS & EDGE BEAM REINFORCEMENT

| SPAN X RISE | DIMENSIONS (INCHES) | | | EDGE BEAM REINF. AREA (IN. ² /FT.) AS10 |
|-------------|---------------------|----------------|----------------|---|
| | T _T | T _B | T _S | |
| 3' X 2' | 7 | 6 | 4 | 0.42 |
| 3' X 3' | 7 | 6 | 4 | 0.42 |
| 4' X 2' | 7 1/2 | 6 | 5 | 0.59 |
| 4' X 3' | 7 1/2 | 6 | 5 | 0.59 |
| 4' X 4' | 7 1/2 | 6 | 5 | 0.59 |
| 5' X 3' | 8 | 7 | 6 | 0.59 |
| 5' X 4' | 8 | 7 | 6 | 0.59 |
| 5' X 5' | 8 | 7 | 6 | 0.59 |
| 6' X 3' | 8 | 7 | 7 | 0.73 |
| 6' X 4' | 8 | 7 | 7 | 0.73 |
| 6' X 5' | 8 | 7 | 7 | 0.73 |
| 6' X 6' | 8 | 7 | 7 | 0.73 |
| 7' X 4' | 8 | 8 | 8 | 0.85 |
| 7' X 5' | 8 | 8 | 8 | 0.85 |
| 7' X 6' | 8 | 8 | 8 | 0.85 |
| 7' X 7' | 8 | 8 | 8 | 0.85 |
| 8' X 4' | 8 | 8 | 8 | 1.00 |
| 8' X 5' | 8 | 8 | 8 | 1.00 |
| 8' X 6' | 8 | 8 | 8 | 1.00 |
| 8' X 7' | 8 | 8 | 8 | 1.00 |
| 8' X 8' | 8 | 8 | 8 | 1.00 |

| SPAN X RISE | DIMENSIONS (INCHES) | | | EDGE BEAM REINF. AREA (IN. ² /FT.) AS10 |
|-------------|---------------------|----------------|----------------|---|
| | T _T | T _B | T _S | |
| 9' X 5' | 9 | 9 | 9 | 1.00 |
| 9' X 6' | 9 | 9 | 9 | 1.00 |
| 9' X 7' | 9 | 9 | 9 | 1.00 |
| 9' X 8' | 9 | 9 | 9 | 1.00 |
| 9' X 9' | 9 | 9 | 9 | 1.00 |
| 10' X 4' | 10 | 10 | 10 | 0.89 |
| 10' X 5' | 10 | 10 | 10 | 0.89 |
| 10' X 6' | 10 | 10 | 10 | 0.89 |
| 10' X 7' | 10 | 10 | 10 | 0.89 |
| 10' X 8' | 10 | 10 | 10 | 0.89 |
| 10' X 9' | 10 | 10 | 10 | 0.89 |
| 10' X 10' | 10 | 10 | 10 | 0.89 |
| 11' X 4' | 11 | 11 | 11 | 0.89 |
| 11' X 6' | 11 | 11 | 11 | 0.89 |
| 11' X 8' | 11 | 11 | 11 | 0.89 |
| 11' X 10' | 11 | 11 | 11 | 0.89 |
| 11' X 11' | 11 | 11 | 11 | 0.89 |
| 12' X 4' | 12 | 12 | 12 | 0.89 |
| 12' X 6' | 12 | 12 | 12 | 0.89 |
| 12' X 8' | 12 | 12 | 12 | 0.89 |
| 12' X 10' | 12 | 12 | 12 | 0.89 |
| 12' X 12' | 12 | 12 | 12 | 0.89 |

| REVISIONS | | | |
|-----------|---------|---------|----------|
| DRAWN | 9-8-89 | REVISED | 12-17-01 |
| REVISED | 3-27-90 | REVISED | 01-10-07 |
| REVISED | 3-11-92 | RESIZED | 5-7-08 |
| REVISED | 8-16-94 | | |