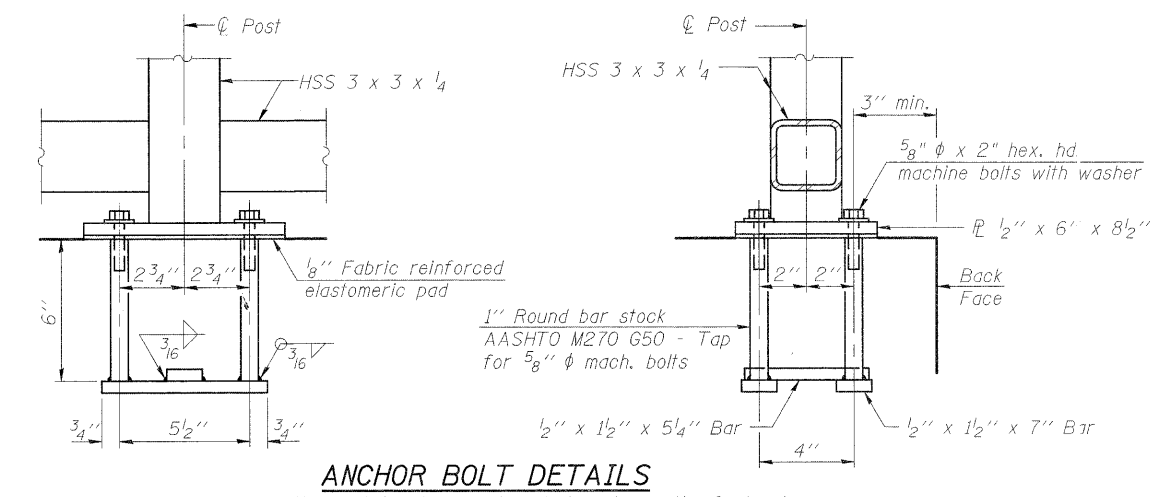
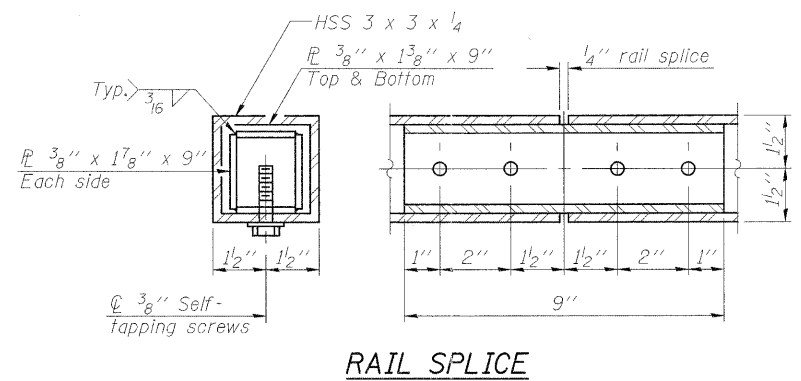
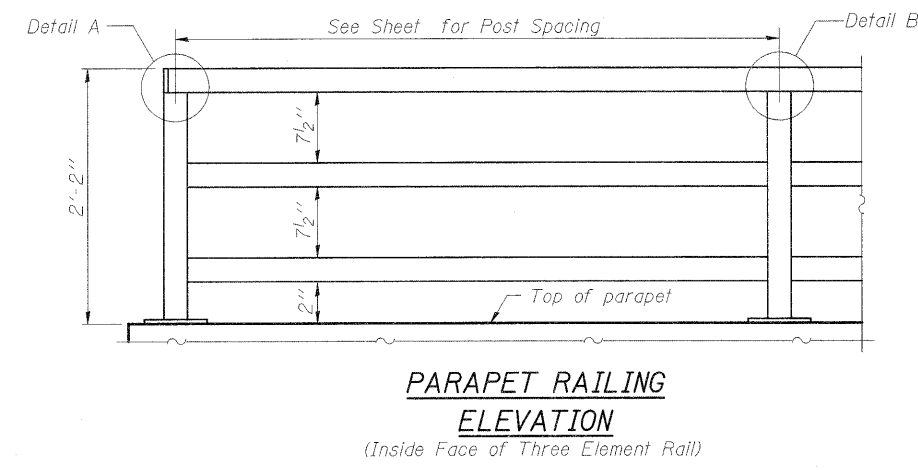
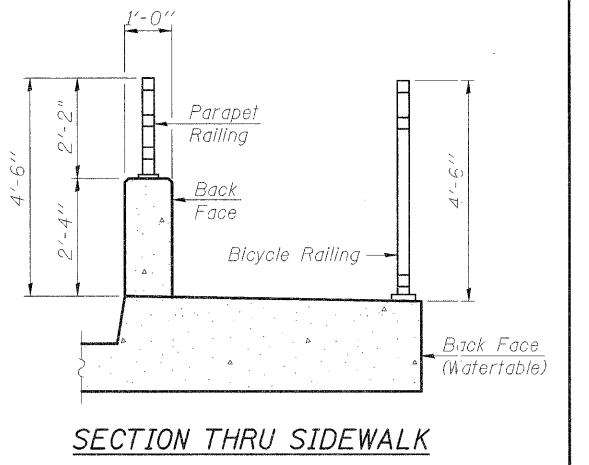
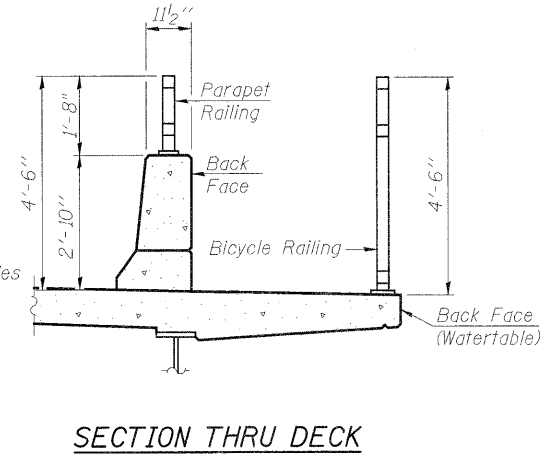
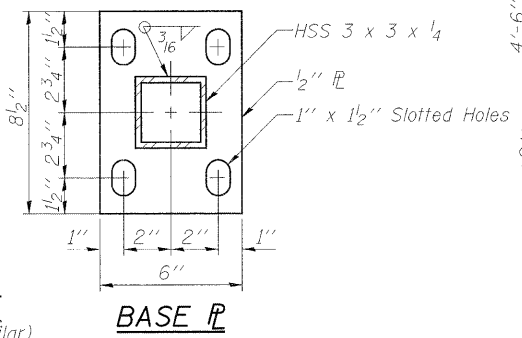
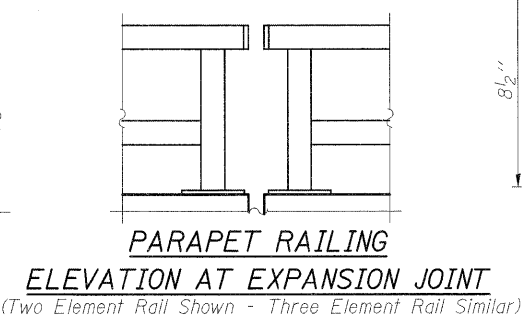
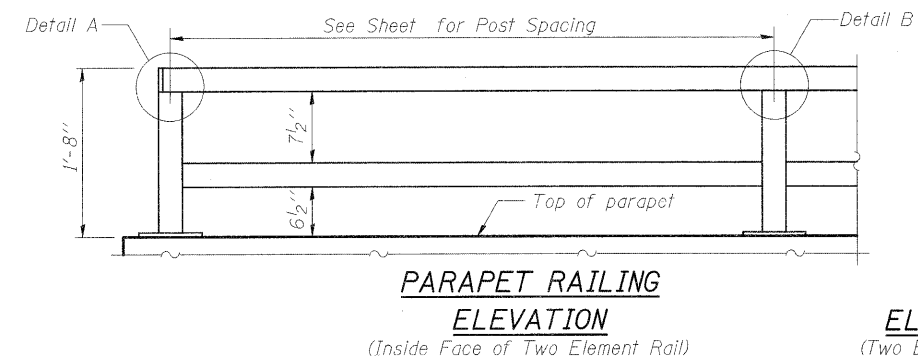
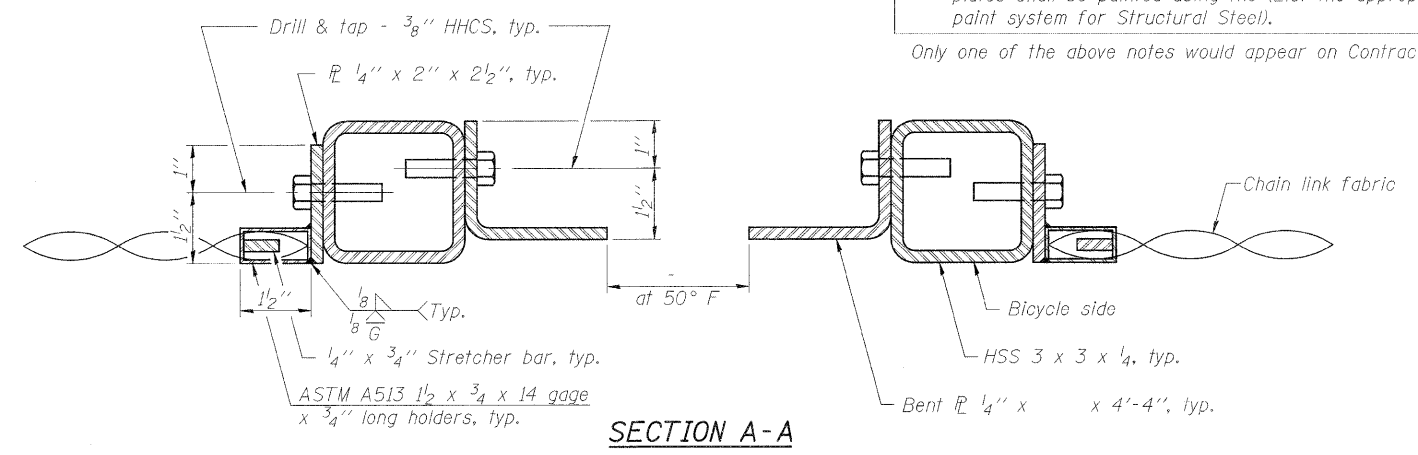


The designer should add the appropriate note as applicable.  
 A. When railing is galvanized:  
 All steel rail elements shall be galvanized according to Article 509.05 of the Standard Specifications.  
 B. When railing is painted:  
 All post, railing, splices, anchor devices, and bent plates shall be painted using the (List the appropriate paint system for Structural Steel).  
 Only one of the above notes would appear on Contract Plans.



In lieu of the cast-in-place anchor device shown, the Contractor has the option of drilling and setting 5/8" φ anchor rods according to Article 509.06 of the Standard Specifications. Embedment shall be according to the manufacturer's specifications.

**BILL OF MATERIAL.**

Item	Unit	Quantity
Bicycle Railing	Foot	55

R-29 7-1-10 (10'-0" Maximum Post Spacing)

FILE NAME =	USER NAME =	DESIGNED -	REVISD
		CHECKED -	REVISD
		DRAWN -	REVISD
		CHECKED -	REVISD

**STATE OF ILLINOIS  
 DEPARTMENT OF TRANSPORTATION**

**BICYCLE RAILING  
 STRUCTURE NO.**

SHEET NO. OF SHEETS

F.A.P. RTE.	SECTION	COUNTY	TOTAL SHEETS	SHEET NO.
885	138-1	UNION	14	14
CONTRACT			NO. 78255	
ILLINOIS FED. AID PROJECT				