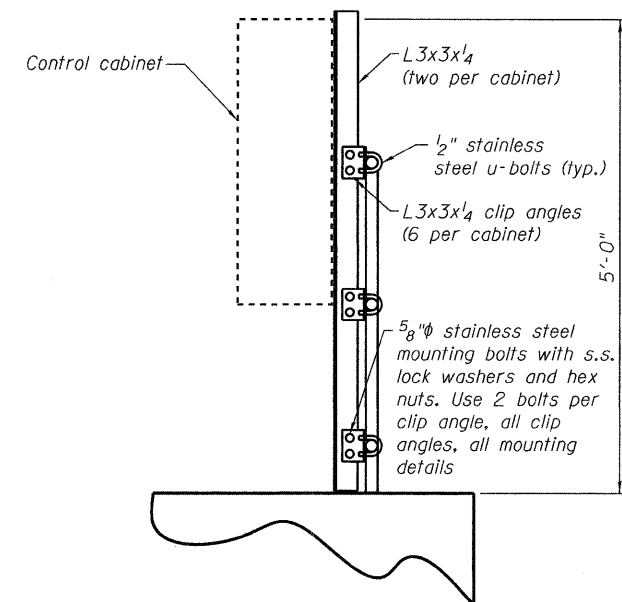
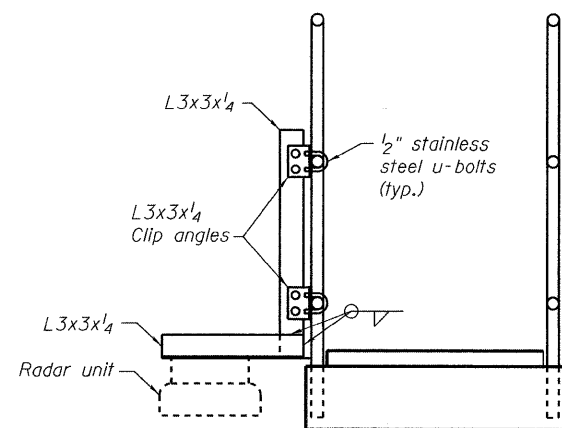


CONTROL AND POWER CABINET LAYOUTS



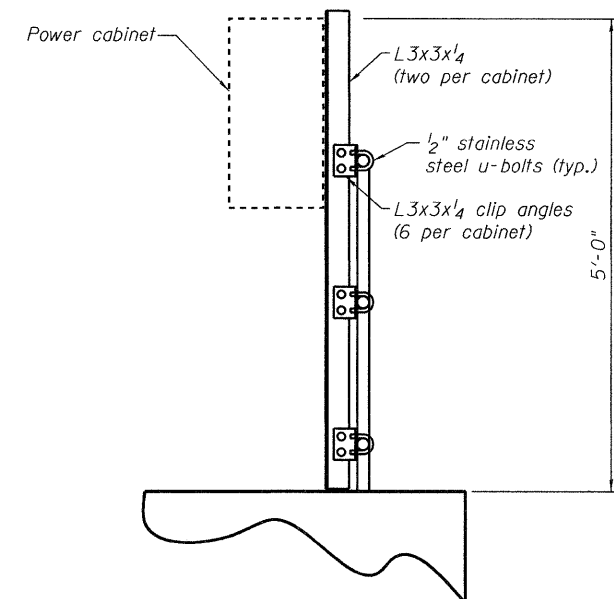
CONTROL CABINET MOUNTING DETAILS ON PIER 12

NEW CABINETS SHALL BE MOUNTED IN SAME LOCATION AS EXISTING SYSTEM (SEE NOTES)



RADAR MOUNTING DETAIL

RADAR UNIT MOUNTED TO LONGITUDINAL WALKWAY NEAR PIER 12 (SEE NOTES)



POWER CABINET MOUNTING DETAILS ON PIER 12

NEW CABINETS SHALL BE MOUNTED IN SAME LOCATION AS EXISTING SYSTEM (SEE NOTES)

NOTES:

1. See special provisions for additional requirements not shown.
2. Verify any component dimensions and field fit prior to purchasing and installing.
3. Radar unit shall be mounted per the manufacturers recommendation.



USER NAME =	DESIGNED - CDV	REVISED -
	CHECKED - LVB	REVISED -
PLOT SCALE =	DRAWN - RSJ	REVISED -
PLOT DATE = DECEMBER, 2011	CHECKED - CDV	REVISED -

STATE OF ILLINOIS
DEPARTMENT OF TRANSPORTATION

NAVIGATION LIGHT AUTOMATIC CONTROLS
MOUNTING DETAILS

SHEET NO. 3 OF 5 SHEETS

F.A.I. RTE.	SECTION	COUNTY	TOTAL SHEETS	SHEET NO.
24	(64-3B)1-1	MASSAC	7	5
CONTRACT NO. 78273			ILLINOIS FED. AID PROJECT	