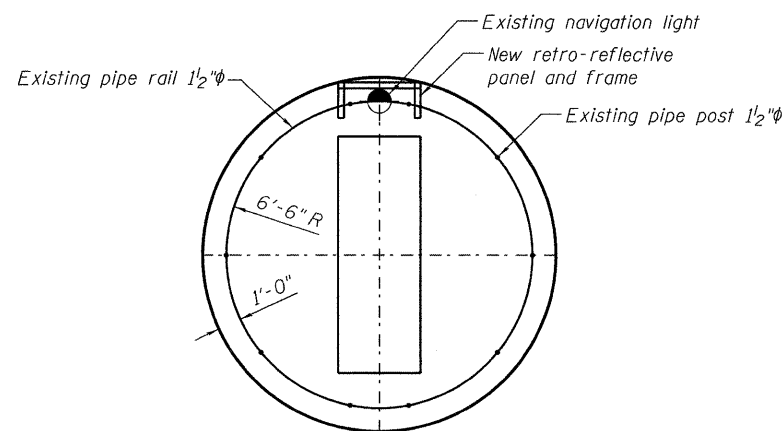
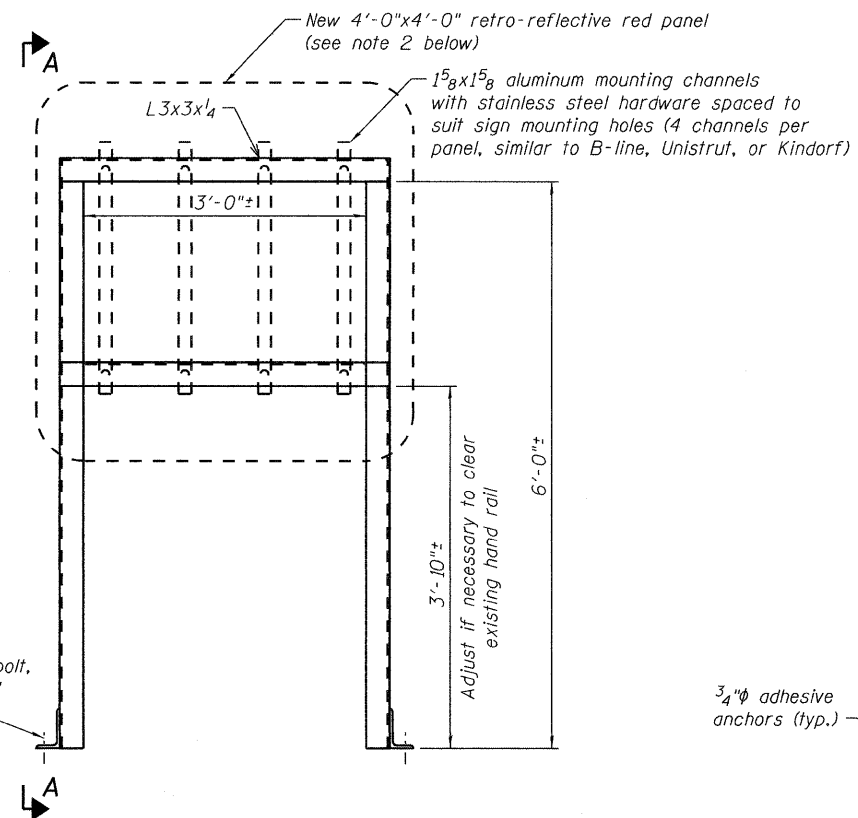


ELEVATION

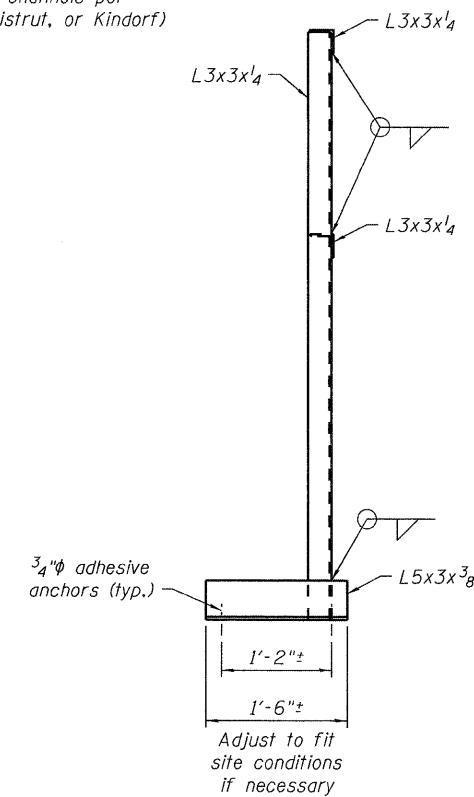


PLAN

TWO LOCATIONS - PIER 3 AND PIER 4



STEEL SUPPORT FRAME



VIEW A-A

NOTES:

1. See special provisions for additional requirements not shown.
2. Panels shall be attached with 1/2" stainless steel fasteners, spaced per panel manufacturers recommendations.



| | | |
|----------------------------|----------------|-----------|
| USER NAME = | DESIGNED - CDV | REVISED - |
| PLOT SCALE = | CHECKED - LVB | REVISED - |
| PLOT DATE = DECEMBER, 2011 | DRAWN - RSJ | REVISED - |
| | CHECKED - CDV | REVISED - |

STATE OF ILLINOIS
DEPARTMENT OF TRANSPORTATION

NAVIGATION LIGHT AUTOMATIC CONTROLS
RETRO-REFLECTIVE PANEL DETAILS - RED PANELS

SHEET NO. 4 OF 5 SHEETS

| F.A.I. RTE. | SECTION | COUNTY | TOTAL SHEETS | SHEET NO. |
|---------------------------|------------|--------|--------------|-----------|
| 24 | (64-3B)I-1 | MASSAC | 7 | 4 |
| CONTRACT NO. 78273 | | | | |
| ILLINOIS FED. AID PROJECT | | | | |