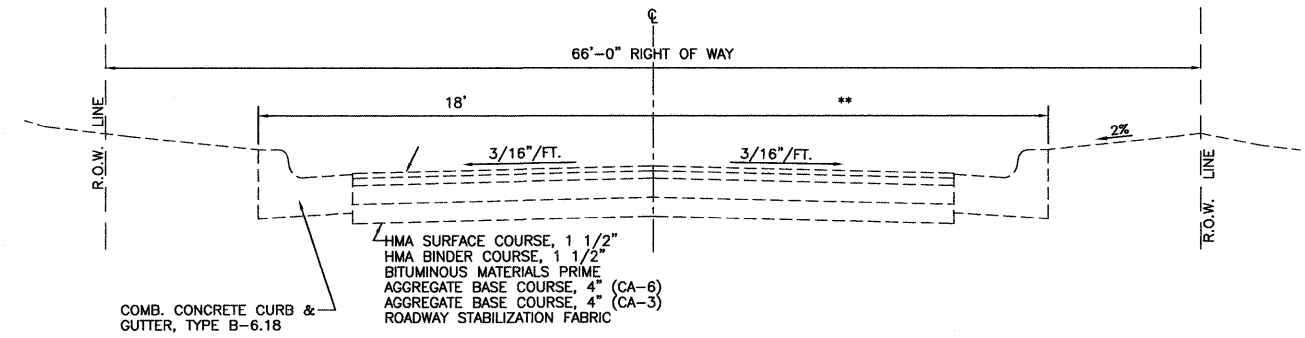
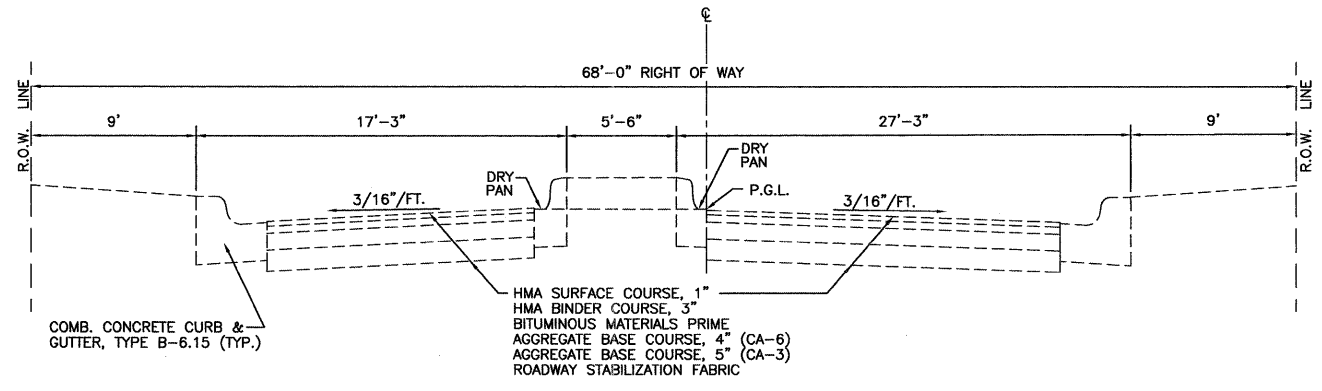


EXISTING EDGEWATER DRIVE NORTH
N.T.S.

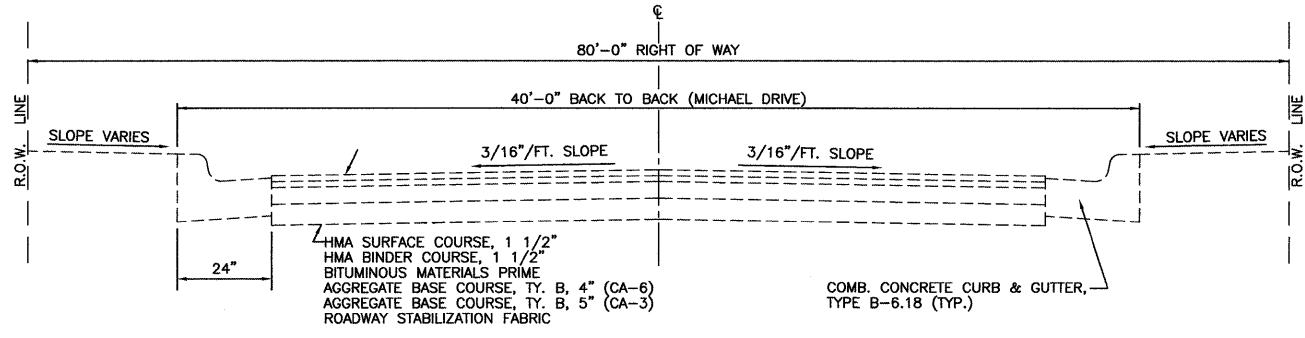


EXISTING EDGEWATER DRIVE SOUTH
N.T.S.

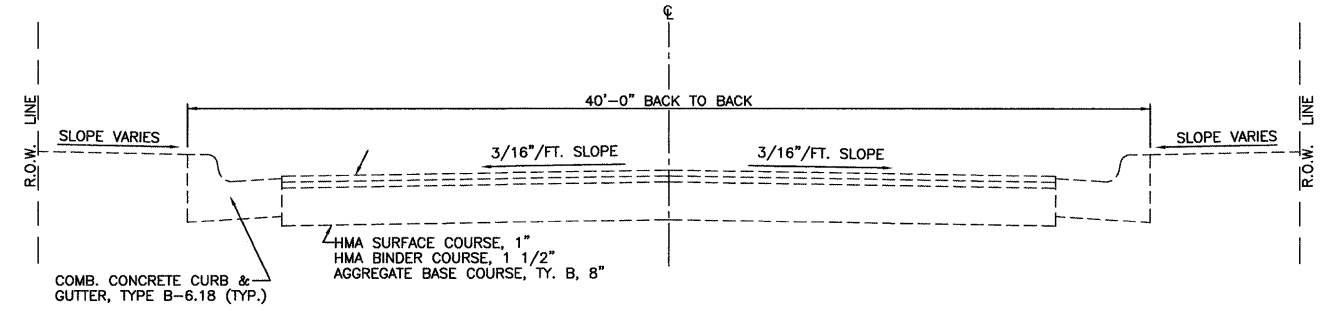
** VARIES 18' TO 26' (STA 96+71.39 TO STA. 97+71.39)
26' (STA. 97+71.39 TO STA. 99+35.36)



EXISTING WASHBURN DRIVE
N.T.S.
STA 11+85 TO STA 12+75



EXISTING MICHAEL DRIVE
N.T.S.



EXISTING LAKEWOOD DRIVE
N.T.S.

CHAMBLIN & ASSOCIATES, INC. © 2010
Drawing Name: G:\Users\G\9869-00-Morris-00-Morris-00-Morris-00-PLANS-STUD\003-TYP.dwg Last Modified: Oct 17, 2011 9:12am Plotted on: Oct 17, 2011 9:51am by mendiq

DRAWN BY: CHAMS	REVISIONS		
CHECKED BY: JKC	LEVEL	BY	DATE
DATE: 10/11			
			DESCRIPTION

CHAMBLIN & ASSOCIATES
PERU MORRIS ILLINOIS

FAU 5952 (US 6)
SECTION 10-00083-00-TL
CITY OF MORRIS
GRUNDY COUNTY

TYPICAL SECTIONS

CONSTRUCTION PLANS

CONTRACT NO. 87486	
CURRENT AS OF: 10/11	
SCALE: AS NOTED	SHEET 3A
FILE NO.: 6969.00 Y-	OF 70