

TR	SECTION	COUNTY	TOTAL SHEETS	SHEET NO.
112	09-09126-00-BR	WHITE	12	4
FED. ROAD DIST. NO. 9 ILLINOIS		FED. AID PROJECT		
PROJECT # BROS-193(051)		CONTRACT # 99445		
JOB NO. C-99-537-09		BROAD RUN		

323 W. 3RD ST.
P.O. BOX 160
MT. CARMEL, IL
62863
PHONE:
(618)-262-8651
FAX:
(618)-263-3327

405 W. STATE ST
SUITE 1
FRINGETON, IN
47670
PHONE:
(812)-386-7611
FAX:
(812)-385-2812



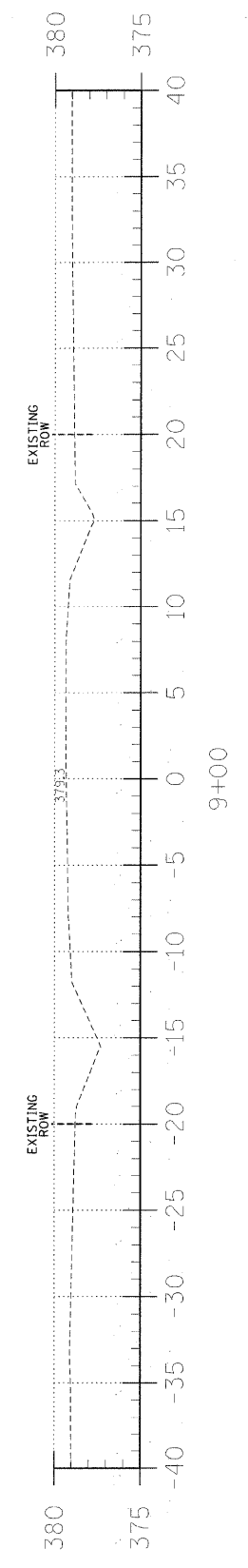
PROFESSIONAL DESIGN FIRM
LAND SURVEY & PROFESSIONAL ENGINEERING CORPORATION
184-000887
(62-032435)(35-002769)



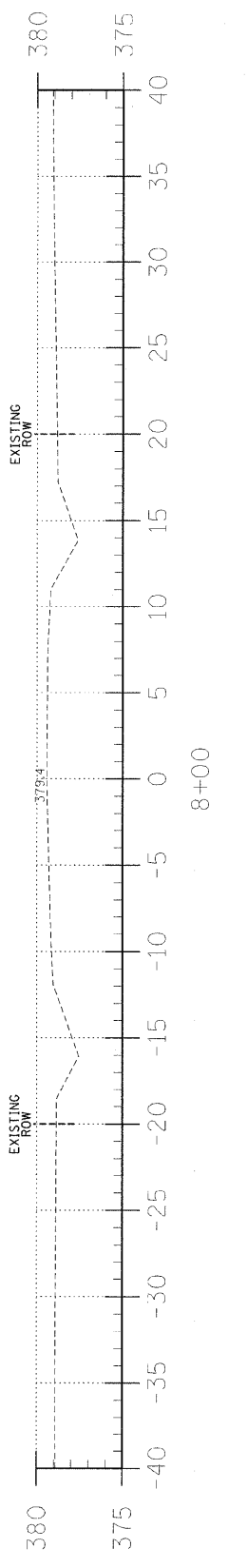
AARON M. MEFFORD
NAME
Aaron M. Mefford
SIGNATURE
10-18-11
DATE
11-30-13
EXPIRES

T.R. 112
OVER BROAD RUN
WHITE COUNTY, ILLINOIS

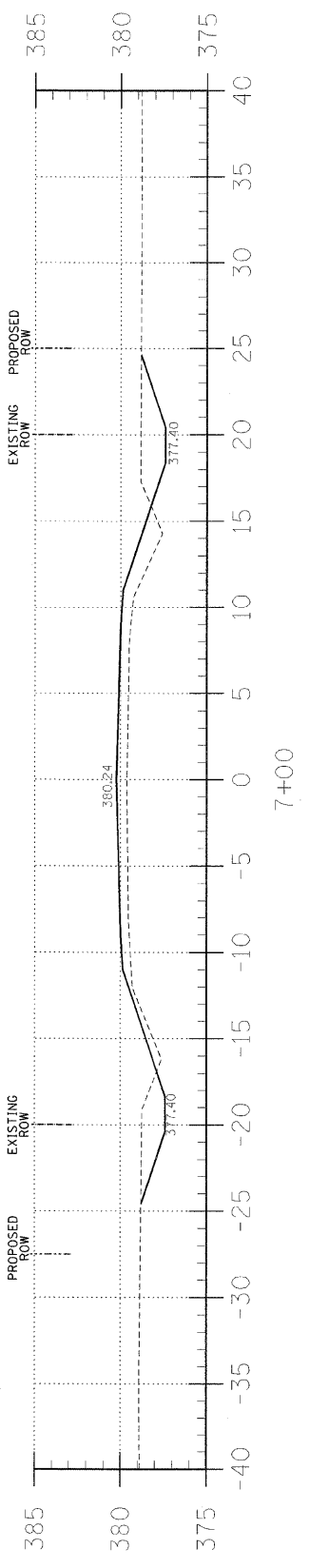
SHEET TITLE:
CROSS-SECTIONS
SCALE: 1" = 5'
BY: AMM
DATE: 10/2/11
REV:
4 OF 12 SHEETS
SHEET NO. 4



9+00

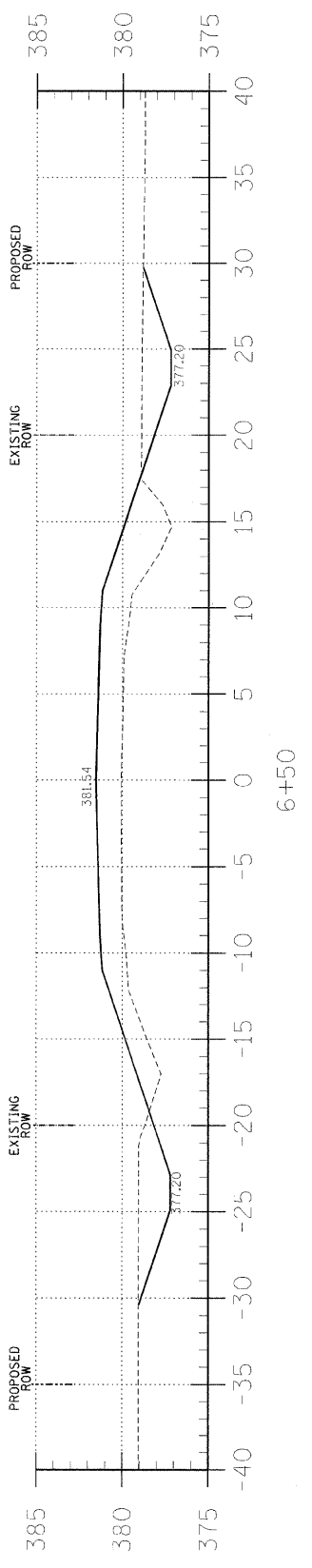


8+00



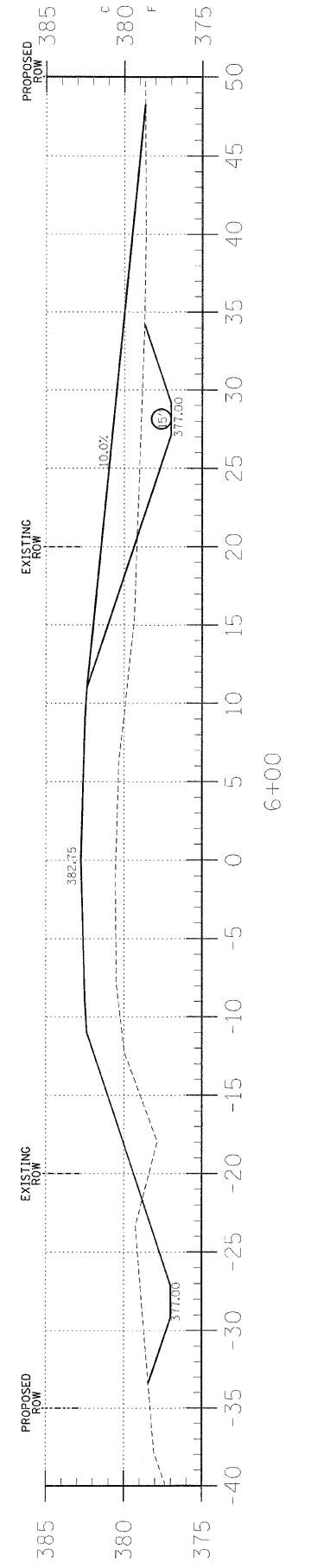
7+00

C = 14.2
F = 18.5



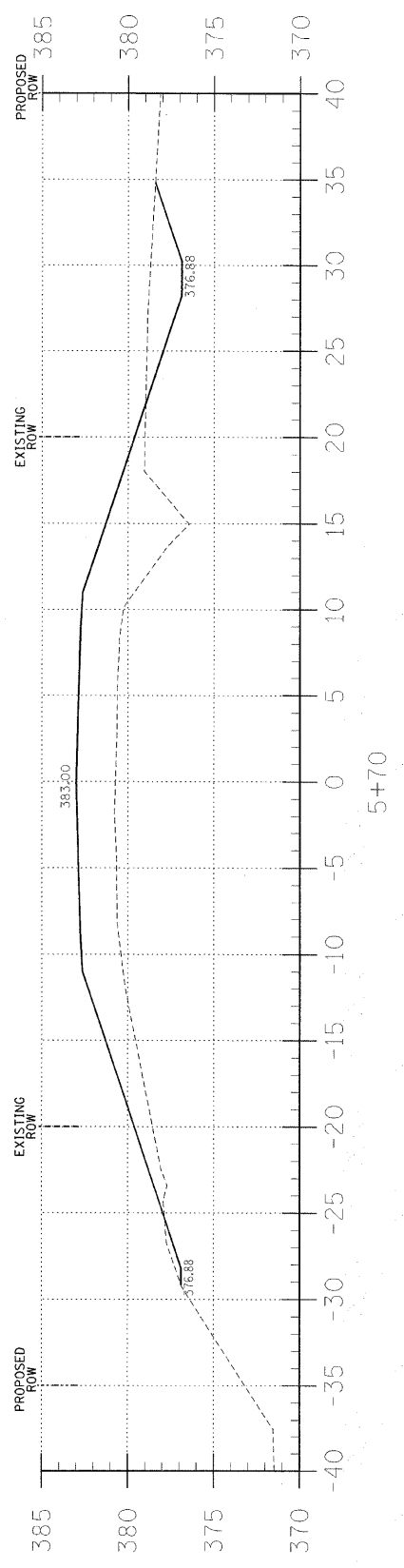
6+50

C = 24.4
F = 54.6



6+00

C = 28.6
F = 81.2



5+70

C = 14.8
F = 99.6