

PLAN VIEW

NOTES

Prestressing steel shall be uncoated high strength, low relaxation 7-wire strand, Grade 270. The nominal diameter shall be 1/2" and the nominal cross-sectional area shall be 0.153 sq. in. The 1" ϕ rods in the transverse tie assembly shall be tightened to a snug fit and the threads set. Pockets on exterior faces of bridge shall be filled with grout after transverse tie assembly is in place.

Reinforcement bars shall conform to ASTM A 706, Grade 60. (See Special Provisions). Two 1/8" fabric adjusting shims of the dimensions of the exterior bearing pad shall be provided for each bearing pad location.

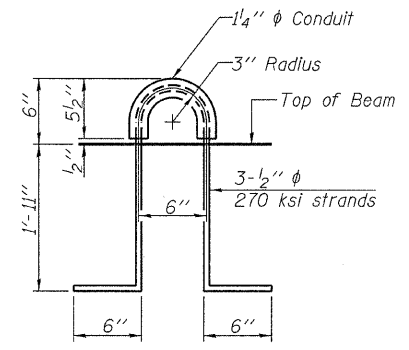
A minimum 2 1/2" ϕ lifting pin shall be used to engage the lifting loops during handling.

Corrosion Inhibitor, per Article 1020.05(b)(12) and 1021.06 of the Standard Specifications, shall be used in the concrete for precast prestressed concrete deck beams.

Compressive strength of prestressed concrete, f'_c , shall be 6000 psi.

Compressive strength of prestressed concrete at release, f'_{ci} , shall be 5000 psi.

Note: Connect beams in pairs with the transverse tie configuration shown.



LIFTING LOOP DETAIL

BILL OF MATERIAL

Precast Prestressed Conc. Deck Bms. (27" depth)	Sq. Ft.	1,680
---	---------	-------

PD-2748-LD 7-1-10

FILE NAME =	USER NAME =	DESIGNED - A.S.L.	REVISED - 08/30/10
HAMPTON, LENZINI AND RENWICK, INC.		CHECKED - S.W.M.	REVISED -
3448 STEVENSON DRIVE, SUITE 201 SPRINGFIELD, ILLINOIS 62703	PLOT SCALE =	DRAWN - D.T.M.	REVISED -
ILLINOIS PROFESSIONAL DESIGN FIRM L.S./P.E./S.E. CORP. 184.000999	PLOT DATE = 10/7/2011	CHECKED - S.W.M.	REVISED -

STATE OF ILLINOIS
WHITE COUNTY HIGHWAY DEPARTMENT

27" x 48" PPC DECK BEAM DETAILS
STRUCTURE NO. 097-3270

SHEET NO. 3 OF 8 SHEETS

T.R.	SECTION	COUNTY	TOTAL SHEETS	SHEET NO.
112	09-09126-00-BR	WHITE	12	7
MILL SHOALS ROAD DISTRICT		CONTRACT NO. 99445		
ILLINOIS FED. AID PROJECT				