

URBAN
100%
STATE

URBAN
100%
STATE

SUMMARY OF QUANTITIES			TOTAL QUANTITIES	CONSTRUCTION TYPE CODE	
CODE NO	ITEM	UNIT		005 US 50	0005 IL 130/250
40600290	BITUMINOUS MATERIALS (TACK COAT)	POUND	7197	4950	2247
40600645	LEVELING BINDER (MACHINE METHOD), N90	TON	475	411	64
40600845	POLYMERIZED LEVELING BINDER (MACHINE METHOD), N90	TON	475	411	64
40600990	TEMPORARY RAMP	SO YD	173	56	117
40603090	HOT-MIX ASPHALT BINDER COURSE, IL-19.0, N90	TON	307		307
40603545	POLYMERIZED HOT-MIX ASPHALT SURFACE COURSE, MIX "D", N90	TON	896	616	280
44000159	HOT-MIX ASPHALT SURFACE REMOVAL, 2 1/2"	SO YD	8468	7334	1134
44000165	HOT-MIX ASPHALT SURFACE REMOVAL, 4"	SO YD	2195		2195
44201789	CLASS D PATCHES, TYPE II, 12 INCH	SO YD	120	90	30
44201794	CLASS D PATCHES, TYPE III, 12 INCH	SO YD	115	90	25
44201796	CLASS D PATCHES, TYPE IV, 12 INCH	SO YD	115	90	25
67100100	MOBILIZATION	LSUM	1	0.5	0.5
70100450	TRAFFIC CONTROL AND PROTECTION, STANDARD	LSUM	1	0.5	0.5
	701201				
70300100	SHORT TERM PAVEMENT MARKING	FOOT	2034	1671	363

SUMMARY OF QUANTITIES			TOTAL QUANTITIES	CONSTRUCTION TYPE CODE	
CODE NO	ITEM	UNIT		0005 US 50	0005 IL 130/250
70300150	SHORT TERM PAVEMENT MARKING REMOVAL	SO FT	226	186	40
70300210	TEMPORARY PAVEMENT MARKING LETTERS AND SYMBOLS	SO FT	172	78	94
70300220	TEMPORARY PAVEMENT MARKING - LINE 4"	FOOT	8961	7755	1206
70300240	TEMPORARY PAVEMENT MARKING - LINE 6"	FOOT	687	350	337
70300280	TEMPORARY PAVEMENT MARKING - LINE 24"	FOOT	134	52	82
* 78000100	THERMOPLASTIC PAVEMENT MARKING - LETTERS AND SYMBOLS	SO FT	172	78	94
* 78000200	THERMOPLASTIC PAVEMENT MARKING - LINE 4"	FOOT	8961	7755	1206
* 78000400	THERMOPLASTIC PAVEMENT MARKING - LINE 6"	FOOT	687	350	337
* 78000500	THERMOPLASTIC PAVEMENT MARKING - LINE 8"	FOOT	324		324
* 78000650	THERMOPLASTIC PAVEMENT MARKING - LINE 24"	FOOT	134	52	82
* 78000600	THERMOPLASTIC PAVEMENT MARKING - LINE 12"	FOOT	386		386
* 78100100	RAISED REFLECTIVE PAVEMENT MARKER	EACH	135	106	29
X7015005	CHANGEABLE MESSAGE SIGN	CAL DA	56	28	28
* X7830060	GROOVING FOR RECESSED PAVEMENT MARKING, LETTERS AND SYMBOLS	SO FT	172	78	94

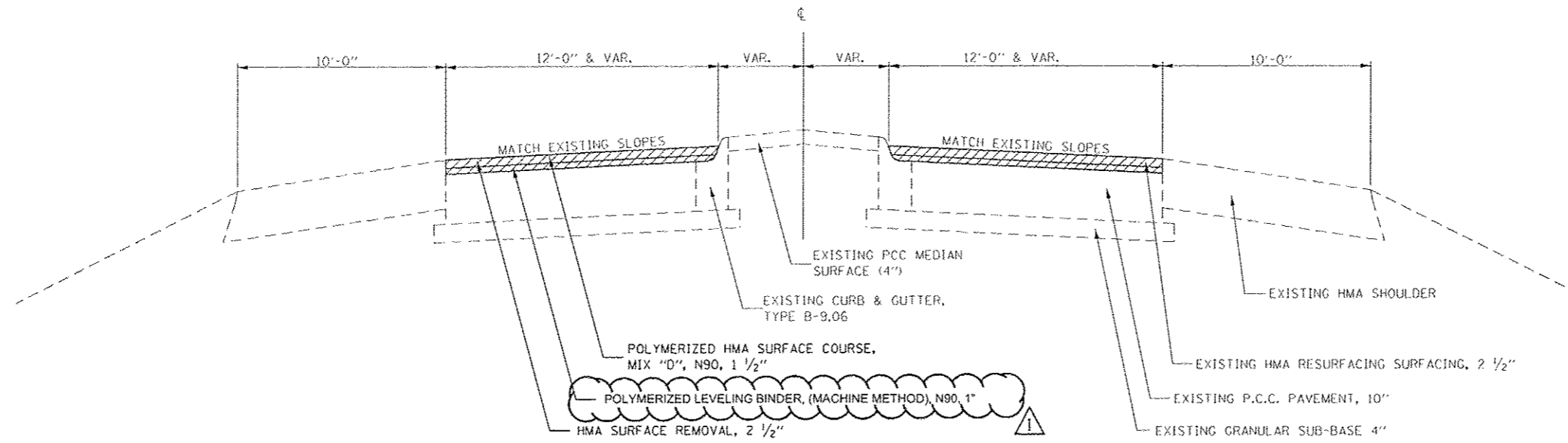
* SPECIALTY ITEM

12

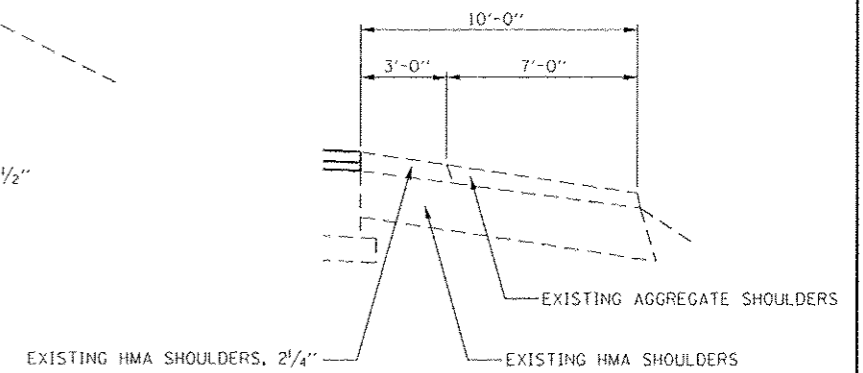
• 327 & 116 REV. 1-6-17

FILE NAME	USER NAME = staffarank	DESIGNED -	REVISOR -	STATE OF ILLINOIS DEPARTMENT OF TRANSPORTATION	SUMMARY OF QUANTITIES	F.A.P. RTE.	SECTION	COUNTY	TOTAL SHEETS	SHEET NO.
pw:\ILRB4EBIDINTEG.illinois.gov\PI007\00	summits\DDT Offices\District 7\Projects\747	DRAWN	REVISOR			D7 HMA RESURF 2017-2	RICHLAND	14	3	
	PLOT SCALE = 100.0000' / in	CHECKED -	REVISOR			CONTRACT NO. 74772				
Default	PLOT DATE = 10/28/2016	DATE -	REVISOR			ILLINOIS FED. AID PROJECT				

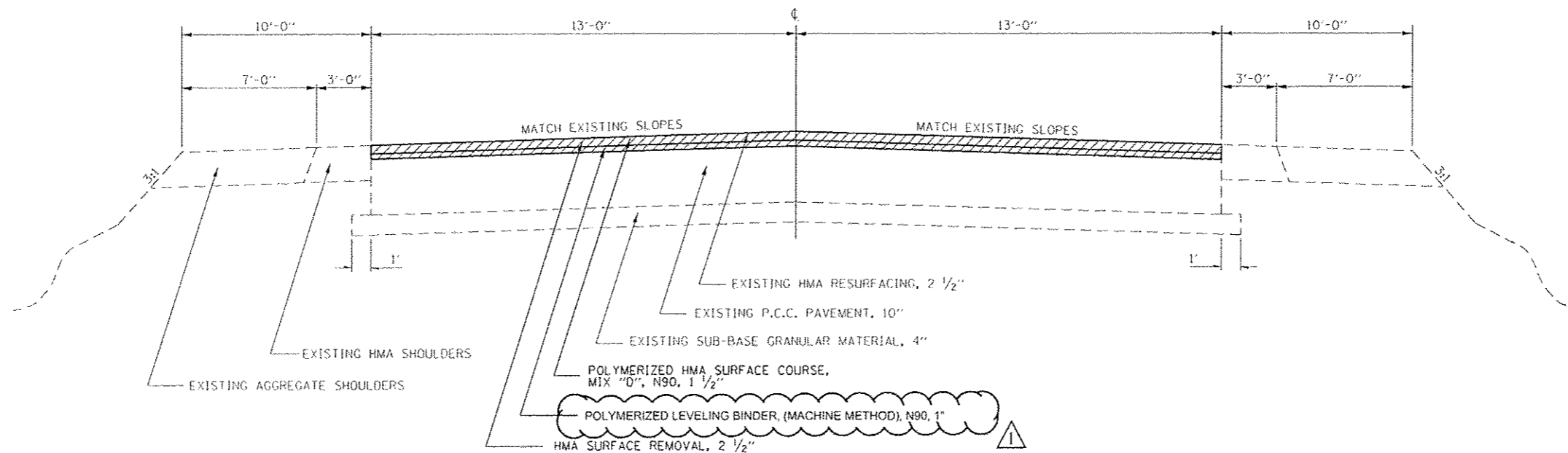
TYPICAL CROSS SECTION US 50
 STATION 872+85 TO STATION 881+66.70 BK =
 STATION 1+00AH TO STATION 12+00



TYPICAL CROSS SECTION US 50
 STATION 872+92 RT TO STATION 880+90 RT
 STATION 7+93 LT TO STATION 12+00 LT
 STATION 11+28 RT TO STATION 12+00 RT



TYPICAL CROSS SECTION US 50
 STATION 12+00 TO STATION 12+50



REV. 1-6-17

FILE NAME	USER NAME	DESIGNED	REVISED	STATE OF ILLINOIS DEPARTMENT OF TRANSPORTATION	TYPICAL CROSS SECTIONS			F.A.P. RTE.	SECTION	COUNTY	TOTAL SHEETS	SHEET NO.
per\N\LB4E80HTEG\Illinois.gov\PI\001\00	stef fenn							D7 HMA RESURF 2017-2	RICHLAND	14	5	
PROJECT	PROJECT NO.	CHECKED	REVISED		SCALE:	SHEET	OF	SHEETS	STA.	TO STA.	ILLINOIS FED. AID PROJECT	
											CONTRACT NO. 74772	

