

STATE OF ILLINOIS
DEPARTMENT OF TRANSPORTATION

F.A. RTE.	SECTION	COUNTY	TOTAL SHEETS	SHEET NO.
VAR.	2022-EXPD-SW	*	10	1
		ILLINOIS	CONTRACT NO. 62R49	

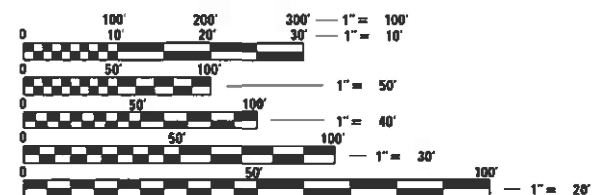
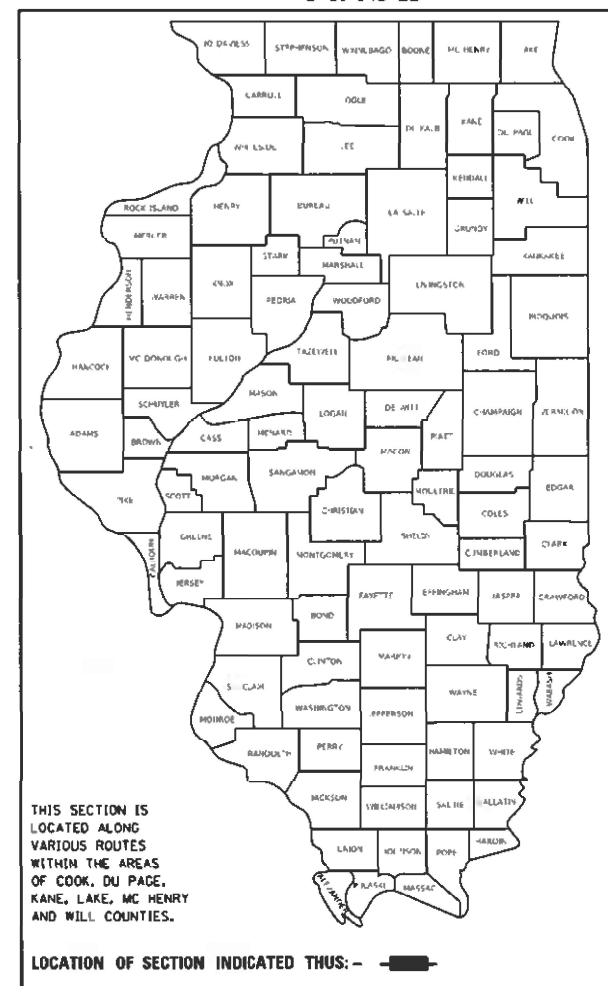
* COOK, DU PACE, LAKE AND WILL

D-91-148-22

FOR INDEX OF SHEETS, SEE SHEET NO.

PROPOSED
HIGHWAY PLANS

ROUTE: VARIOUS DISTRICT ONE
SECTION: 2022-EXPD-SW
EXPRESSWAY CLEANING (DAYTIME SWEEPING)
COUNTY: VARIOUS (COOK, DUPAGE, LAKE AND WILL)
C-91-183-22



FULL SIZE PLANS HAVE BEEN PREPARED USING STANDARD ENGINEERING SCALES. REDUCED SIZED PLANS WILL NOT CONFORM TO STANDARD SCALES. IN MAKING MEASUREMENTS ON REDUCED PLANS, THE ABOVE SCALES MAY BE USED.

J.U.L.I.E.
JOINT UTILITY LOCATION INFORMATION FOR EXCAVATION
1-800-892-0123
OR 811

LOCATION MAPS - SEE INDEX OF SHEETS

PROJECT MANAGER: J. ALAIN MIDY (847) 221-3056

CONTRACT NO. 62R49

STATE OF ILLINOIS
DEPARTMENT OF TRANSPORTATION

SUBMITTED February 14, 2022
Gene Rind REGIONAL ENGINEER
December 9, 2022

Eric A. Etk
ENGINEER OF DESIGN AND ENVIRONMENT
December 9, 2022

Stephen M. Smith
DIRECTOR OF HIGHWAYS PROJECT IMPLEMENTATION

PRINTED BY THE AUTHORITY
OF THE STATE OF ILLINOIS

F.A. RTE.	SECTION	COUNTY	TOTAL SHEETS	SHEET NO.
VAR. 2022-EXPD-SW	*		10	2
STA.		TO STA.		
FED. ROAD DIST. NO.	ILLINOIS	FED. AID PROJECT		

INDEX OF SHEETS

1. TITLE SHEET
2. INDEX OF SHEETS
APPLICABLE STATE STANDARDS
3. SUMMARY OF QUANTITIES
SCHEDULE OF CLEANING STARTING DATES
4. EXPRESSWAY TYPICAL SECTIONS
5. TYPICAL ROADWAY CLEANING DETAILS
6. EXPRESSWAY CLEANING: I-290 EXTENSION/ ILL 53, EDENS,
KENNEDY & ELGIN-O'HARE
7. EXPRESSWAY CLEANING: EISENHOWER, STEVENSON, I-55 & DAN RYAN
8. EXPRESSWAY CLEANING: BISHOP FORD, KINGERY, I-55, I-57 & I-80
9. SINGLE LANE WEAVE AND MULTI LANE WEAVE (TC-09)
10. TRAFFIC CONTROL DETAILS FOR FREEWAY SHOULDER CLOSURES
AND PARTIAL RAMP CLOSURES (TC-17)

STATE STANDARDS

701400-10	APPROACH TO LANE CLOSURE, FREEWAY/EXPRESSWAY
701401-12	LANE CLOSURE, FREEWAY/EXPRESSWAY
701411-09	LANE CLOSURE, MULTILANE AT ENTERANCE/EXIT RAMP FOR SPEEDS > 45 MPH
701426-09	LANE CLOSURE, MULTILANE INTERMITTENT OR MOVING OPERATION FOR SPEEDS > 45 MPH
701428-01	TRAFFIC CONTROL SETUP AND REMOVAL FREEWAY/EXPRESSWAY
701901-08	TRAFFIC CONTROL DEVICES

* COOK, DU PAGE, LAKE AND WILL

PLOT DATE = 2/18/2022
 FILE NAME = p:\1\1802\pubent\legcomp\1001\Documents\1001\Offices\District 1\Projects\Sweeping Contracts\CADData\Design\SweepingContractes2017.dgn
 PLOT SCALE = 1/8"=1'-0"
 USER NAME = midup

REVISIONS		ILLINOIS DEPARTMENT OF TRANSPORTATION
NAME	DATE	
		INDEX OF SHEETS AND STATE STANDARDS
SCALE:	VERT. / HORIZ.	DRAWN BY
DATE		CHECKED BY

F.A. RTE.	SECTION	COUNTY	TOTAL SHEETS	SHEET NO.
VAR. 2022-EXPD-SW		*	10	4
STA.		TO STA.		
FED. ROAD DIST. NO.	ILLINOIS	FED. AID PROJECT		

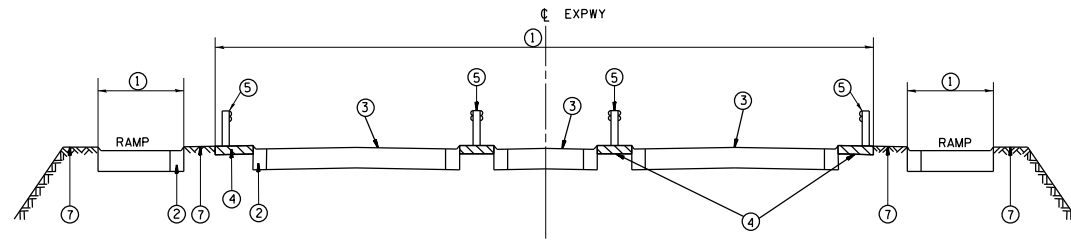
* COOK, DU PAGE, LAKE AND WILL

LEGEND

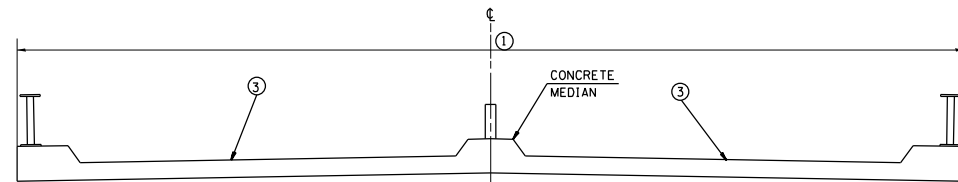
- ① AREA OF ROADWAY CLEANING, DEBRIS AND RUBBISH REMOVAL
- ② CURB AND GUTTER
- ③ TRAVELED ROADWAY
- ④ STABILIZED SHOULDER OR MEDIAN OR SIDEWALK OR NON STABILIZED SURFACES
- ⑤ STEEL PLATE GUARD RAIL (SEE NOTE A)
- ⑥ CONCRETE BARRIER
- ⑦ NON STABILIZED SURFACE
- ⑧ RAISED CONCRETE MEDIAN

NOTE:

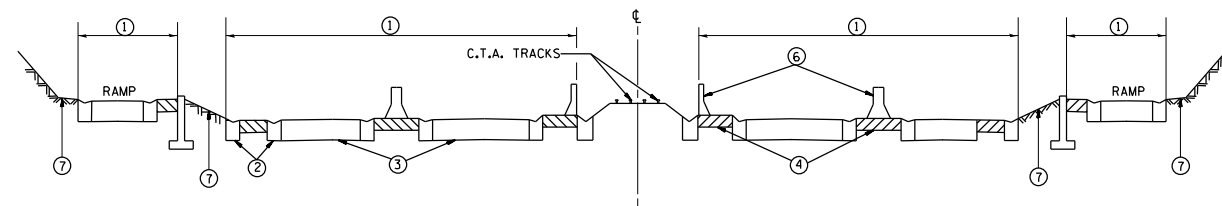
- A) ALL MATERIAL/DEBRIS REGARDLESS OF THE THICKNESS AND SIZE SHALL BE REMOVED AND PROPERLY DISPOSED FROM THE STABILIZED SURFACE.
- B) ALL DRAINAGE STRUCTURES MUST BE CLEARED OF DEBRIS WITHIN THE MEDIAN.



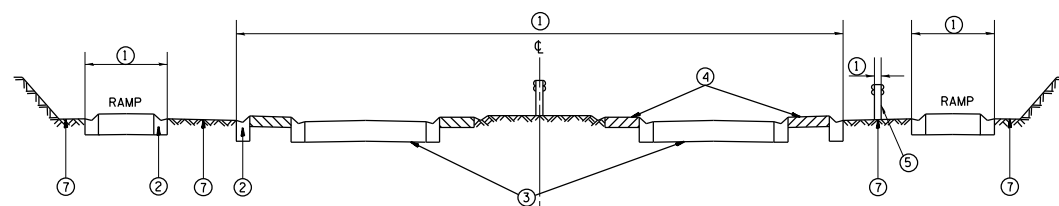
TYPICAL EXPRESSWAY CROSS-SECTION NO. 1



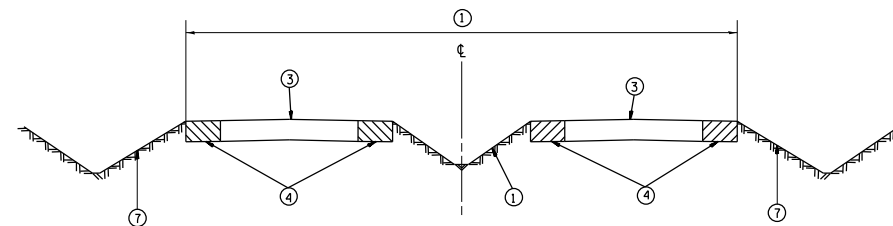
TYPICAL CROSS-SECTION OF ELEVATED ROADWAY
TYPICAL EXPRESSWAY CROSS-SECTION NO. 2



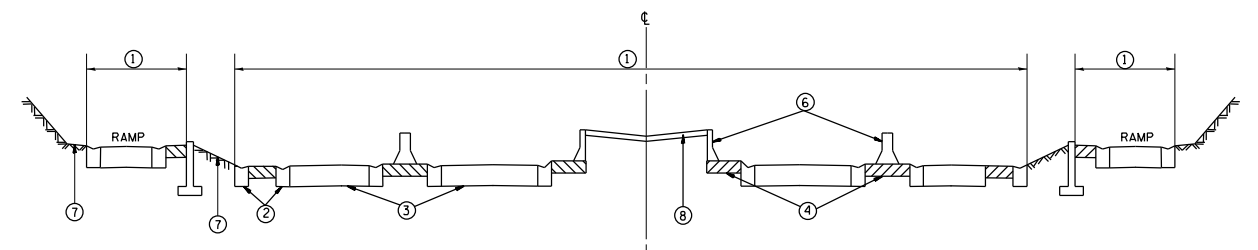
TYPICAL EXPRESSWAY CROSS-SECTION NO. 3



TYPICAL EXPRESSWAY CROSS-SECTION NO. 4



TYPICAL EXPRESSWAY CROSS-SECTION NO. 5



TYPICAL EXPRESSWAY CROSS-SECTION NO. 6

REVISIONS	
NAME	DATE

ILLINOIS DEPARTMENT OF TRANSPORTATION

TYPICAL EXPRESSWAY CROSS-SECTIONS

SCALE: VERT. / HORIZ.

DRAWN BY / CHECKED BY

F.A. RTE.	SECTION	COUNTY	TOTAL SHEETS	SHEET NO.
VAR. 2022-EXPD-SW	*	*	10	5
STA.		TO STA.		
FED. ROAD DIST. NO.	ILLINOIS	FED. AID PROJECT		

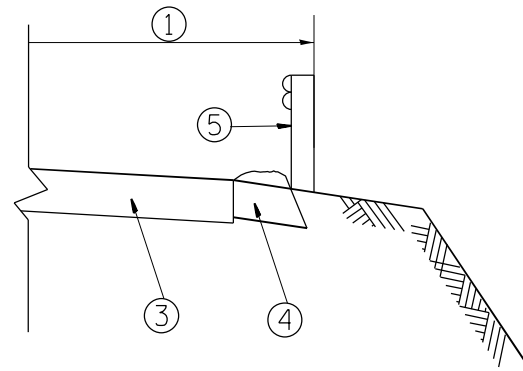
* COOK, DU PAGE, LAKE AND WILL

LEGEND

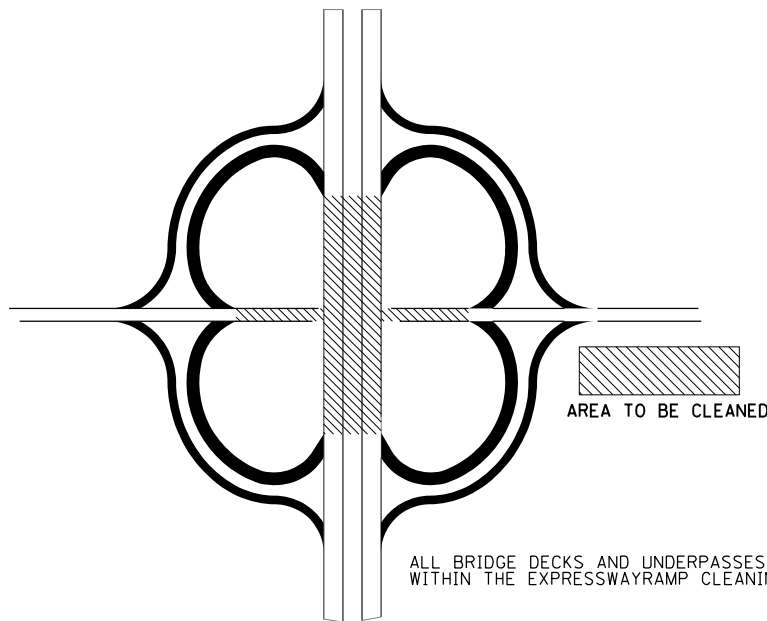
- ① AREA OF ROADWAY CLEANING, DEBRIS AND RUBBISH REMOVAL
- ② CURB AND GUTTER
- ③ TRAVELED ROADWAY
- ④ STABILIZED SHOULDER OR MEDIAN OR SIDEWALK OR NON STABILIZED SURFACES
- ⑤ STEEL PLATE GUARD RAIL (SEE NOTE A)
- ⑥ CONCRETE BARRIER
- ⑦ NON STABILIZED SURFACE
- ⑧ RAISED CONCRETE MEDIAN

NOTE:

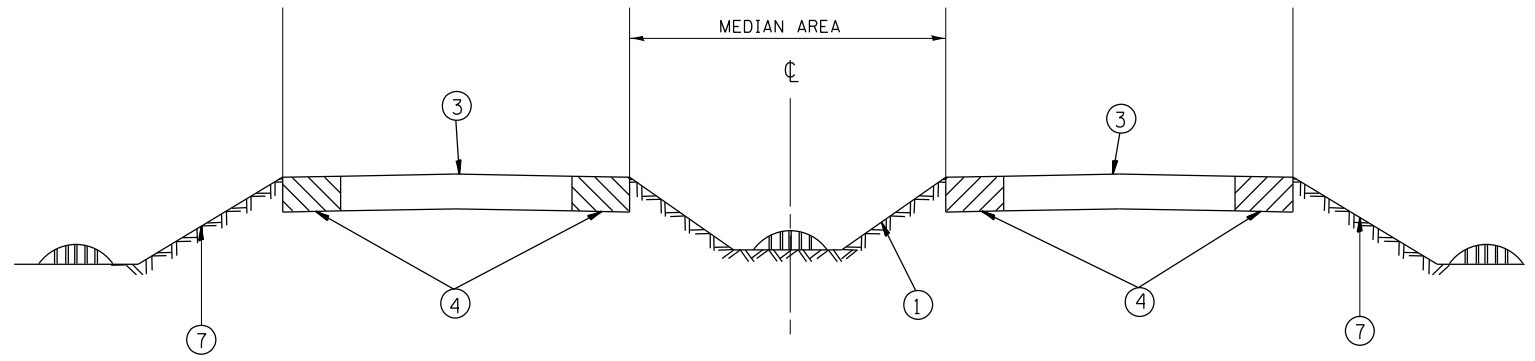
- A) ALL MATERIAL/DEBRIS REGARDLESS OF THE THICKNESS AND SIZE SHALL BE REMOVED AND PROPERLY DISPOSED FROM THE STABILIZED SURFACE.
- B) ALL DRAINAGE STRUCTURES MUST BE CLEARED OF DEBRIS WITHIN THE MEDIAN.



GUARDRAIL LABOR DETAIL



ALL BRIDGE DECKS AND UNDERPASSES MUST BE SWEEPED WITHIN THE EXPRESSWAYRAMP CLEANING CYCLE.



STRUCTURE CLEANING DETAIL

REVISIONS	
NAME	DATE

ILLINOIS DEPARTMENT OF TRANSPORTATION

TYPICAL ROADWAY CLEANING DETAILS

SCALE: VERT. HORIZ. DATE

DRAWN BY CHECKED BY

F.A. RTE.	SECTION	COUNTY	TOTAL SHEETS	SHEET NO.
VAR. 2022-EXPD-SW	*		10	6
STA.		TO STA.		
FED. ROAD DIST. NO.	ILLINOIS	FED. AID PROJECT		

* COOK, DU PAGE, LAKE AND WILL

- DISTRICT NO. 1
- STATE HIGHWAYS & EXPRESSWAYS WITHIN STATE JURISDICTION (EXCEPT TOLLWAYS)
 - STATE HIGHWAYS & EXPRESSWAYS TO BE CLEANED
 - FUTURE HIGHWAYS
 - VARIOUS AGENCIES HIGHWAYS

DAY CLEANING ONLY

I-290 Extension

I-290 from Illinois 83 to Interstate 90 Jane Addams Tollway, Illinois 53 from Interstate 90 Jane Addams Tollway to Lake Cook Road including I-355 from I-290 to Army Trail Road.

Edens Expressway

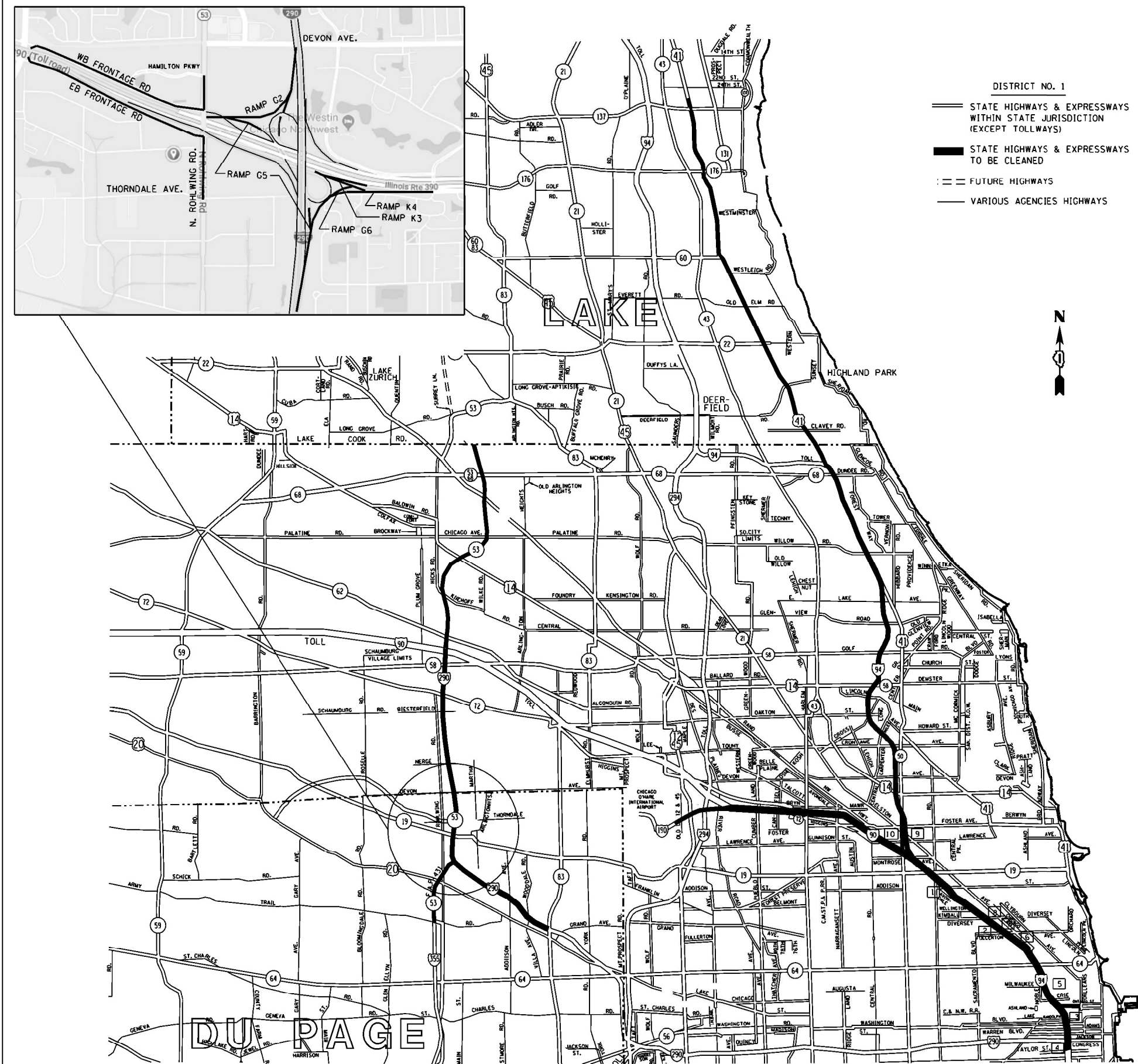
Interstate 94 from Montrose to Dundee Road and U.S. 41 from Dundee Road to 700 lineal feet north of Illinois 137 including two ramps at Clavey Road, two ramps at West Park Avenue, four ramps at Deerpath Road and the entire US 41/Deerfield Road Interchange. Also included is Tower Road from Edens Expressway to Forestway Drive.

Kennedy Expressway

All ramps on Interstate 90/54 from Ogden Ave. to Interstate 90/94 Junction at Edens Expressway, Interstate 90 from Interstate 90/94 Junction at Edens Expressway to Interstate 90/190 Junction, and Interstate 190 from Interstate 90/190 Junction to the East Limits of O'Hare International Airport (Bessie Coleman Rd.) unless ramps are too narrow to allow traffic to pass sweeping crew.

ACCIDENT INVESTIGATION SITES:

1. INBOUND INTERSTATE 90/94 AT ADDISON STREET OFF RAMP.
2. INBOUND INTERSTATE 90/94 ALONG FULLERTON AVENUE UNDER INTERSTATE 90/94.
3. INBOUND INTERSTATE 90/94 IN THE OHIO STREET INFIELD.
4. INTERSTATE 90/94 AT POLK AVENUE.
5. OUTBOUND INTERSTATE 90/94 ALONG DIVISION STREET OFF RAMP.
6. OUTBOUND INTERSTATE 90/94 ALONG INTERSTATE 90/94 AT DAMEN AVENUE.
7. OUTBOUND INTERSTATE 90/94 ALONG FULLERTON AVENUE UNDER INTERSTATE 90/94.
8. OUTBOUND INTERSTATE 90/94 ALONG KIMBALL STREET OFF RAMP.
9. OUTBOUND INTERSTATE 94 ALONG FOSTER AVENUE OFF RAMP.
10. OUTBOUND INTERSTATE 90/94 JUST BEFORE LAWRENCE AVENUE OFF RAMP.



REVISIONS	
NAME	DATE

ILLINOIS DEPARTMENT OF TRANSPORTATION

EXPRESSWAY CLEANING LOCATION MAP
I-290 EXTENSION/ILL. 53, EDENS, KENNEDY

SCALE: VERT. _____
 HORIZ. _____

DATE _____

DRAWN BY _____
CHECKED BY _____

PLOT DATE = 2/18/2022
FILE NAME = p:\n\11405\pub\ben\levy\com\p11405\Documents\11405\District 1\Projects\Sweeping_Contracts\CAD\Design\SweepingContract2017.dgn
PLOT SCALE = 1/8"=1'-0"
USER NAME = michig

F.A. RTE.	SECTION	COUNTY	TOTAL SHEETS	SHEET NO.
VAR. 2022-EXPD-SW	*		10	7
STA.		TO STA.		
FED. ROAD DIST. NO.	ILLINOIS	FED. AID PROJECT		

* COOK, DU PAGE, LAKE AND WILL

DAY CLEANING ONLY

Eisenhower Expressway

Interstate 290 and its appurtenances from Wells St. to Austin Blvd. in its entirety, from Austin Blvd. to IL-83 right hand side and all ramps, the eastbound collector-distributor lanes and ramps at the U.S. 12/20/45 (Mannheim Rd.) interchange and westbound to Roosevelt Rd. on its extension.

Stevenson Expressway

Interstate 55 (Stevenson Expressway) from Lake Shore Drive to the Cook-DuPage county line (County Line Rd.), including First Avenue, from 43rd Street to Archer Avenue, the ramps to and from Joliet Rd. from Interstate 55 to Wolf Rd, the ramps from northbound Interstate 55 to northbound Interstate 294 Tollway and from southbound Interstate 294 Tollway to northbound Interstate 55 (Limits of cleaning on these ramps are from Interstate 55 to the first painted gore south of the bridge over Joliet rd), and all accident investigation sites, excluding the entire Stevenson - Dan Ryan Interchange.

I 55 Expressway

Interstate 55 from Cook - DuPage county line (County Line Rd.) to I-355, I & M Canal to Will Grundy county line (Reed Rd.) in its entirety, including all ramps and the entire I-55 - I-80 Interchange, all accident investigation sites, Blodgett Rd. from Kelly Rd. to West Frontage Rd., Arsenal Rd. from the East Frontage Rd. to Elwood International Port Rd. (Baseline Rd.), and the West Frontage Rd. Connector from Arsenal Rd. to the southbound entrance ramp.

Dan Ryan Expressway

Interstate 94 from Cottage Grove Ave to 31st St right hand side of both local and express lanes and all ramps except slip ramps between local and express lanes and any ramps too narrow to allow traffic to pass sweeping crew.

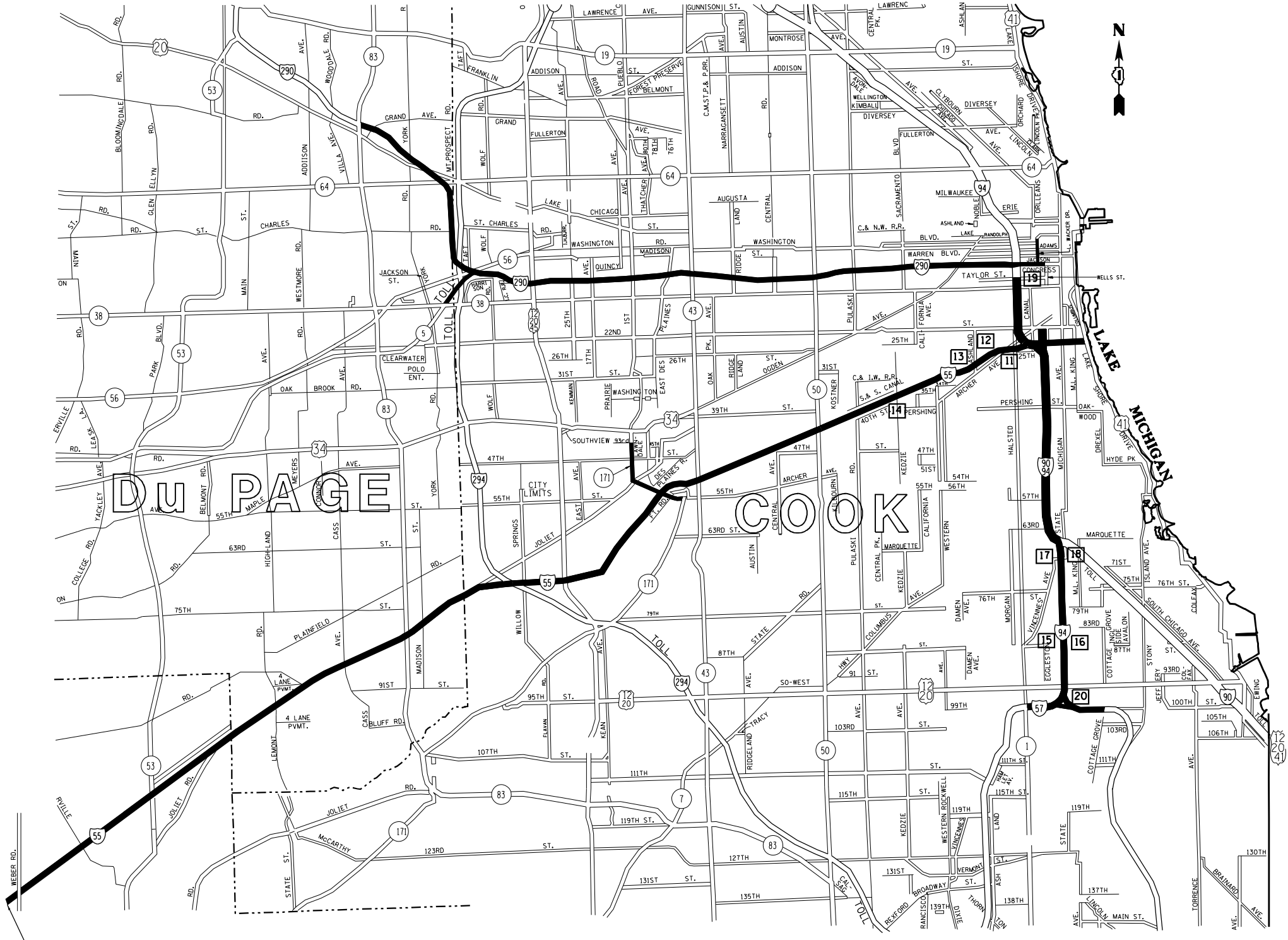
ACCIDENT INVESTIGATION SITES:

FOR LOCATIONS 1-10, SEE INNER CITY EXPRESSWAY (NORTH SECTION)

- 11. INBOUND INTERSTATE 55 AT HALSTED STREET
- 12. OUTBOUND INTERSTATE 55 AT THROOP STREET
- 13. INBOUND INTERSTATE 55 AT WOOD STREET. (LOCATED UNDER I-55)
- 14. OUTBOUND INTERSTATE 55 AT KEDZIE AVENUE
- 15. INTERSTATE 90/94 AT 87th STREET (NORTHBOUND AND SOUTHBOUND)
- 16. INTERSTATE 90/94 AT 71st STREET (NORTHBOUND AND SOUTHBOUND)
- 17. INTERSTATE 90/94 AT POLK STREET
- 18. INTERSTATE 90/94 AT KING DRIVE

DISTRICT NO. 1

- STATE HIGHWAYS & EXPRESSWAYS WITHIN STATE JURISDICTION (EXCEPT TOLLWAYS)
- STATE HIGHWAYS & EXPRESSWAYS TO BE CLEANED
- FUTURE HIGHWAYS
- VARIOUS AGENCIES HIGHWAYS



CONTINUED ON SHEET NO. 9

PLOT DATE = 2/18/2022
 FILE NAME = p:\n\idos-pwben\legcomp\p\1001\Documents\1001\District 1\Projects\Sweeping Contracts\CadData\Design\SweepingContract.ecs2017.dgn
 PLOT SCALE = 1/85,8824 / in.
 USER NAME = midup

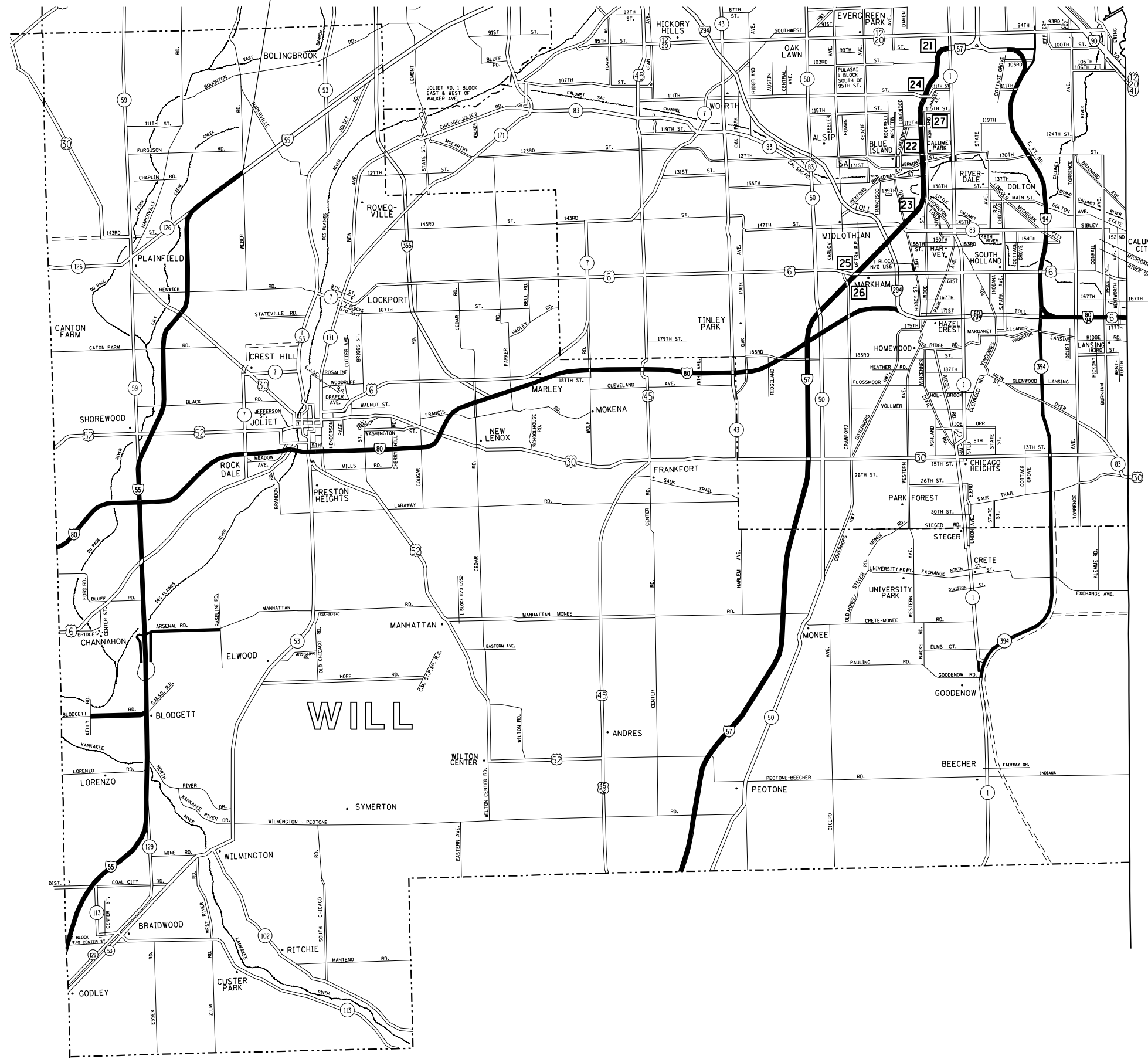
REVISIONS		ILLINOIS DEPARTMENT OF TRANSPORTATION
NAME	DATE	
		EXPRESSWAY CLEANING LOCATION MAP EISENHOWER, STEVENSON, DAN RYAN & I-55

SCALE: VERT. / HORIZ.
DATE: / / DRAWN BY: / CHECKED BY: /

F.A. RTE.	SECTION	COUNTY	TOTAL SHEETS	SHEET NO.
VAR. 2022-EXPD-SW	*		10	8
STA.		TO STA.		
FED. ROAD DIST. NO.	ILLINOIS	FED. AID PROJECT		

* COOK, DU PAGE, LAKE AND WILL

CONTINUED ON SHEET NO. 8



DAY CLEANING ONLY

Bishop Ford/Kingery Expressway
 Interstate 94 from Cottage Grove Avenue to the Indiana State line excluding northbound and southbound left hand side from Cottage Grove Ave. to 171st St., Illinois 394 from Interstate 94 to Goodenow Rd. and the entire Stony Island Avenue - 103rd Street Interchange. Interstate 80 from Interstate 94 to Interstate 294 and all accident investigation sites.

I-57 Expressway
 Interstate 57 from Halsted Street to the Will-Kankakee County Line, in its entirety including the entire I-57 - I-80 interchange and all accident investigation sites, and from Interstate 57 to Interstate 94 Dan Ryan right hand side only.

- [21] - [23] INTERSTATE 57-3 LOCATIONS IN THE MEDIAN BETWEEN HALSTED AND 147th ST.
- [24] OUTBOUND INTERSTATE 57 AT 111th STREET EXIT RAMP
- [25] - [26] INTERSTATE 57 - 2 LOCATIONS ON THE 167th STREET RAMPS
- [27] INTERSTATE 57 - IN THE MEDIAN AT 119th STREET

I-80 Expressway
 Interstate 80 from Interstate 294 Tri-State Tollway/Interstate I-294 to US 30 and ramps I-294 to US 45, including the ramp from eastbound Interstate 80 to northbound Interstate 294 and from southbound Interstate 294 to westbound Interstate 80.

Note: Include the following two (2) ramps at Interstate 294
 1. Southbound Interstate 294 to westbound Interstate 80.
 2. Eastbound Interstate 80 to northbound Interstate 294.

NOTE: 3
 WEST OF WHEELER RD CAN ONLY BE OCCUPIED BY ONE SWEEPING CREW AT A TIME.

INDIANA

- DISTRICT NO. 1
- STATE HIGHWAYS & EXPRESSWAYS WITHIN STATE JURISDICTION (EXCEPT TOLLWAYS)
 - STATE HIGHWAYS & EXPRESSWAYS TO BE CLEANED
 - FUTURE HIGHWAYS
 - VARIOUS AGENCIES HIGHWAYS

REVISIONS	
NAME	DATE

ILLINOIS DEPARTMENT OF TRANSPORTATION

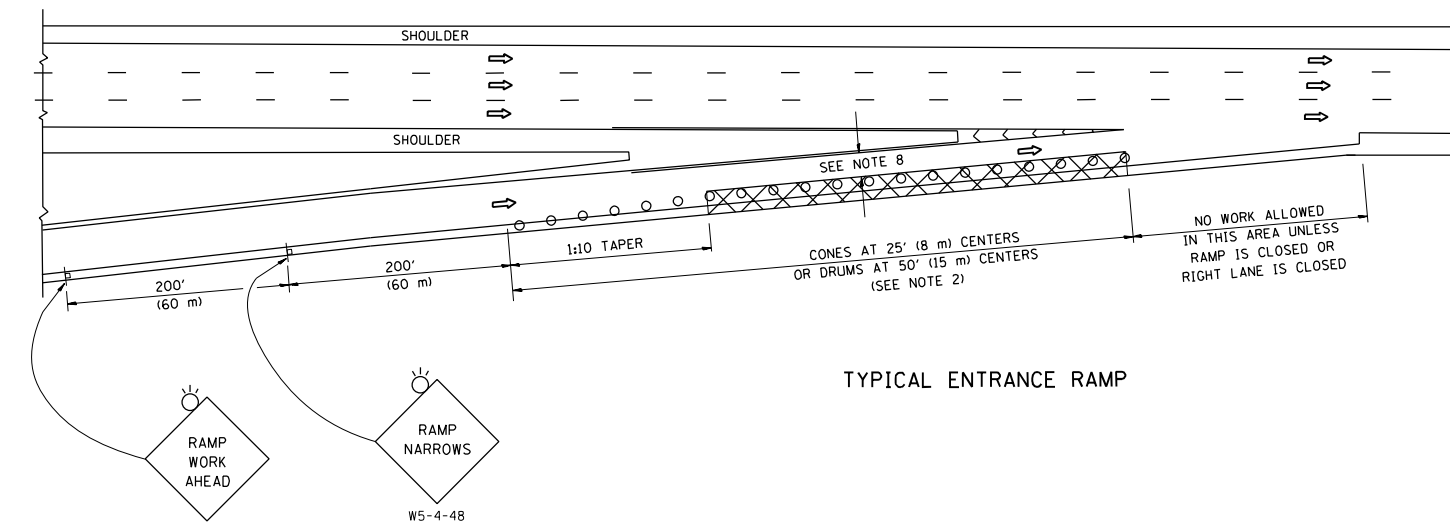
EXPRESSWAY CLEANING LOCATION MAP
 BISHOP FORD, KINGERY, I-55, I-57 AND I-80

SCALE: VERT. _____
 DATE _____

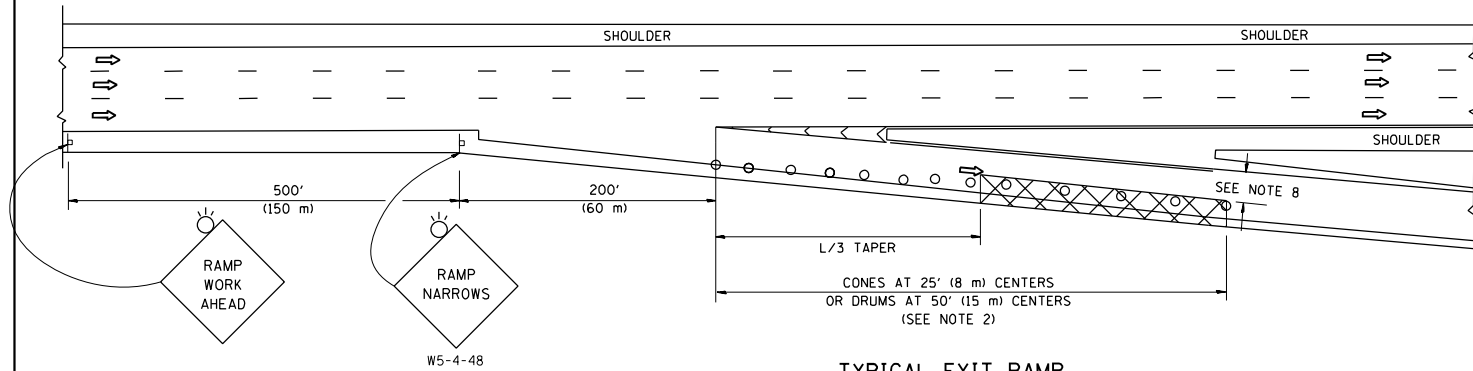
DRAWN BY _____
 CHECKED BY _____

PLOT DATE = 2/18/2022
 FILE NAME = p:\n\1\do-projects\sw\will\Documents\1001\District 1\Projects\Sweeping_Contracts\CadData\Design\SweepingContract.ecs2017.dgn
 PLOT SCALE = 1:85,882.4 / in.
 USER NAME = midup

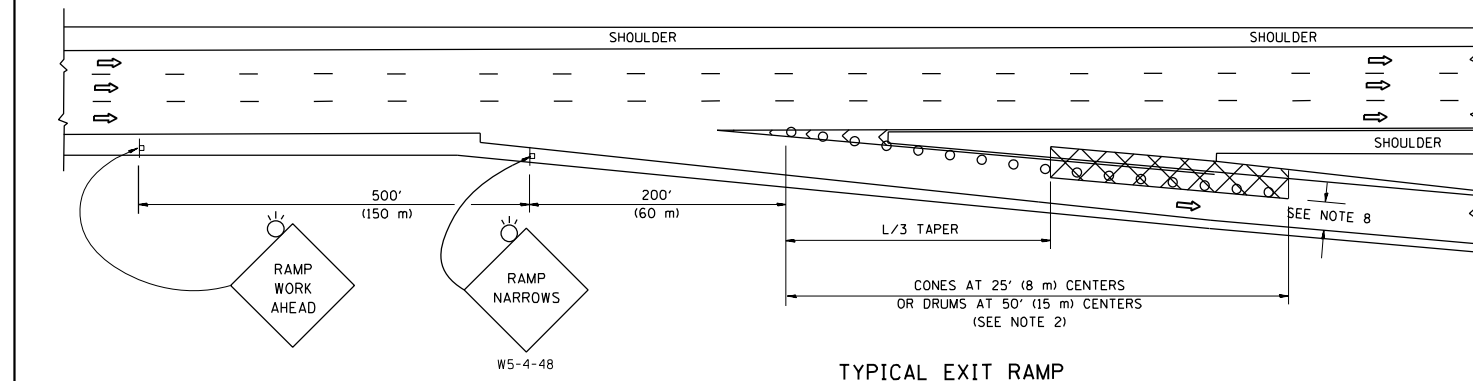
PARTIAL RAMP CLOSURE DETAILS



TYPICAL ENTRANCE RAMP



TYPICAL EXIT RAMP



TYPICAL EXIT RAMP

SYMBOLS

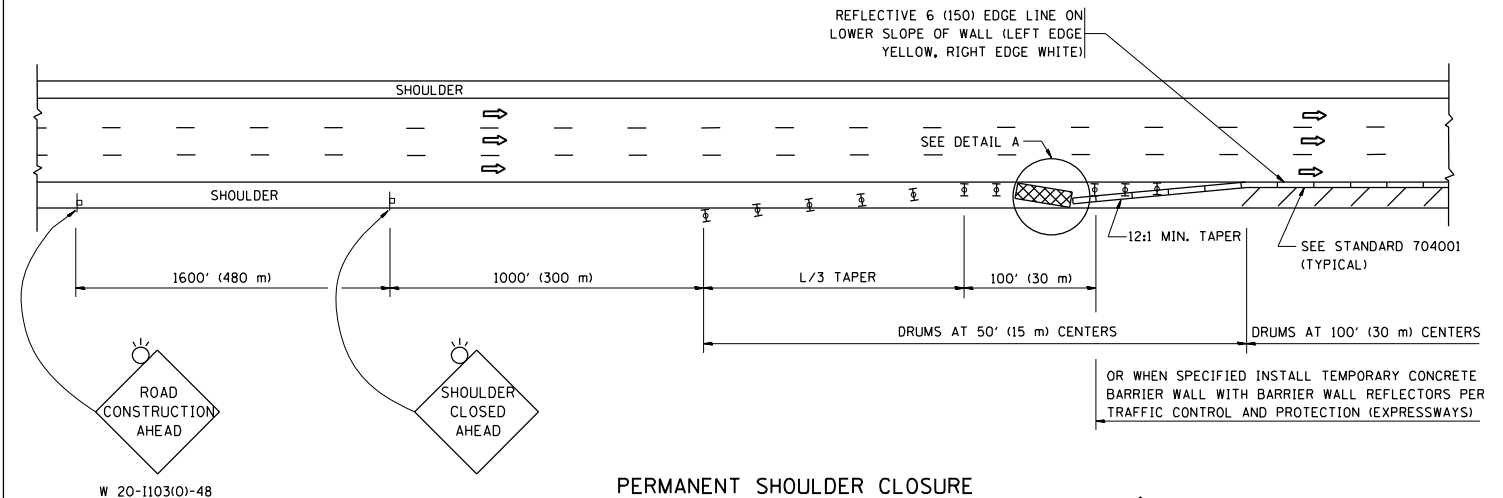
- ACTIVE WORK AREA
- SIGN ON PORTABLE OR PERMANENT SUPPORT
- FLAGGER WITH CONTROL SIGN
- TYPE II BARRICADE OR DRUM
- CONE, DRUM OR BARRICADE
- IMPACT ATTENUATOR OF TYPE AND TEST LEVEL SPECIFIED

GENERAL NOTES

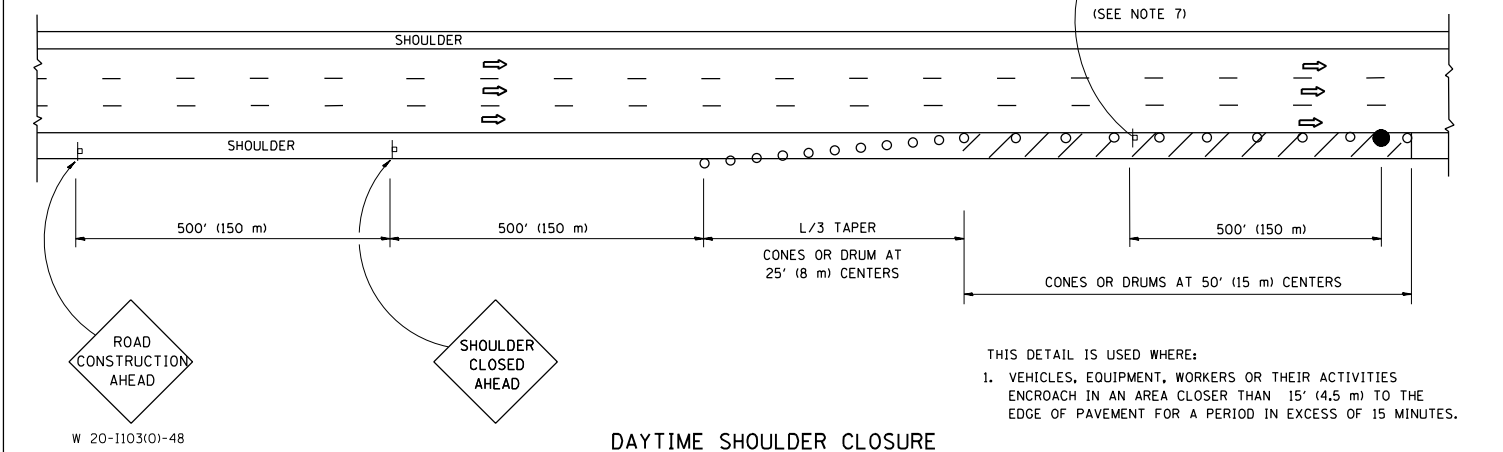
1. THE "L" DISTANCE EQUALS:

SPEED LIMIT	FORMULAS
45 mph (80 km/h) OR GREATER:	METRIC ENGLISH L=0.65(W)(S) L=(W)(S)
W = WIDTH OF OFFSET IN FEET (METERS)	
S = NORMAL POSTED SPEED MPH (KM/H)	
2. TYPE II BARRICADES OR DRUMS ARE REQUIRED FOR ALL NIGHTTIME CLOSURES. TYPE II BARRICADES OR DRUMS WITH MONODIRECTIONAL STEADY BURN LIGHTS ARE REQUIRED FOR DELINEATING OBSTACLES, EXCAVATIONS, OR HAZARDS EXCEEDING 100 FT (30m) IN LENGTH AT NIGHT.
3. ALL SIGNS SHALL BE POST MOUNTED IF THE CLOSURE TIME EXCEEDS FOUR DAYS.
4. FLASHING LIGHTS SHALL BE USED DURING THE HOURS OF DARKNESS AND SHALL BE INSTALLED ABOVE THE FIRST TWO SETS OF SIGNS.

SHOULDER CLOSURE DETAILS

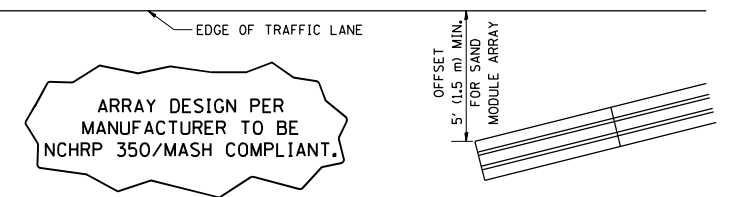


PERMANENT SHOULDER CLOSURE



DAYTIME SHOULDER CLOSURE

THIS DETAIL IS USED WHERE:
 1. VEHICLES, EQUIPMENT, WORKERS OR THEIR ACTIVITIES ENCRANCH IN AN AREA CLOSER THAN 15' (4.5 m) TO THE EDGE OF PAVEMENT FOR A PERIOD IN EXCESS OF 15 MINUTES.



DETAIL "A"
 IMPACT ATTENUATOR, TEMPORARY
 (SEE NOTE 5)

5. THE IMPACT ATTENUATOR, TEMPORARY IS NOT REQUIRED WHEN THE TEMPORARY CONCRETE BARRIER WALL IS PROTECTED BY OR IS TIED INTO THE EXISTING GUARDRAIL. IF OFFSET IS LESS THAN 5 FEET USE NARROW USE TYPE DEVICE TO MEET NCHRP350/MASH.
6. AUTHORIZATION FROM THE DISTRICT'S BUREAU OF TRAFFIC IS REQUIRED FOR ALL FREEWAY CLOSURES.
7. THE FLAGGER AND FLAGGER SIGN ARE REQUIRED AT THE ABOVE WORK SITES WHEN:
 - a. FOUR OR MORE WORK VEHICLES ENTER THE TRAFFIC LANES IN A ONE HOUR PERIOD.
 - b. THE WORK AVTIVITY REQUIRES FREQUENT ENCRACHMENT INTO THE LANE OPEN TO TRAFFIC.
 THE FLAGGER SHALL BE STATIONED APPROXIMATELY 100' (30 m) TO 200' (60 m) IN ADVANCE OF THE WORKERS.
8. 12' MIN. WIDTH TANGENT SECTION
 16' MIN. WIDTH CURVE SECTION.

ALL DIMENSIONS ARE IN INCHES (MILLIMETERS) UNLESS OTHERWISE SHOWN.

* COOK, DU PAGE, LAKE AND WILL

FILE NAME =	USER NAME = midyja	DESIGNED -	REVISED - S.P.B. 01-07
pw:\idot-pw\bentley.com\PROJECTS\SWEEPING CONTRACTS\2022-EXPD-SW\2022-EXPD-SW.dwg	PROJECT = SWEEPING CONTRACTS	DRAWN -	REVISED - S.P.B. 12-09
Default	PLOT SCALE = 100.0000' / in.	CHECKED -	REVISED - M.D. 06-13
	PLOT DATE = 2/10/2022	DATE -	REVISED - M.D. 01-18

STATE OF ILLINOIS
 DEPARTMENT OF TRANSPORTATION

TRAFFIC CONTROL DETAILS FOR FREEWAY
 SHOULDER CLOSURES AND PARTIAL RAMP CLOSURES

SCALE: NONE SHEET 1 OF 1 SHEETS STA. TO STA.

F.A. RTE.	SECTION	COUNTY	TOTAL SHEETS	SHEET NO.
	2022-EXPD-SW	*	10	10
	TC-17		CONTRACT NO. 62R49	
ILLINOIS FED. AID PROJECT				