

WENTWORTH AVENUE AND NORTHBOUND DAN RYAN RAMPS

F.A.I. RTE.	SECTION	COUNTY	TOTAL SHEETS	SHEET NO.
90/94	2021-922PT.1-AC	COOK	460	78
STA.	TO STA.			
FED. ROAD DIST. NO. 1	ILLINOIS	FED. AID PROJECT		

62693

SCHEDULE OF DRAINAGE STRUCTURES

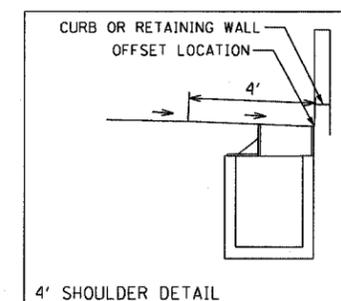
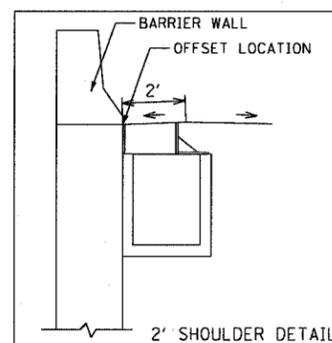
SHEET NO.	STR. NO.	STATION	OFFSET	STRUCTURE TYPE				DIA.	FRAME & LID	RIM (FT)	N INVERT (FT)	S INVERT (FT)	E INVERT (FT)	W INVERT (FT)	(OTHER) INVERT (FT)	
				MH	CB	INL	CDOT /IDOT									
1	EA01	100+70	15' LT		A		CDOT	4'	TYPE 1, OPEN LID	21.93			15.83			
	EA02	100+70	15' RT		A		CDOT	4'	TYPE 1, OPEN LID	21.93			16.83			
	EA03	102+50	18' LT		C		CDOT	2'	TYPE 1, OPEN LID	21.57			15.47			
	EA04	102+50	15' RT		A		CDOT	4'	TYPE 1, OPEN LID	21.64			16.54			
2	EB01	104+11	39' LT		A		CDOT	4'	TYPE 1, OPEN LID	21.24			16.14			
	EB02	104+75	30' LT		A		CDOT	4'	TYPE 1, OPEN LID	21.32			16.22			
	EB04	105+00	24' RT		A		CDOT	4'	TYPE 1, OPEN LID	20.95			15.85			
	EB06	106+90	18' RT		C		CDOT	2'	TYPE 1, OPEN LID	15.45			12.00			
	EB07	103+70	18' LT		A		CDOT	4'	TYPE 1, OPEN LID	21.02			15.92			
	EB08	103+70	15' RT		A		CDOT	4'	TYPE 1, OPEN LID	21.02			15.92			
	EB09	107+70	18' RT		C		CDOT	2'	TYPE 1, OPEN LID	14.72			11.80			
	EB10	105+06	78' LT			A	IDOT	2'	TYPE 12	2.31			-1.50			
	EB11	106+59	78' LT			A	IDOT	2'	TYPE 12	3.06		1.06				
	3	EC01	9501+84	4' RT		A		IDOT	4'	TYPE 1, OPEN LID	17.09			11.99		
		EC02	9501+85	7' RT		A		IDOT	4'	TYPE 1, CLOSED LID	17.31	11.78		11.88		
EC03		9504+85	18' LT		C		IDOT	2'	TYPE 20	11.79			6.69			
EC04		9504+85	4' RT		A		IDOT	4'	TYPE 20	11.39			6.29			
EC05		9504+85	7' LT		A		IDOT	4'	TYPE 1, CLOSED LID	11.69	4.58	5.68	6.18	6.58		
EC06		108+04	20' RT		A		CDOT	4'	TYPE 1, OPEN LID	14.96			12.00			
EC07		111+20	28' RT			A	CDOT	2'	TYPE 1, OPEN LID	20.33			17.08			
EC08		112+90	28' RT			A	CDOT	2'	TYPE 1, OPEN LID	19.97			16.72			
EC09		112+88	6' RT		A		CDOT	3'	TYPE 1, CLOSED LID	20.68	9.62	9.62				
EC10		109+75	78' LT			A	IDOT	2'	TYPE 12	2.67			0.17			
EC11		111+61	78' LT			A	IDOT	2'	TYPE 12	1.89			-2.61			
EC12		112+88	22' RT			A	CDOT	4'	TYPE 1, OPEN LID	20.17			16.66	14.75		
4	ED01	9507+10	18' LT		C		IDOT	2'	TYPE 20	1.34			-3.66			
	ED02	9507+10	4' RT		A		IDOT	4'	TYPE 20	0.94			-3.86			
	ED03	9507+10	7' LT		A		IDOT	4'	TYPE 1, CLOSED LID	1.24	-4.27	-4.27	-3.97	-3.77		
	ED04	9508+50	4' RT			A	IDOT	4'	TYPE 20	-0.45			-5.45			
	ED05	9508+50	7' LT		A		IDOT	5'	TYPE 1, CLOSED LID	-0.15	-5.56	-5.56	-5.56	-6.06		
	ED07	9509+70	11' RT		A		IDOT	4'	TYPE 1, CLOSED LID	0.61	-6.10	-6.10	-6.06			
	ED08	9511+00	12' RT		A		IDOT	4'	TYPE 1, CLOSED LID	0.00	-6.87	-6.87	-6.00	-6.75		
	ED09	9509+70	5' RT			A	IDOT	4'	TYPE 24	-1.20			-6.00			
	ED10	9511+00	6' RT			A	IDOT	4'	TYPE 24	-1.99			-6.69			
	ED11	9506+45	33' LT			C	IDOT	2'	TYPE 12	1.03			-4.18			
	ED12	115+55	28' RT			A	CDOT	2'	TYPE 1, OPEN LID	19.64			16.39			
	ED13	116+87	28' RT			A	CDOT	2'	TYPE 1, OPEN LID	19.40			16.15			
	ED14	116+87	24' RT			A	CDOT	4'	TYPE 1, OPEN LID	19.50			14.40			
	ED15	116+03	7' RT		B		CDOT	3'	TYPE 1, CLOSED LID	20.17	11.04	10.84	10.94			
	5	EE01	9512+00	4' RT			A	IDOT	2'	TYPE 20	-2.28	-6.78				
EE02		9512+30	4' RT			A	IDOT	2'	TYPE 20	-2.28		-6.78				
EE03		9512+15	4' RT			A	IDOT	4'	TYPE 20	-2.30	-6.93	-6.93	-7.28			
EE04		9512+12	27' LT		A		IDOT	5'	TYPE 1, CLOSED LID	-1.60	-7.59	-7.59	-7.59	-8.34		
EE05		9512+60	32' LT			A	IDOT	4'	TYPE 1, OPEN LID	-1.52		-7.59	-7.45			
EE06		9513+25	4' RT			A	IDOT	4'	TYPE 20	-1.86			-6.56			
EE07		9513+19	44' LT			A	IDOT	4'	TYPE 1, OPEN LID	-1.15			-6.94	-6.08		
EE08		9514+50	4' RT			A	IDOT	4'	TYPE 20	-0.70			-5.50			
EE09		9515+70	23' LT			C	IDOT	2'	TYPE 20	0.08			-3.38			
EE10		9515+70.3	18' LT			A	IDOT	4'	TYPE 20	0.90			-4.20	-4.16		
EE11		9515+70	8' LT			A	IDOT	4'	TYPE 1, CLOSED LID	0.82	-4.30	-4.40	-4.30			
EE12		9514+50	8' LT			A	IDOT	4'	TYPE 1, CLOSED LID	0.38	-5.60		-5.62	-5.85		
EE13		9514+50	52' LT			A	IDOT	4'	TYPE 1, OPEN LID	0.33			-6.10	-5.30		
EE14		118+35	28' RT			A	CDOT	2'	TYPE 1, OPEN LID	19.27			16.02			
EE15		118+35	24' RT			A	CDOT	4'	TYPE 1, OPEN LID	19.37			15.98	14.27		
EE16		121+10	28' RT			C	CDOT	2'	TYPE 1, OPEN LID	18.57			12.47			
EE17		119+35	8' RT			A	CDOT	3'	TYPE 1, CLOSED LID	19.62	10.48	10.48				
EE18	121+15	7' RT			A	CDOT	3'	TYPE 1, CLOSED LID	19.27	10.14	10.14					
EE19	122+75	9' RT			A	CDOT	3'	TYPE 1, CLOSED LID	19.21	9.18	9.18					
6	EF01	127+58	4' LT			A	CDOT	4'	TYPE 1, OPEN LID	18.68			13.58			
	EF02	9520+47	31' LT			A	IDOT	4'	TYPE 12	0.88			-3.12			
	EF03	9518+50	18' LT			A	IDOT	4'	TYPE 20	13.01			7.91			
	EF04	9518+50	4' RT			A	IDOT	4'	TYPE 20	12.61			7.51			
	EF05	9518+50	8' LT			A	IDOT	4'	TYPE 1, CLOSED LID	12.93		6.79	7.39	7.81		
	EF06	9516+51.5	4' RT			C	IDOT	2'	TYPE 20	2.34			-2.76			
	EF07	9516+50	8' LT			A	IDOT	4'	TYPE 1, CLOSED LID	2.61	-2.93	-3.03	-2.88			
	EF08	124+05	28' RT			A	CDOT	2'	TYPE 1, OPEN LID	18.32			15.07			
	EF09	125+40	28' RT			A	CDOT	2'	TYPE 1, OPEN LID	17.97			14.72			
	EF10	126+58	9' RT			A	CDOT	3'	TYPE 1, CLOSED LID	18.74	7.75	7.75				
	EF11	124+45	9' RT			B	CDOT	4'	TYPE 1, CLOSED LID	18.69	7.34	7.34	5.84			
	EF12	9517+04	28' LT			A	IDOT	4'	TYPE 1, OPEN LID	1.44			-2.65			
7	EG01	129+61	39' LT			A	IDOT	2'	TYPE 12	-1.13			-3.00			

SHEET NO.	STR. NO.	STATION	OFFSET	STRUCTURE TYPE				DIA.	FRAME & LID	RIM (FT)	N INVERT (FT)	S INVERT (FT)	E INVERT (FT)	W INVERT (FT)	(OTHER) INVERT (FT)	
				MH	CB	INL	CDOT /IDOT									
7	EG04	128+84	9' RT		A		CDOT	3'	TYPE 1, CLOSED LID	18.27	8.21	8.21				
	EG05	128+05	28' RT				A	CDOT	2'	TYPE 1, OPEN LID	17.74			14.49		
	EG06	130+25	28' RT				A	CDOT	4'	TYPE 1, OPEN LID	17.31			11.21		
	EG07	131+34	58' RT				A	CDOT	4'	TYPE 1, OPEN LID	17.55			11.45		
	EG08	130+85	9' RT		B		CDOT	3'	TYPE 1, CLOSED LID	18.04	8.71	8.71		8.71		

NORTHBOUND DAN RYAN RAMPS

UNDERDRAIN PIPE LIMITS	OFFSET	PIPE UNDERDRAINS 6" (FT)	OUTLET PIPE REQUIRED (Y/N)	CONNECTING STRUCTURE	PIPE UNDERDRAIN 6" (SPECIAL) (FT)
9502+83 - 9501+84	4' RT	100	Y	EC01	4
9502+83 - 9504+85	4' RT	201	Y	EC04	4
9504+85 - 9507+10	4' RT	223	Y	ED02	4
9507+10 - 9508+50	4' RT	138	Y	ED04	4
9508+50 - 9509+70	4' RT	74	Y	ED07	45
9509+70 - 9509+70	4' RT	29	Y	ED09	4
9509+70 - 9511+00	6.5' RT	126	Y	ED10	4
9511+00 - 9512+00	5' RT	100	Y	EE01	4
9512+03 - 9512+15	4' RT	12	Y	EE03	4
9512+27 - 9512+15	4' RT	12	Y	EE03	4
9512+15 - 9512+12	-	30	Y	EE03	4
9513+25 - 9512+30	4' RT	95	Y	EE02	4
9514+50 - 9513+25	4' RT	125	Y	EE06	4
9516+52 - 9514+50	4' RT	202	Y	EE08	4
9518+50 - 9516+52	4' RT	198	Y	EF06	4
9520+16 - 9518+50	4' RT	164	Y	EF04	4
115+40 - 115+40	N/A	-	Y	ED04	45
120+12 - 120+12	N/A	-	Y	EE06	26
122+44 - 122+57	N/A	-	Y	EE11	27
124+46 - 123+92	N/A	-	Y	EF12	65
127+53 - 127+36	N/A	-	Y	EF02	25
TOTALS		1889			297

NOTE: FRONTAGE ROAD OFFSETS AND RIM ELEVATIONS ARE PROVIDED AT THE EDGE OF PAVEMENT. RAMP AND TEMPORARY PAVEMENT OFFSETS AND RIM ELEVATIONS ARE PROVIDED AT THE FACE OF CURB, BARRIER WALL, OR RETAINING WALL. ALL OFFSETS AND RIM ELEVATIONS ARE PROVIDED AT THE CENTER OF STRUCTURE IF IN PAVEMENT.



ABBREVIATIONS  
 A = TYPE A  
 C = TYPE C  
 CS = COMBINED SEWER  
 C.O.C. = CITY OF CHICAGO  
 EX = EXISTING DRAINAGE STRUCTURE  
 RG = RUBBER GASKET  
 SS = STORM SEWER  
 TBFF = TRENCH BACKFILL  
 WMR = WATER MAIN REQUIREMENTS

REVISIONS	
NAME	DATE

ILLINOIS DEPARTMENT OF TRANSPORTATION  
 F.A.I. 90/94 (DAN RYAN EXPRESSWAY)  
 63rd ST TO 59th ST (FRONTAGE ROAD & RAMPS)

SCHEDULE OF QUANTITIES  
 NORTHBOUND DRAINAGE  
 STRUCTURES AND PIPE UNDERDRAINS

SCALE: NONE  
 DATE: October 29, 2004  
 DRAWN BY: JB  
 CHECKED BY: EY