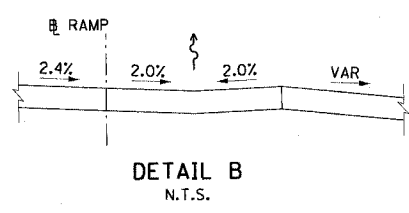
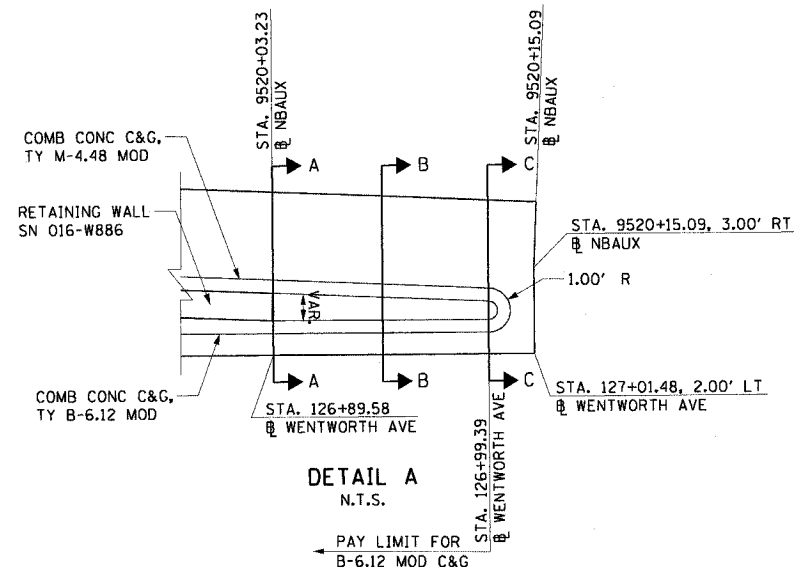
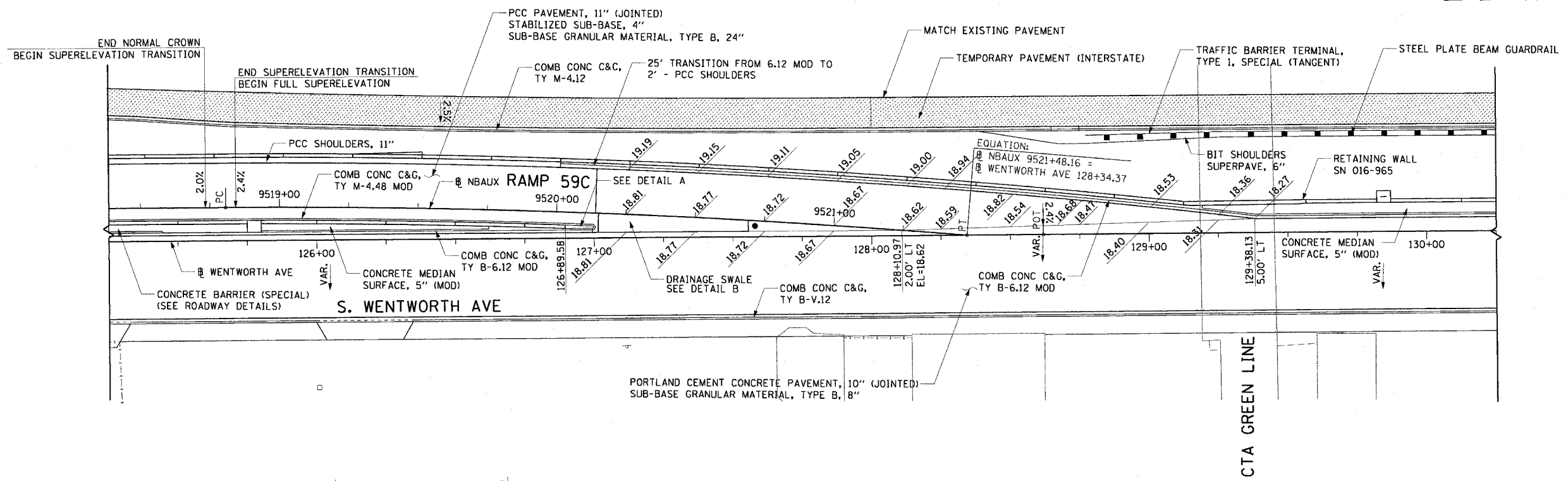
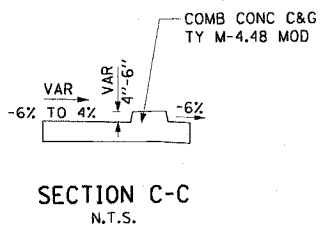
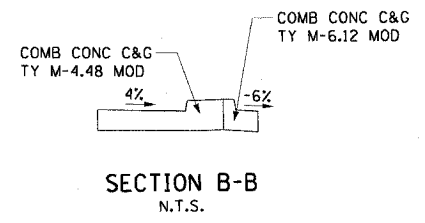
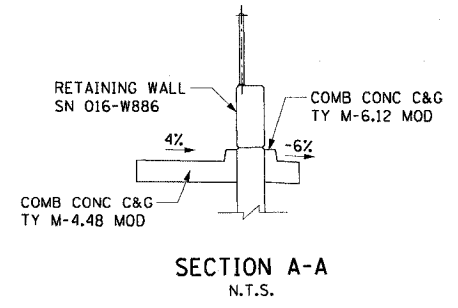


F.A.I. RTE.	SECTION	COUNTY	TOTAL SHEETS	SHEET NO.
90/94	2021-922PT.1-AC	COOK	460	115
STA.	TO STA.			
FED. ROAD DIST. NO. 1 ILLINOIS FED. AID PROJECT				

62693



- NOTES:
1. SEE EXISTING AND PROPOSED ROADWAY PLANS FOR WENTWORTH AVE GRADING.
 2. ALL STATION CALLOUTS ARE BASED ON THE NBAUX BASELINE, UNLESS OTHERWISE NOTED.
 3. ELEVATIONS ARE SHOWN ON EVEN 25' INTERVALS, UNLESS OTHERWISE NOTED.
 4. SEE PAVEMENT JOINT AND ELEVATION PLANS FOR RAMP GRADING.



REVISIONS	
NAME	DATE

ILLINOIS DEPARTMENT OF TRANSPORTATION
 F.A.I. 90/94 (DAN RYAN EXPRESSWAY)
 63rd ST TO 59th ST (FRONTAGE ROAD & RAMPS)

**GORE DETAILS
 RAMP 59C**

SCALE: 1"=20'
 DATE: October 29, 2004
 DRAWN BY: NJH
 CHECKED BY: RMG

11/23/2004 03:59:24 PM