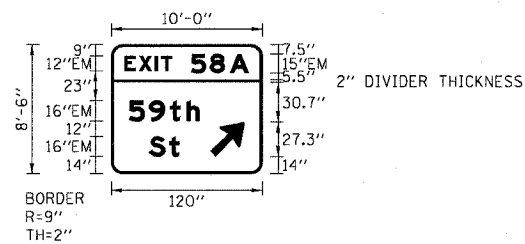


SIGN DETAIL



| | | | |
|----------------|-----------------|------------|--|
| SIGN NUMBER | 1C0161094L058.5 | | |
| WIDTH x HEIGHT | 10'-0" x 8'-6" | | |
| BORDER WIDTH | 2" | | |
| CORNER RADIUS | 9" | | |
| MOUNTING | Overhead | | |
| BACKGROUND | TYPE: | REFLECTIVE | |
| | COLOR: | GREEN | |
| LEGEND/BORDER | TYPE: | REFLECTIVE | |
| | COLOR: | WHITE | |

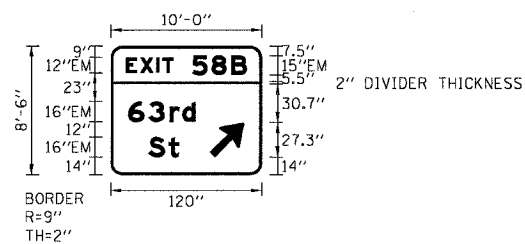
| SYMBOL | X | Y | WID | HT |
|--------|------|----|------|------|
| ARMED | 78.7 | 14 | 22.3 | 35.1 |
| | | | | |
| | | | | |
| | | | | |
| | | | | |
| | | | | |

DIMENSIONS ARE IN INCHES.TENTHS

LETTER LOCATIONS ARE PANEL EDGE TO LOWER LEFT CORNER

| LETTER POSITIONS (X) | | | | | | | LENGTH SERIES, SIZE | |
|----------------------|------|------|------|------|------|------|---------------------|-----------|
| E | X | I | T | 5 | 8 | A | | |
| 10.6 | 21.9 | 34.8 | 39.6 | 63.4 | 78.5 | 94.4 | 98.7 | EM12,EM15 |
| 5 | 9 | f | h | | | | 56.3 | EM16/12 |
| 14 | 30 | 47 | 60 | | | | | |
| S | t | | | | | | 24.2 | EM16/12 |
| 30 | 46.2 | | | | | | | |
| | | | | | | | | |
| | | | | | | | | |
| | | | | | | | | |
| | | | | | | | | |
| | | | | | | | | |
| | | | | | | | | |
| | | | | | | | | |
| | | | | | | | | |
| | | | | | | | | |
| | | | | | | | | |

SIGN DETAIL



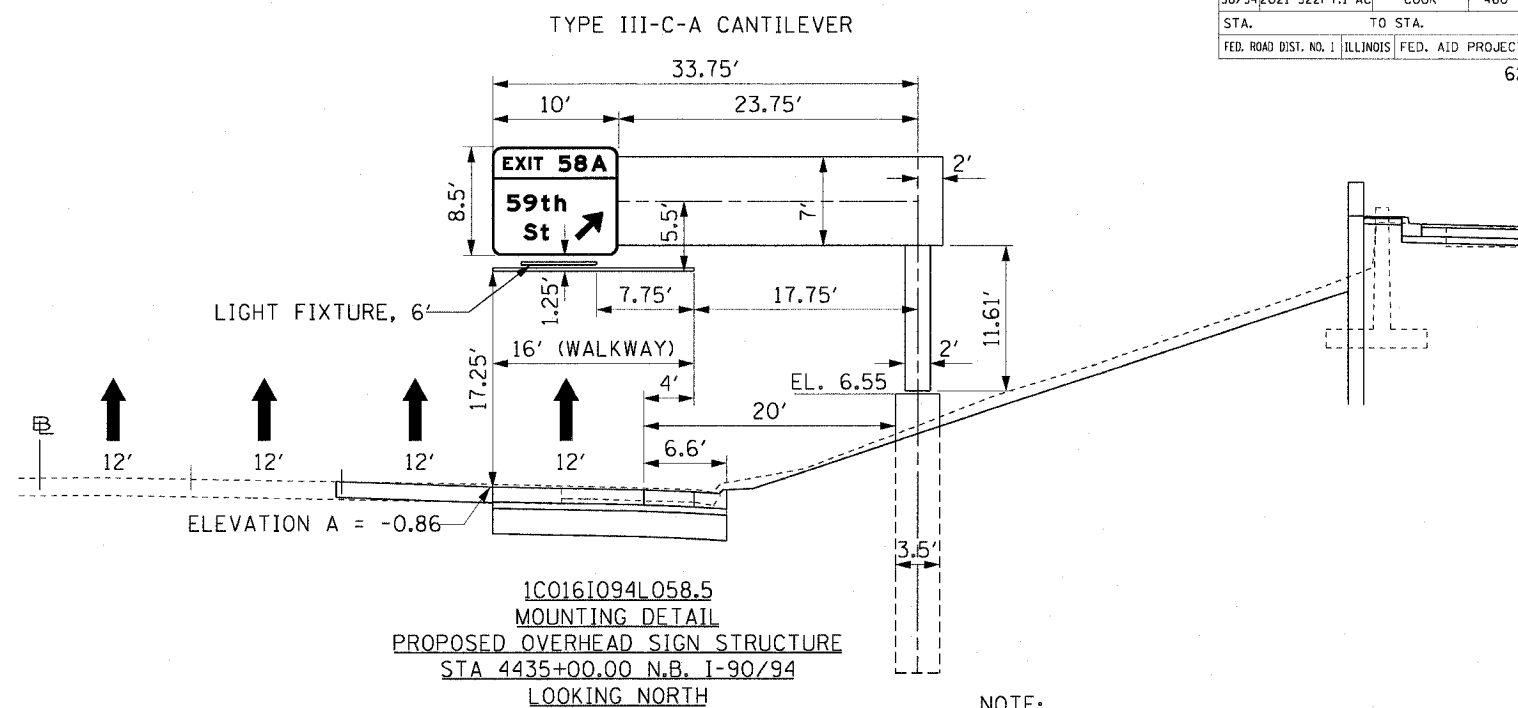
| | | | |
|----------------|-----------------|------------|--|
| SIGN NUMBER | 1C0161094R058.5 | | |
| WIDTH x HEIGHT | 10'-0" x 8'-6" | | |
| BORDER WIDTH | 2" | | |
| CORNER RADIUS | 9" | | |
| MOUNTING | OVERHEAD | | |
| BACKGROUND | TYPE: | REFLECTIVE | |
| | COLOR: | GREEN | |
| LEGEND/BORDER | TYPE: | REFLECTIVE | |
| | COLOR: | WHITE | |

| SYMBOL | X | Y | WID | HT |
|--------|------|----|------|------|
| ARMED | 78.7 | 14 | 22.3 | 35.1 |
| | | | | |
| | | | | |
| | | | | |
| | | | | |
| | | | | |

DIMENSIONS ARE IN INCHES.TENTHS

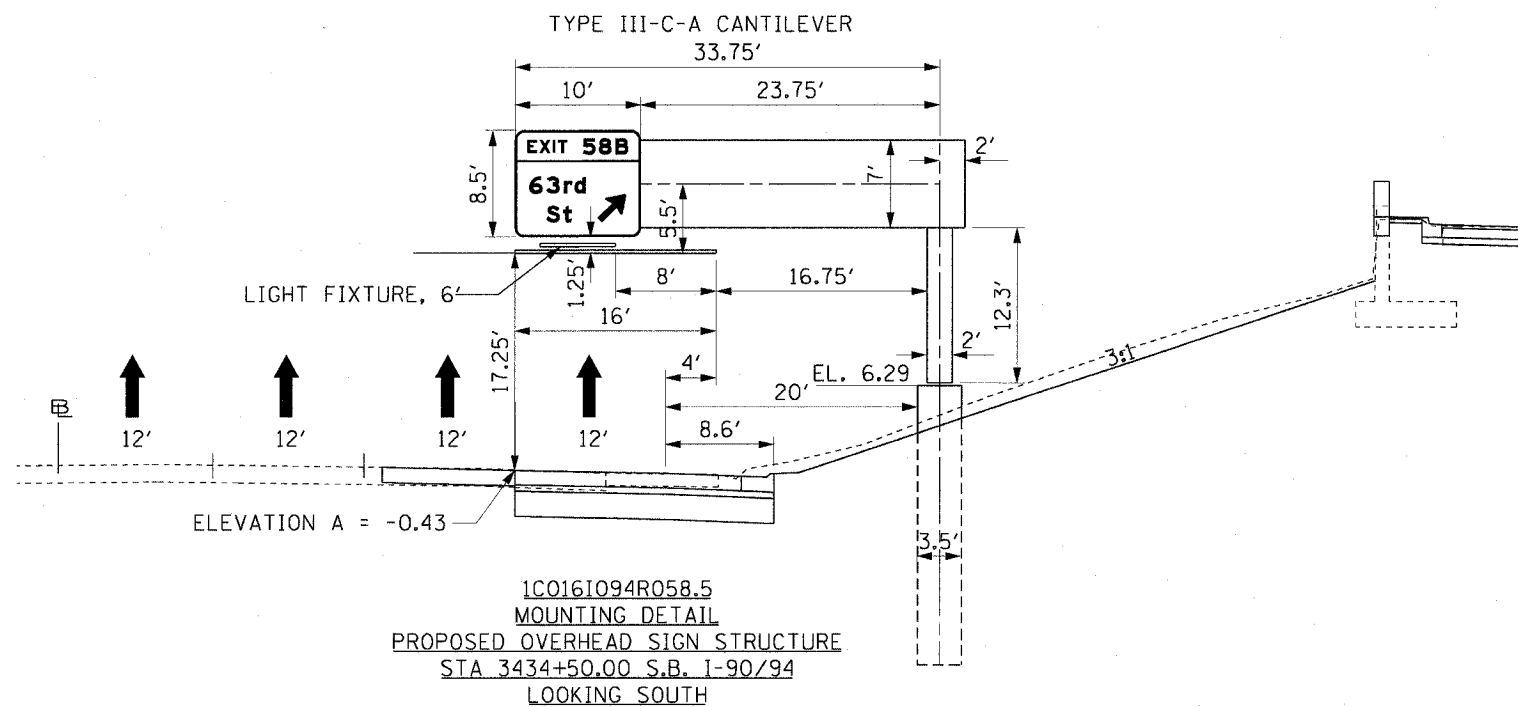
LETTER LOCATIONS ARE PANEL EDGE TO LOWER LEFT CORNER

| LETTER POSITIONS (X) | | | | | | | LENGTH SERIES, SIZE | |
|----------------------|------|------|------|------|------|------|---------------------|-----------|
| E | X | I | T | 5 | 8 | B | | |
| 12.2 | 23.4 | 36.3 | 41.1 | 64.9 | 80.1 | 96.1 | 95.7 | EM12,EM15 |
| 6 | 3 | r | d | | | | 53.4 | EM16/12 |
| 14 | 30 | 47 | 57.1 | | | | | |
| S | t | | | | | | 24.2 | EM16/12 |
| 30 | 46.2 | | | | | | | |
| | | | | | | | | |
| | | | | | | | | |
| | | | | | | | | |
| | | | | | | | | |
| | | | | | | | | |
| | | | | | | | | |
| | | | | | | | | |
| | | | | | | | | |
| | | | | | | | | |



1C0161094L058.5
MOUNTING DETAIL
PROPOSED OVERHEAD SIGN STRUCTURE
STA 4435+00.00 N.B. I-90/94
LOOKING NORTH

NOTE:
LIGHT FIXTURES AND WIRING SHALL BE
INSTALLED PRIOR TO ERECTION. COORDINATION
WITH CONTRACT 62582 WILL BE NECESSARY.



1C0161094R058.5
MOUNTING DETAIL
PROPOSED OVERHEAD SIGN STRUCTURE
STA 3434+50.00 S.B. I-90/94
LOOKING SOUTH

| REVISIONS | |
|-----------|------|
| NAME | DATE |
| | |
| | |
| | |
| | |
| | |
| | |

ILLINOIS DEPARTMENT OF TRANSPORTATION
F.A.I. 90/94 (DAN RYAN EXPRESSWAY)
63rd ST TO 59th ST (FRONTAGE ROAD & RAMPS)
PERMANENT SIGN PANEL MOUNTING DETAILS
PROPOSED OVERHEAD SIGN STRUCTURES
NB STA. 4435+00.00 & SB STA. 3434+50.00
SCALE: NONE
DATE: October 29, 2004
DRAWN BY: SWANG
CHECKED BY: RMG



11/23/2004 05:03:20 PM