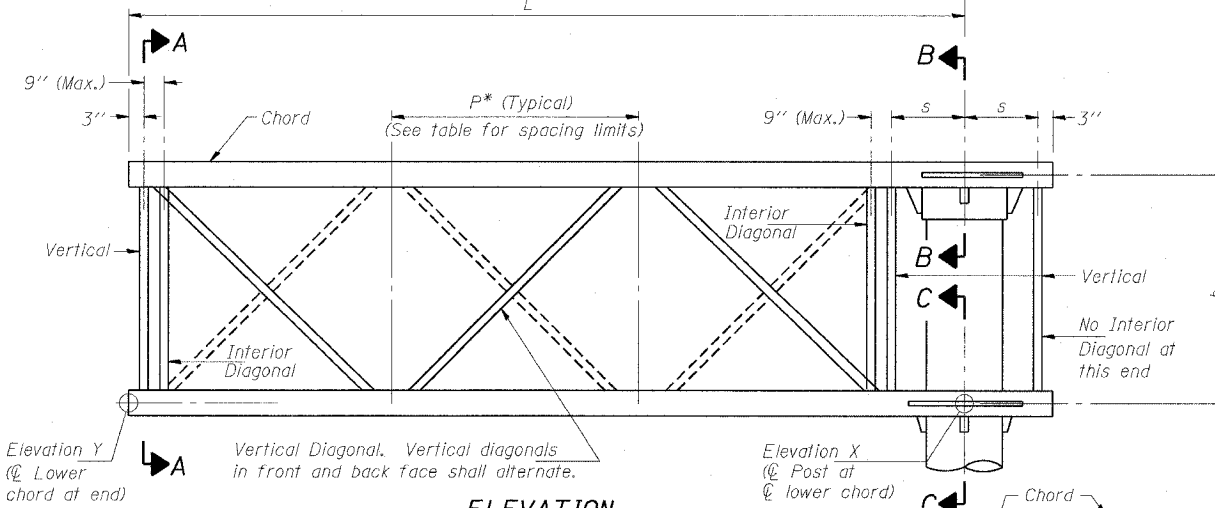
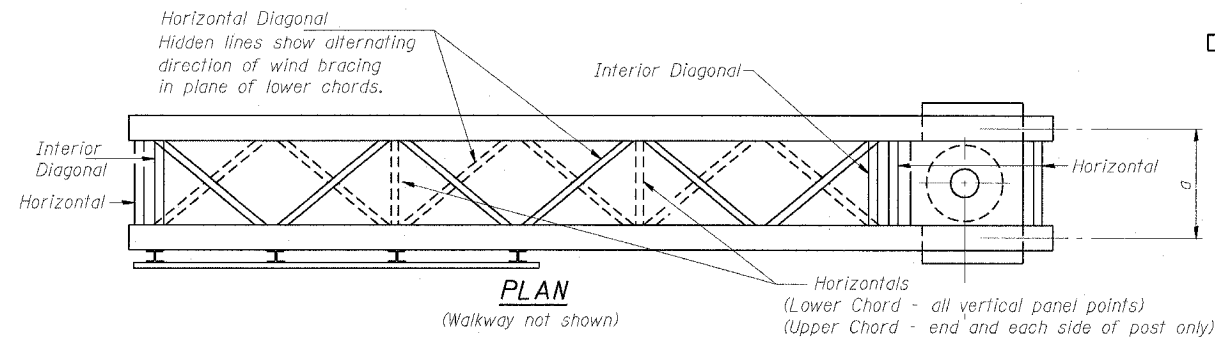


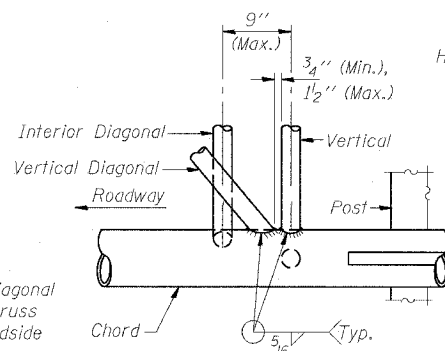
STATE OF ILLINOIS  
DEPARTMENT OF TRANSPORTATION

ROUTE NO.	SECTION	COUNTY	TOTAL SHEETS	SHEET NO.
F.A.I. RTE. 90/94	*	COOK	460	140
FED. ROAD DIST. NO. 1	ILLINOIS	FED. AID PROJECT	2021-922PT.1-AC	
CONTRACT NO. 62693				

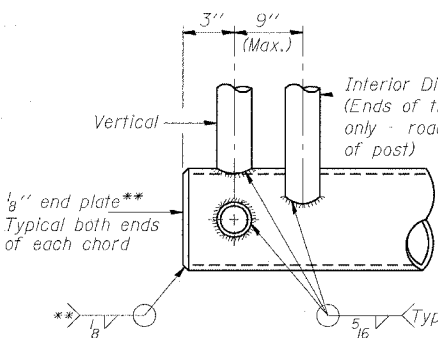


**TYPICAL TRUSS UNIT**  
For Section B-B and Section C-C, see Base Sheet OSC-A-3.

Note: There are twice as many horizontal diagonals as there are vertical diagonals.



**POST END JOINT DETAIL**



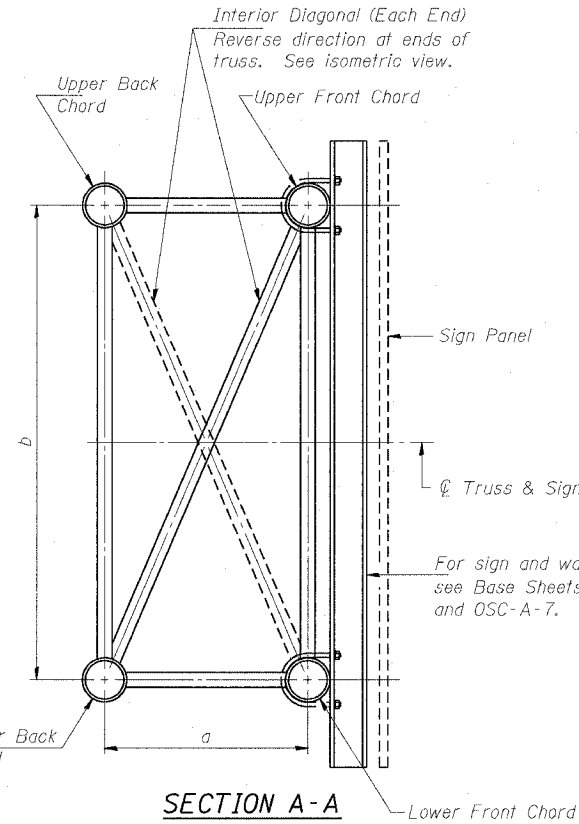
**CANTILEVER END JOINT DETAIL**

\*\*Contractor may alternatively use standard aluminum drive-fit cap to close ends.

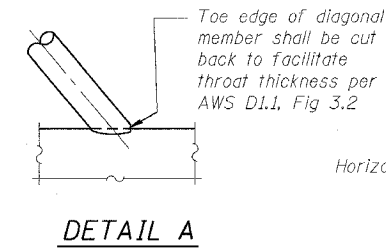
DESIGNED	- SWANG
CHECKED	- RMG
DRAWN	- SWANG
CHECKED	- RMG

EXAMINED	20
PASSED	ENGINEER OF STRUCTURAL SERVICES
	ENGINEER OF BRIDGES AND STRUCTURES

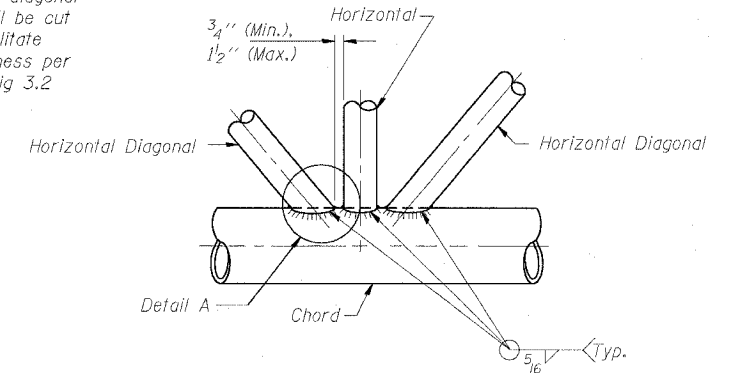
OSC-A-2 11/1/2002



**SECTION A-A**

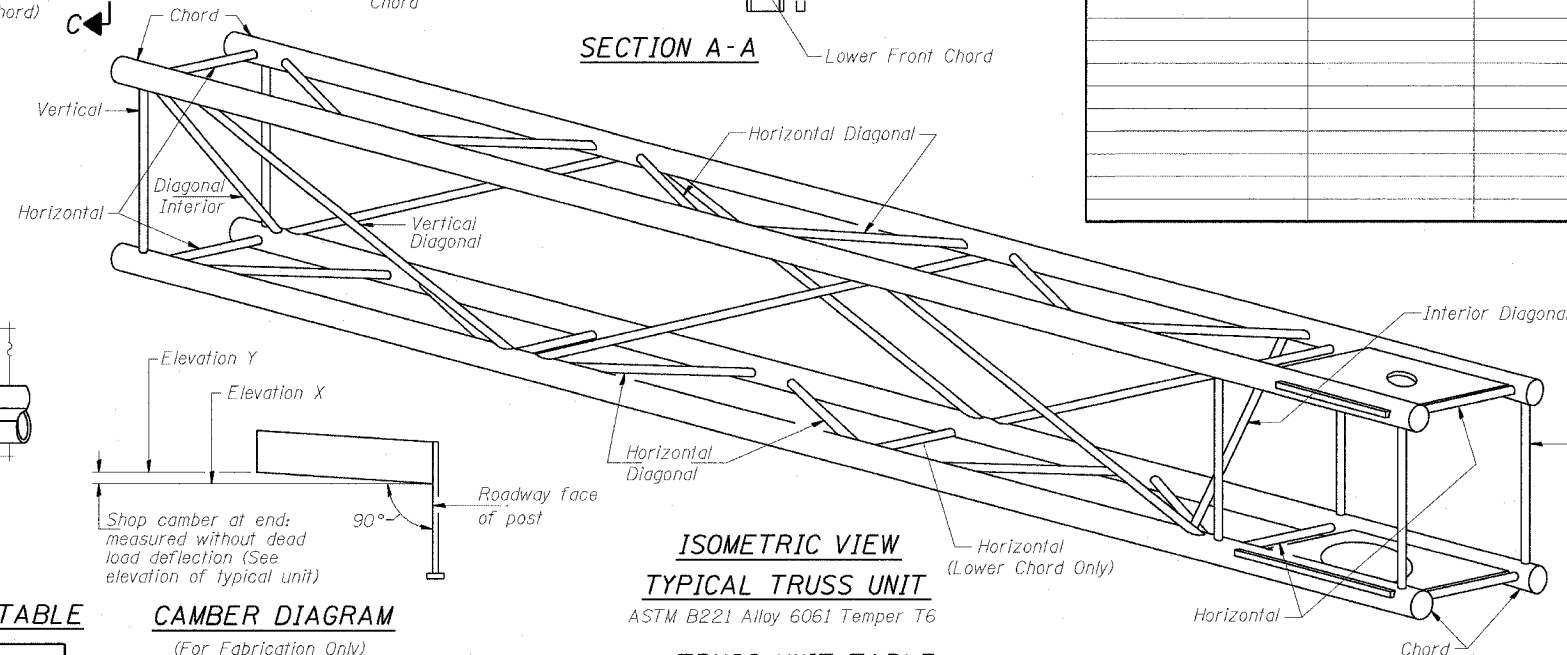


**DETAIL A**



**TRUSS INTERIOR JOINT DETAIL**

Structure Number	Station	Truss Type	Design Length (L)	Number of Panels Per Unit	Panel Length (P)*
IC0161094L058.5	4435+00.00	III-C-A	33.75'	6	5'-3 1/2"
IC0161094R058.5	3434+50.00	III-C-A	33.75'	6	5'-3 1/2"



**ISOMETRIC VIEW  
TYPICAL TRUSS UNIT**

ASTM B221 Alloy 6061 Temper T6

**TRUSS UNIT TABLE**

Truss Type	Dimension "a"	Dimension "b"	Dimension "s"	Limits for Panel Spacing (P)*	Up. & Low. Chord		Verticals; Horizontals; Vertical, Horizontal, and Interior Diagonals	
					O.D.	Wall	O.D.	Wall
I-C-A	24"	54"	16"	36" Min. to 48" Max.	5"	5/16"	2 1/2"	5/16"
II-C-A	36"	66"	21"	42" Min. to 54" Max.	6 1/2"	5/16"	3 1/4"	5/16"
III-C-A (35' Max.)	36"	84"	21"	48" Min. to 66" Max.	7"	3/8"	3 1/2"	3/8"
III-C-A (>35' to 40')	36"	84"	21"	48" Min. to 66" Max.	8"	3/8"	3 1/2"	3/8"

\*P =  $\frac{L-s-3''}{\# \text{ Panels}}$

**CAMBER DIAGRAM**  
(For Fabrication Only)

**SHOP CAMBER TABLE**

Unit Length (L)	Shop Camber at End
15'	1 1/2"
16'-17'	1 3/4"
18'-20'	2"
21'-22'	2 1/4"
23'-25'	2 1/2"
26'-27'	2 3/4"
28'-30'	3"
31'-32'	3 1/4"
33'-35'	3 1/2"
36'-37'	4"
38'-40'	4 1/2"

NUMBER	REVISION	DATE

**CANTILEVER SIGN STRUCTURES  
TRUSS DETAILS  
ALUMINUM TRUSS & STEEL POST**

F.A.I. 94/90 (DAN RYAN EXPRESSWAY)  
63RD ST TO 59TH ST (FRONTAGE RD AND RAMPS)

11/22/2004 11:53:23 AM