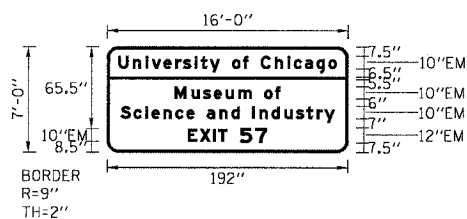


SIGN DETAIL



SIGN NUMBER	57 UC & MSI
WIDTH x HEIGHT	16'-0" x 7'-0"
BORDER WIDTH	2"
CORNER RADIUS	9"
MOUNTING	GROUND
BACKGROUND	TYPE: REFLECTIVE COLOR TOP PANEL: GREEN COLOR BOTTOM PANEL: BROWN
LEGEND/BORDER	TYPE: REFLECTIVE COLOR: WHITE

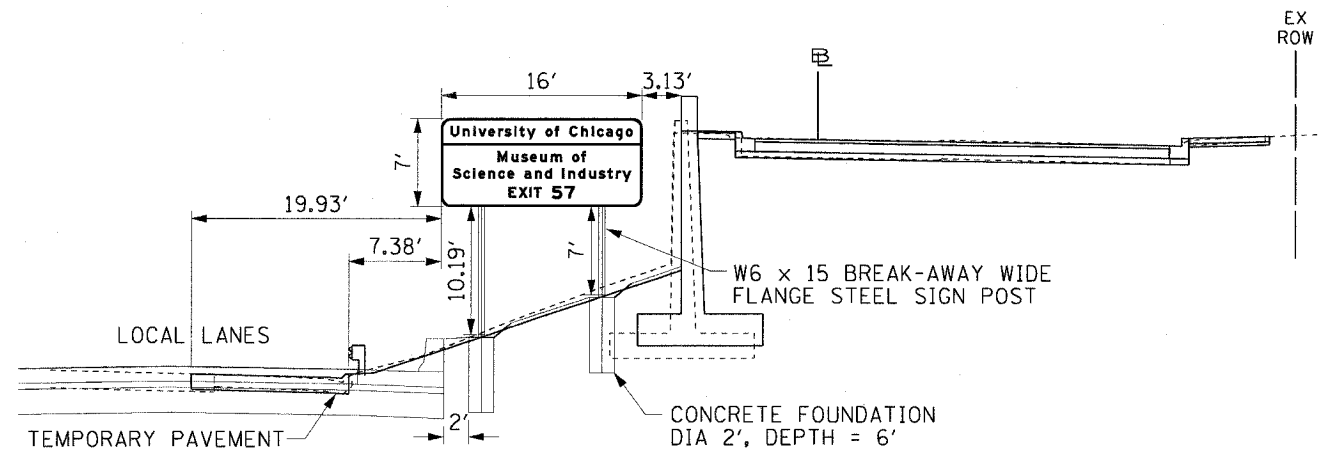
DIMENSIONS ARE IN INCHES.TENTHS

LETTER LOCATIONS ARE PANEL EDGE TO LOWER LEFT CORNER

LETTER POSITIONS (X)												LENGTH SERIES, SIZE																				
U	n	i	v	e	r	s	i	t	y			(CONTINUED ON NEXT LINE)																				
8.9	20.5	30.7	35.4	44.8	54.4	60.5	69.9	74.6	81.7	89.7																						
(CONTINUATION OF PREVIOUS LINE)																																
												o	f	c	h	i	c	a	g	o	174.1	EM10/7.5										
												99.7	108.4	112.5	122.4	133.7	143.9	148.9	157.6	167	176.5											
M	u	s	e	u	m																		84.1	EM10/7.5								
53.9	67.2	76.4	85	94.5	104.7	115.3	125.4	134																								
(CONTINUATION OF PREVIOUS LINE)																																
												S	c	i	e	n	c	e		a	n	d	(CONTINUED ON NEXT LINE)									
												10.7	21.1	30.5	35.5	45	54.5	63.2	69.6	79.6	89.8	99.3	105.6									
(CONTINUATION OF PREVIOUS LINE)																																
																							I	n	d	u	s	t	r	y	170.5	EM10/7.5
												115.6	121.7	131.2	141.4	150.6	158.9	167.1	173.2													
E	X	I	T	5	7																		63.1	EM10,EM12								
64.4	73.9	84.5	88.6	105.9	118																											

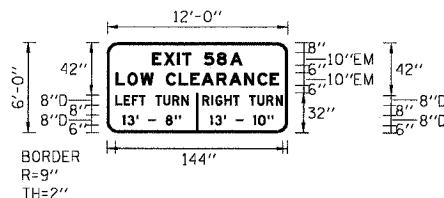
F.A.I. RTE.	SECTION	COUNTY	TOTAL SHEETS	SHEET NO.
90/94	2021-922PT.1-AC	COOK	460	149
STA.	TO STA.			
FED. ROAD DIST. NO. 1	ILLINOIS	FED. AID PROJECT		

62693



MOUNTING DETAIL  
PROPOSED GROUND MOUNTED SIGN PANEL  
WENTWORTH AVE. STA. 129+00.00 / N.B. I-90/94 STA. 4447+12.00  
LOOKING NORTH

SIGN DETAIL

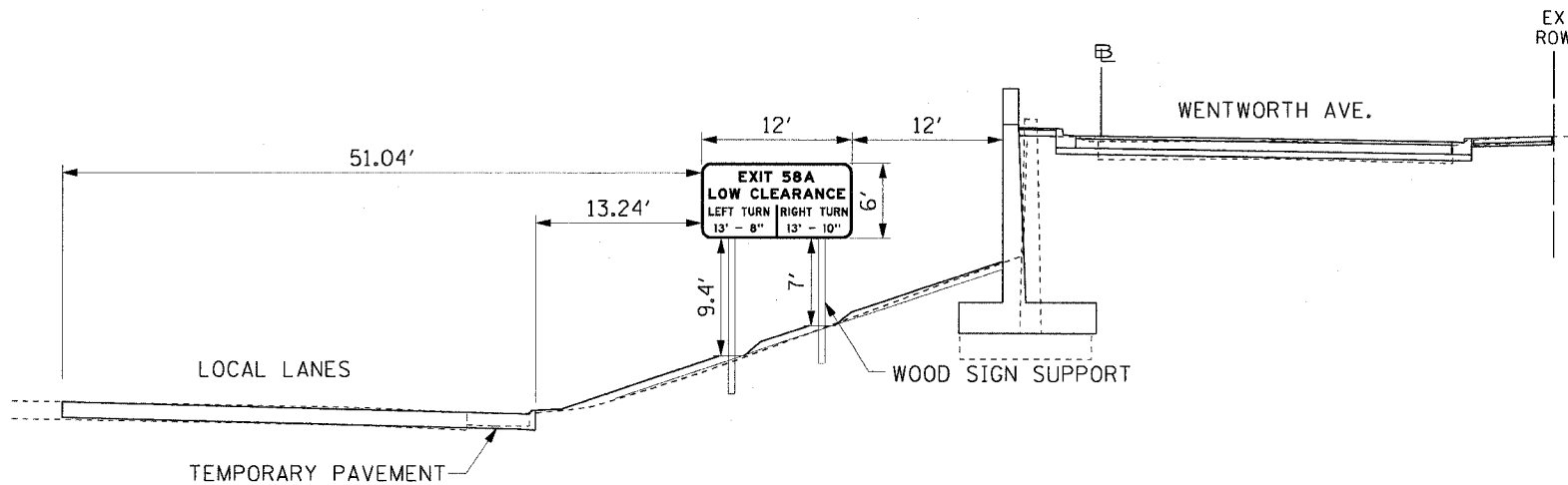


SIGN NUMBER	58A CLEARANCE
WIDTH x HEIGHT	12'-0" x 6'-0"
BORDER WIDTH	2"
CORNER RADIUS	9"
MOUNTING	GROUND
BACKGROUND	TYPE: REFLECTIVE COLOR: YELLOW
LEGEND/BORDER	TYPE: NON-REFLECTIVE COLOR: BLACK

DIMENSIONS ARE IN INCHES.TENTHS

LETTER LOCATIONS ARE PANEL EDGE TO LOWER LEFT CORNER

LETTER POSITIONS (X)												LENGTH SERIES, SIZE																									
E	X	I	T		S	B	A																														
35.9	45.4	56.1	60.1	67.4	77.4	87.5	98.1					72.1	EM10																								
(CONTINUATION OF PREVIOUS LINE)																																					
												L	O	W		C	L	E	A	R	A	N	C	E	130.5	EM10											
												6.8	16.2	26.5	37	47	57	66.4	75.1	87.2	97.3	109.3	119.9	129.9													
(CONTINUATION OF PREVIOUS LINE)																																					
																								L	E	F	T		T	U	R	N				57.9	D8
												7.1	13.4	19.8	25.7	30.6	38.6	45	52.3	59.5																	
(CONTINUATION OF PREVIOUS LINE)																																					
																								R	I	G	H	T		T	U	R	N			63.9	D8
												76.1	83.4	86.5	93.8	100.7	105.6	113.6	120	127.3	134.5																
(CONTINUATION OF PREVIOUS LINE)																																					
																								1	3					8						46.3	D8
												12.4	16.3	23.6	24.9	32.9	38.9	46.9	54.2	57.4																	
(CONTINUATION OF PREVIOUS LINE)																																					
																								1	3					1	0					50.3	D8
												82.4	86.2	93.5	94.8	102.8	108.8	116.8	120.7	128.2	131.4																



MOUNTING DETAIL  
PROPOSED GROUND MOUNTED SIGN PANEL  
WENTWORTH AVE. STA. 119+00.00 / N.B. I-90/94 STA. 4437+11.47  
LOOKING NORTH

REVISIONS	
NAME	DATE

ILLINOIS DEPARTMENT OF TRANSPORTATION  
F.A.I. 90/94 (DAN RYAN EXPRESSWAY)  
63rd ST TO 59th ST (FRONTAGE ROAD & RAMPS)

PERMANENT SIGN PANEL MOUNTING DETAILS  
PROPOSED GROUND MOUNTED SIGN PANELS

SCALE: NONE  
DATE: October 29, 2004  
DRAWN BY: SWANG  
CHECKED BY: RMG



11/23/2004 02:37:00 PM