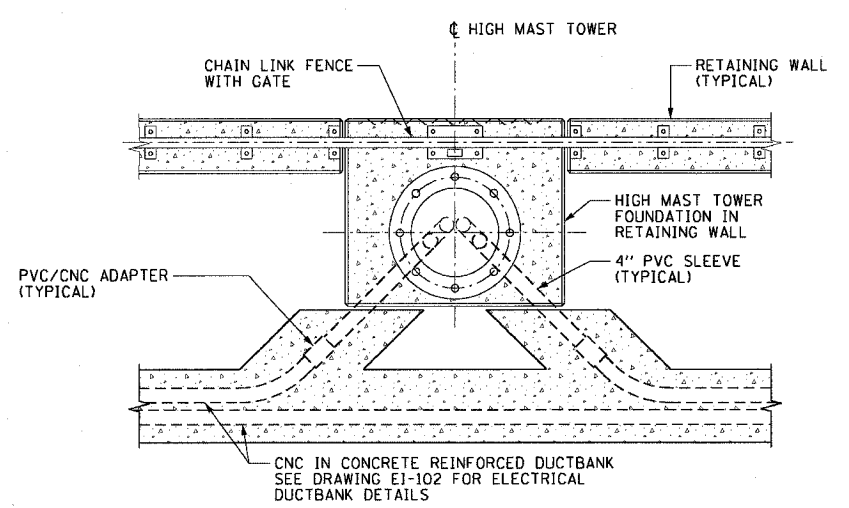
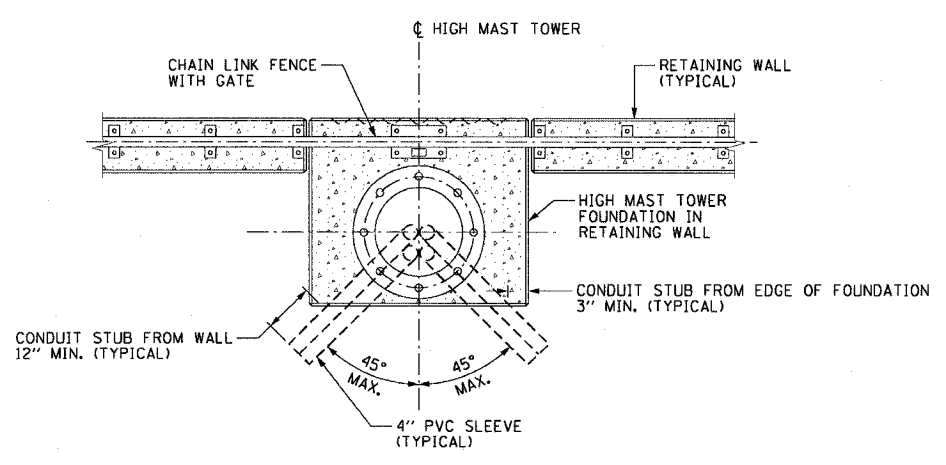
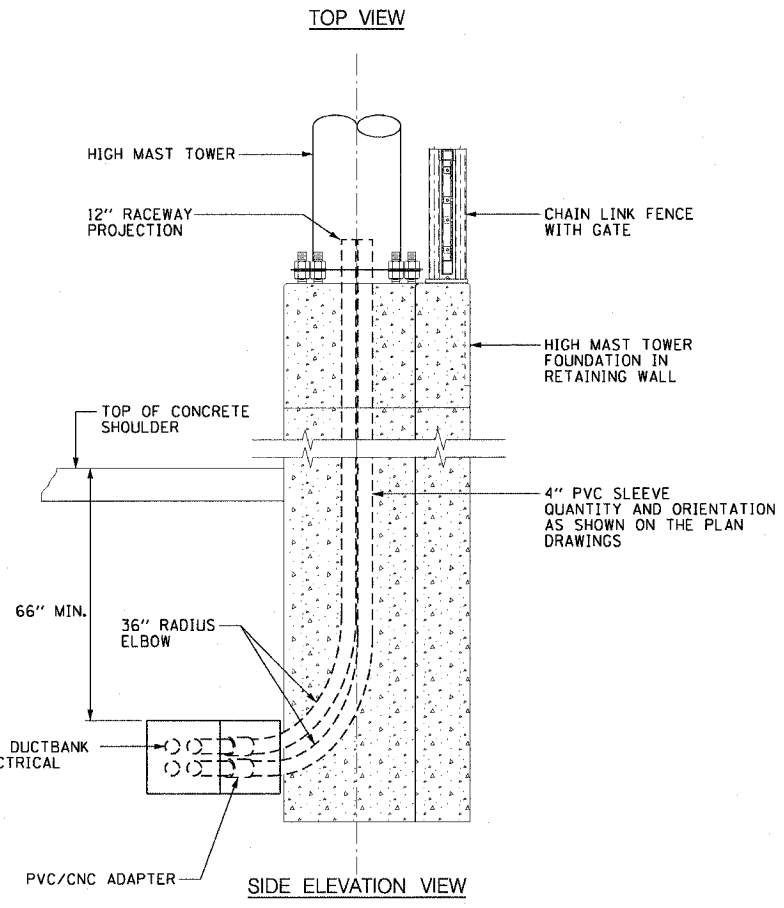
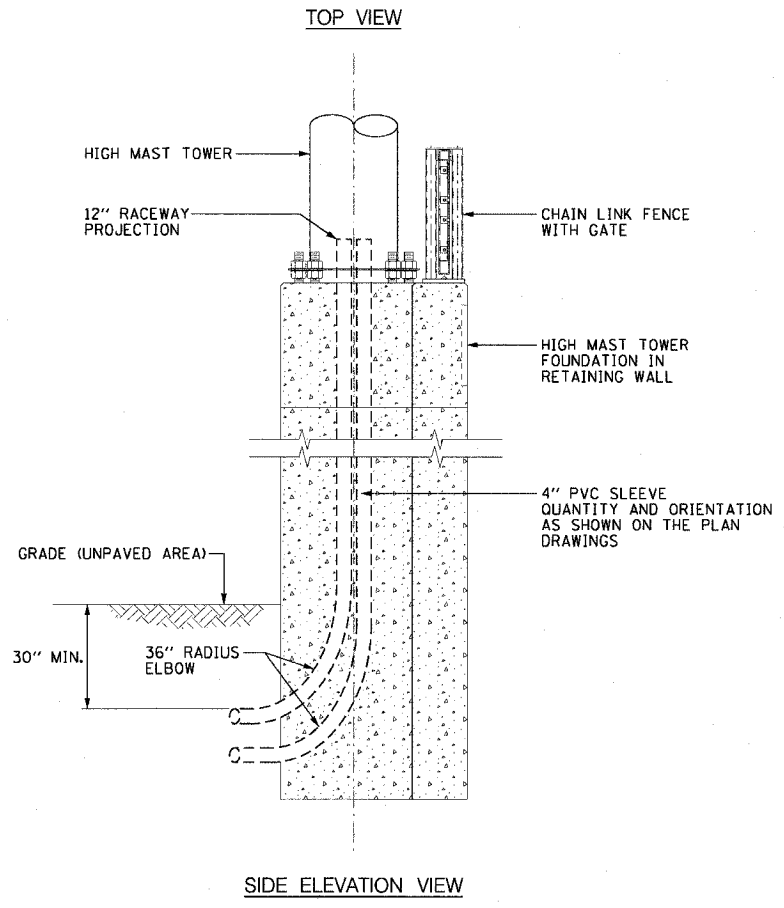


F.A.I. RTE.	SECTION	COUNTY	TOTAL SHEETS	SHEET NO.
90/94	2021-922PT.1-AC	COOK	460	185
STA.	TO STA.			
FED. ROAD DIST. NO. 1	ILLINOIS	FED. AID PROJECT	62693	



- NOTES:**
1. SEE DRAWINGS EI-100 AND EI-101 FOR ELECTRICAL SYMBOLS AND ABBREVIATIONS.
  2. SEE HIGH MAST TOWER FOUNDATION SCHEDULES FOR HIGH MAST LIGHT TOWER FOUNDATION LOCATIONS.



TYPICAL CONDUIT INSTALLATION DETAIL FOR INSTALLING CONDUIT SLEEVES IN FOUNDATION IN RETAINING WALL  
NOT TO SCALE

TYPICAL CONDUIT INSTALLATION DETAIL FOR INSTALLING CONCRETE DUCTBANK TO FOUNDATION IN RETAINING WALL  
NOT TO SCALE



REVISIONS	
NAME	DATE

ILLINOIS DEPARTMENT OF TRANSPORTATION  
F.A.I. 90/94 (DAN RYAN EXPRESSWAY)  
63rd ST TO 59th ST (FRONTAGE ROAD & RAMPS)

CONDUIT INSTALLATION DETAILS FOR LIGHT TOWER FOUNDATIONS MOUNTED ON RETAINING WALLS

SCALE: NOT TO SCALE      DRAWN BY: CJM  
DATE: October 29, 2004      CHECKED BY: WDS

EI-104

m:\p4-465\elect\4-cnf\5\cnc\contract 90\92\cnc\ctc.dwg 10/21/2004 02:25:56 PM