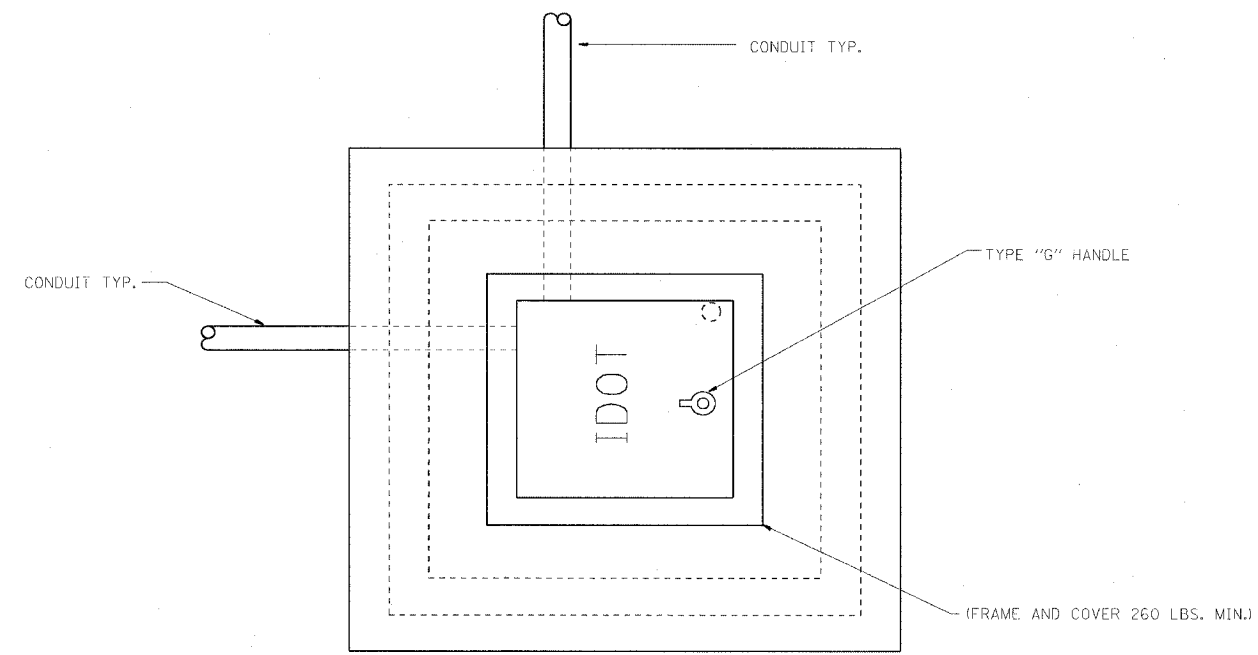
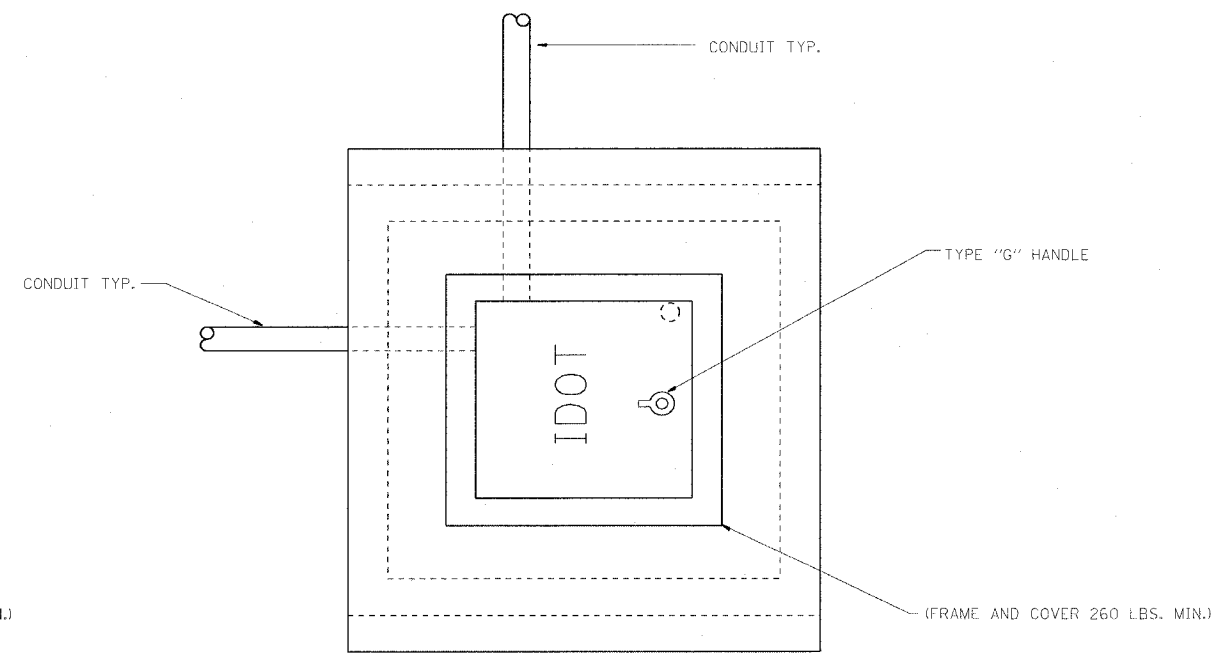


F.A.I. R/E:	SECTION	COUNTY	TOTAL SHEETS	SHEET NO.
90/94	2021-922PT.1-AC	COOK	460	190
STA.	TO STA.			
FED. ROAD DIST. NO. 1	ILLINOIS	FED. AID PROJECT		

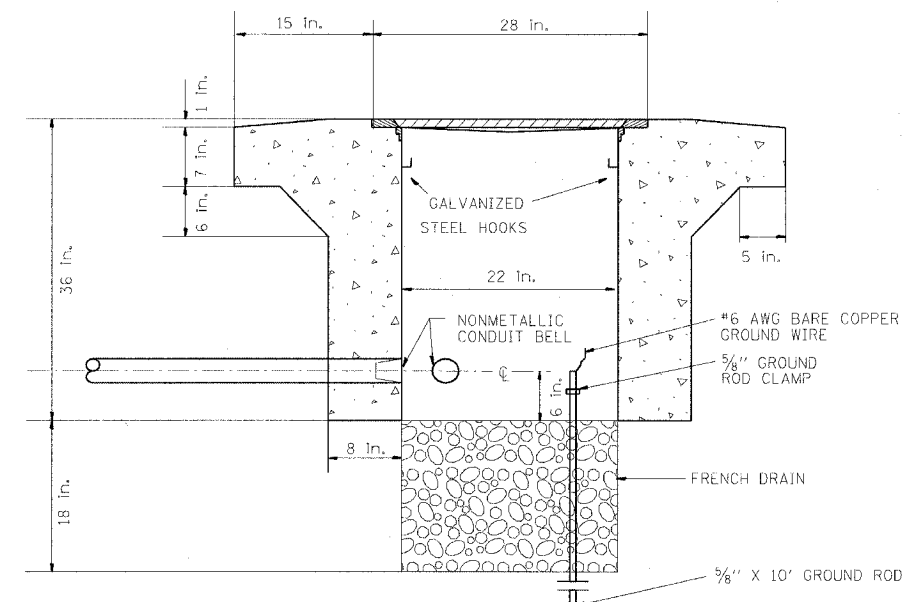
62693



PLAN

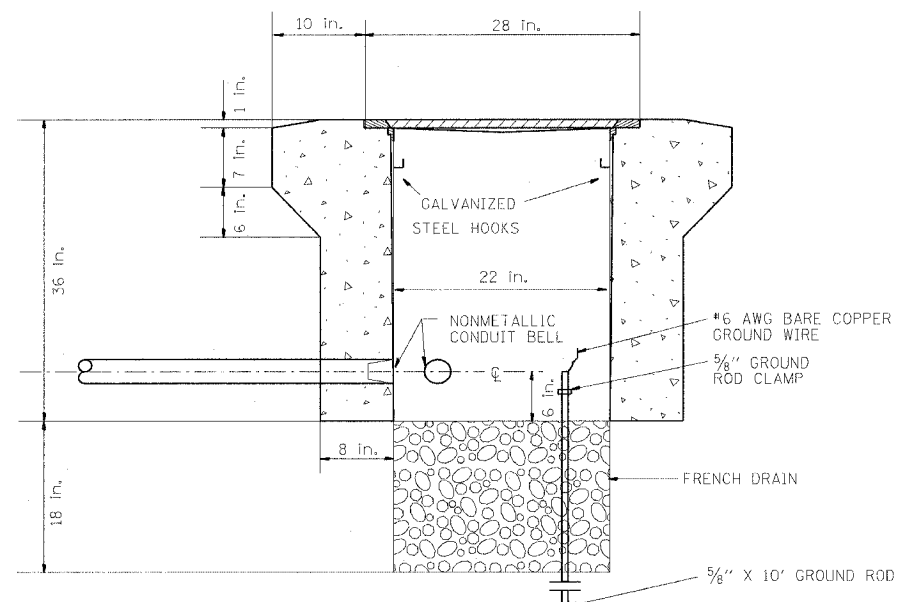


PLAN



ELEVATION

PC CONCRETE - HEAVY DUTY HANDHOLE



ELEVATION

PC CONCRETE - HEAVY DUTY HANDHOLE (SPECIAL)

NOTE:  
ALL METALLIC ELEMENTS SHALL BE GROUND IN ACCORDANCE WITH THE NATIONAL ELECTRIC CODE (NEC), SECTION 250, GROUNDING, METAL COVERS AND OTHER EXPOSED CONDUCTIVE SURFACES SHALL BE BONDED IN ACCORDANCE WITH NEC ARTICLE 250.96 (A).

EI-106

**Edwards and Kelcey**  
ONE NORTH FRANKLIN  
CHICAGO, IL 60606  
PHONE: (312) 251-3000  
FAX: (312) 251-3015  
WEB: WWW.EKCORP.COM

REVISIONS	
NAME	DATE

ILLINOIS DEPARTMENT OF TRANSPORTATION  
F.A.I. 90/94 (DAN RYAN EXPRESSWAY)  
63rd ST TO 59th ST (FRONTAGE ROAD & RAMP)  
PC CONCRETE - HEAVY DUTY HANDHOLE  
DETAIL (TYPE S1)

SCALE: NTS  
DATE: October 29, 2004

DRAWN BY: CJH  
CHECKED BY: MJL

10/21/2004 02:25:59 PM