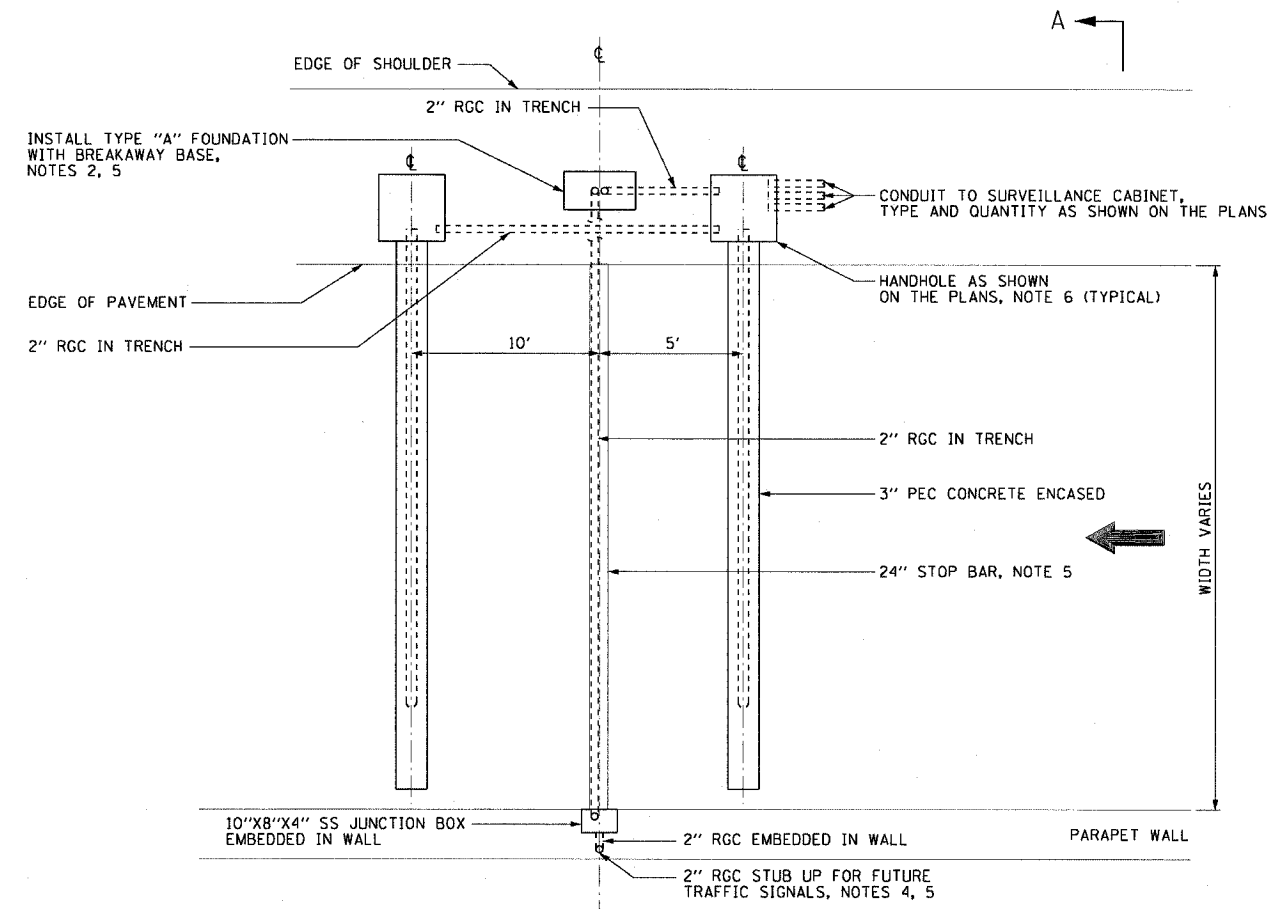
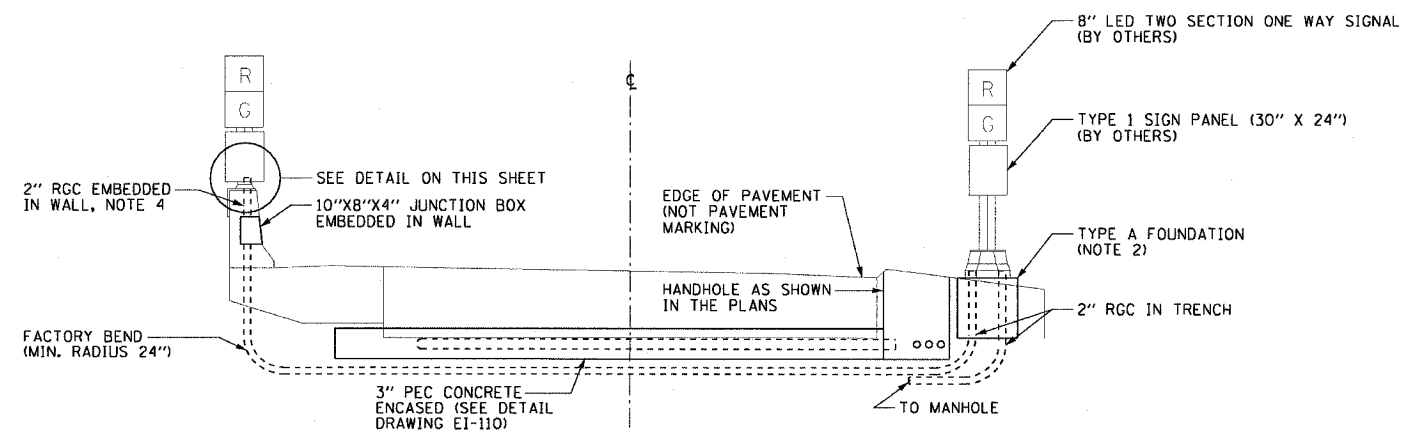


F.A.I. R.T.E.	SECTION	COUNTY	TOTAL SHEETS	SHEET NO.
90/94	2021-922PT.1-AC	COOK	460	196
STA.	TO STA.			
FED. ROAD DIST. NO. 1		ILLINOIS	FED. AID PROJECT	

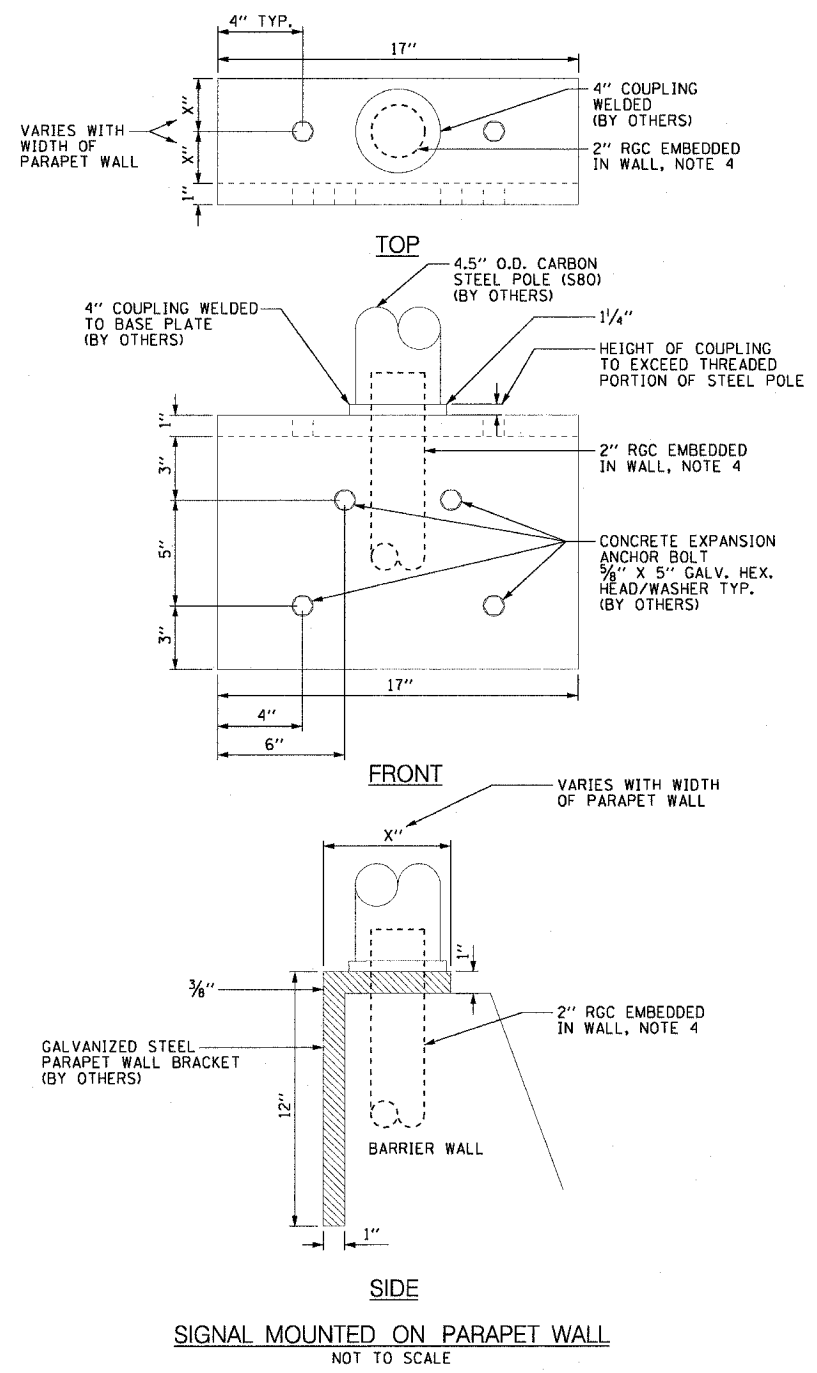
62693



TYPICAL SIGNAL AND LOOP LAYOUT (TYPE I)
NOT TO SCALE



SECTION A-A
NOT TO SCALE



NOTES:

- SEE DRAWINGS EI-100 AND EI-101 FOR ELECTRICAL SYMBOLS AND ABBREVIATIONS.
- CONTRACTOR MUST COORDINATE PLACEMENT AND SIZE OF ANCHOR BOLTS WITH IDOT CONTRACT NUMBER 62583.
- CONDUIT, JUNCTION BOXES, AND HANDHOLES MUST BE FURNISHED AND INSTALLED UNDER THIS CONTRACT. ALL CABLES, PROBES, SIGNALS, SIGNS, AND OTHER EQUIPMENT WILL BE FURNISHED AND INSTALLED BY OTHERS UNDER CONTRACT NUMBER 62583.
- CONDUIT MUST BE STUBBED OUT OF CONCRETE A MINIMUM OF 3".
- CENTERLINE OF TYPE A FOUNDATION, STOP BAR, AND CONDUIT STUB UP IN PARAPET WALL FOR FUTURE TRAFFIC SIGNALS SHALL BE LOCATED AT THE STATION SHOWN ON THE PLANS.
- REFER TO THE PLAN DRAWINGS FOR QUANTITY, TYPE, AND SIZE OF CONDUITS TO HANDHOLES.

REVISIONS	
NAME	DATE

10/29/2004 02:26:01 PM