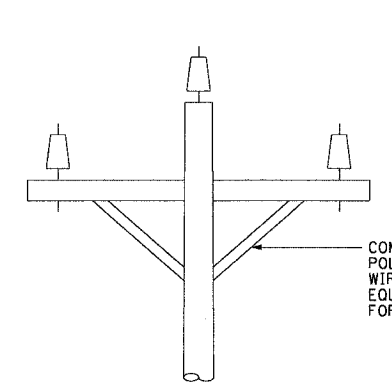


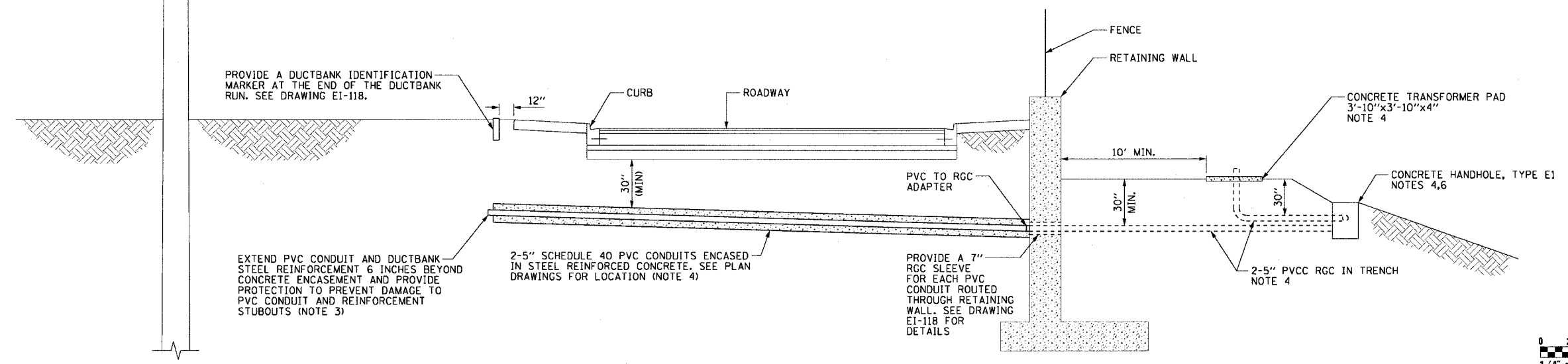
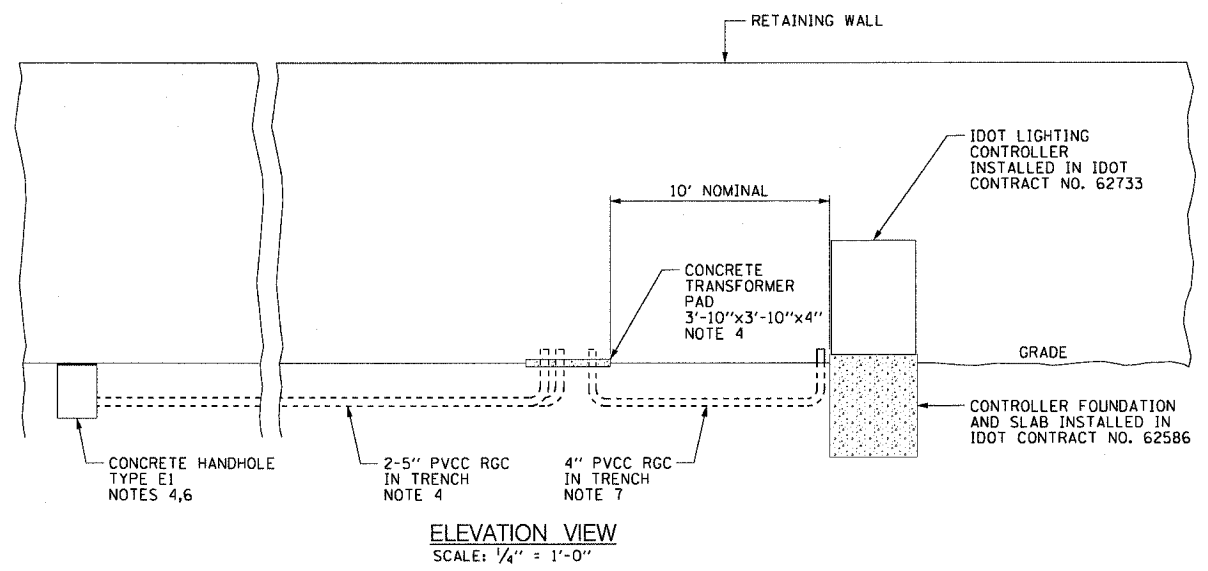
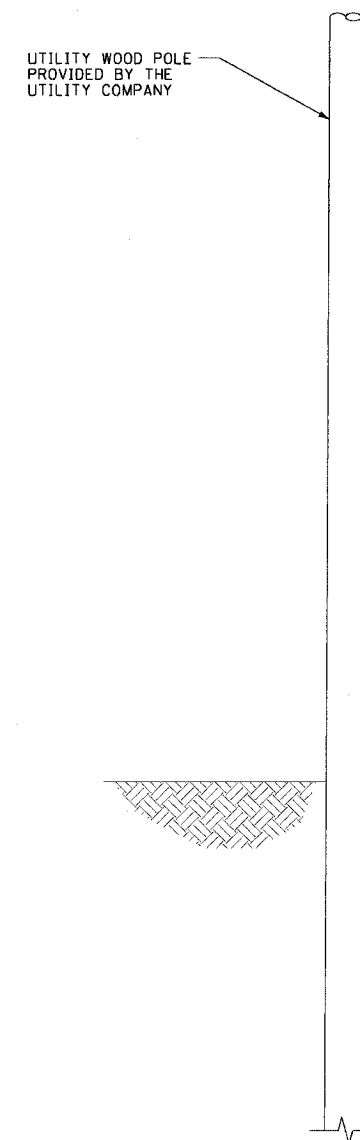
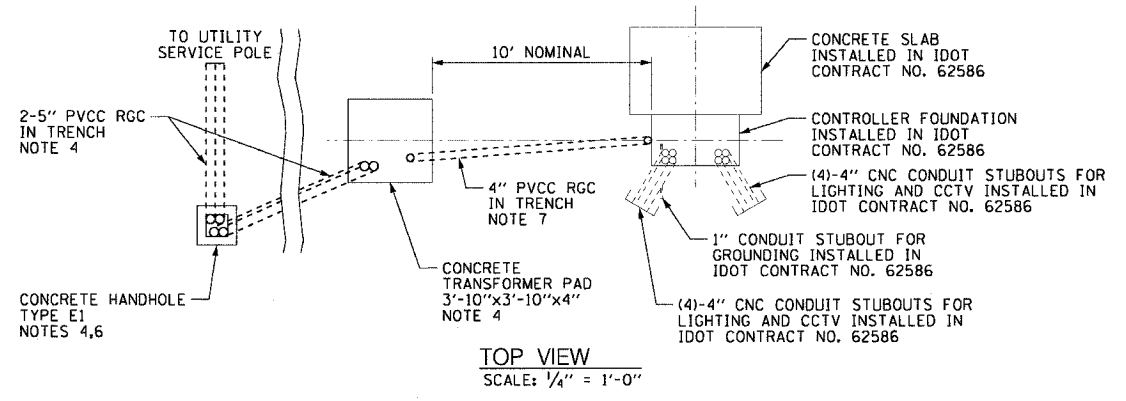
F.A.I. RTE.	SECTION	COUNTY	TOTAL SHEETS	SHEET NO.
90/942021-922PT.1-A	COOK	ILLINOIS	460	199
STA.	TO STA.			
FED. ROAD DIST. NO. 1	ILLINOIS FED. AID PROJECT			

62693

- NOTES:**
- SEE DRAWINGS EI-100 AND EI-101 FOR ELECTRICAL SYMBOLS AND ABBREVIATIONS.
 - SEE ROADWAY PLAN DRAWINGS FOR CONSTRUCTION LIMITS.
 - ALL WORK ASSOCIATED WITH THE INSTALLATION OF THE LIGHTING CONTROLLER UTILITY SERVICE FEED MUST BE COORDINATED WITH AND APPROVED BY COMED.
 - ALL MATERIALS AND LABOR FOR THE INSTALLATION OF THE CONCRETE ENCASED DUCTBANK, UNDERGROUND CONDUIT, HANDHOLE, AND CONCRETE TRANSFORMER PAD MUST MEET WITH ALL COMED REQUIREMENTS AND STANDARDS.
 - THE DEPTH OF THE DUCTBANK MAY VARY TO MEET THE PROPOSED GRADE ON THE DAN RYAN SIDE OF THE PROPOSED RETAINING WALL. THE CONTRACTOR MUST COORDINATE THE INSTALLATION OF THE ELECTRICAL EQUIPMENT WITH THE FINAL GRADING PLANS IN THIS AREA FOR CONTRACT 62303.
 - THE HANDHOLE MUST BE INSTALLED FURTHER DOWN THE SLOPE AT A LOWER ELEVATION THAN THE TRANSFORMER PAD TO ALLOW THE CONDUITS TO DRAIN TOWARDS THE HANDHOLE AND AWAY FROM THE TRANSFORMER. THE HANDHOLE COVER MUST HAVE "COMED" STAMPED ON IT.
 - CONDUIT CONNECTED TO UTILITY METER BY OTHERS. CONDUIT MUST BE STUBBED UP 6 INCHES ABOVE FINAL GRADE AND CAPPED NEXT TO FOUNDATION.



COMED WILL FURNISH AND INSTALL SERVICE POLE, GROUNDING EQUIPMENT, INSULATORS, WIRES, MAST ARM, HARDWARE, AND ANY OTHER EQUIPMENT AND LABOR DEEMED NECESSARY FOR UTILITY SERVICE INSTALLATION



REVISIONS	
NAME	DATE

ILLINOIS DEPARTMENT OF TRANSPORTATION
F.A.I. 90/94 (DAN RYAN EXPRESSWAY)
63rd ST TO 59th ST (FRONTAGE ROAD & RAMPS)

CONDUIT INSTALLATION DETAILS FOR LIGHTING CONTROLLER ELECTRIC SERVICE THROUGH RETAINING WALL

SCALE: 1/4" = 1'-0" DRAWN BY: CJM
DATE: October 29, 2004 CHECKED BY: WDS

10/29/2004 02:26:01 PM