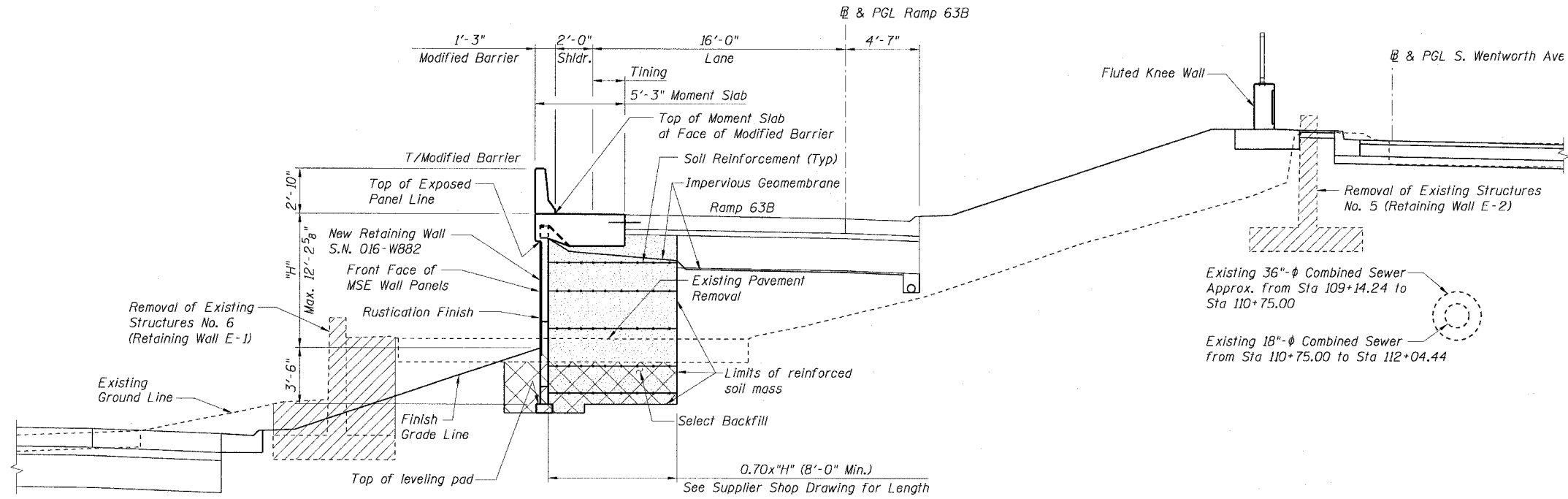


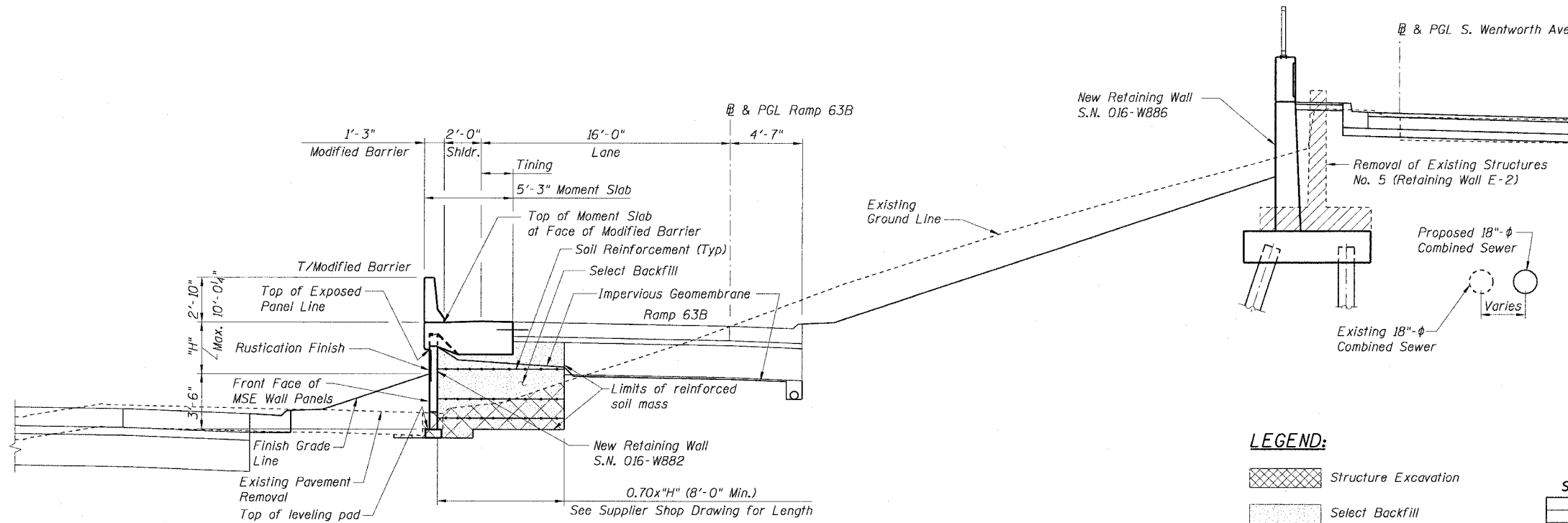
STATE OF ILLINOIS  
DEPARTMENT OF TRANSPORTATION

F.A.I. RTE.	SECTION	COUNTY	TOTAL SHEETS	SHEET NO.
90/94	2021-922PT.1-AC	COOK	460	218
STA.	TO STA.			
FED. ROAD DIST. NO. 1 ILLINOIS FED. AID PROJECT				

62693



**TYPICAL SECTION**  
**STA 109+14.24 TO 112+04.44**  
(Looking North)



**TYPICAL SECTION**  
**STA 112+04.44 TO 114+71.57**  
(Looking North)

**LEGEND:**

- Structure Excavation
- Select Backfill
- Removal of Existing Structures

Sheet X5 of 14

REVISIONS	
NAME	DATE

ILLINOIS DEPARTMENT OF TRANSPORTATION  
F.A.I. 90/94 (DAN RYAN EXPRESSWAY)  
**TYPICAL SECTIONS**  
SOUTH WENTWORTH AVENUE RETAINING WALL  
WEST 63RD STREET TO WEST 59TH STREET  
SECTION 2021-922 PT.1-AC  
STATION 108+14.88 TO 114+71.57  
COOK COUNTY S.N. 016-W882  
SCALE: None DRAWN BY: ET  
DATE: October 29, 2004 CHECKED BY: MJP

M:\P\40465\Struct\14-Crit\90\312\90052A\W882.DWG 11/23/2004 08:02:46 AM