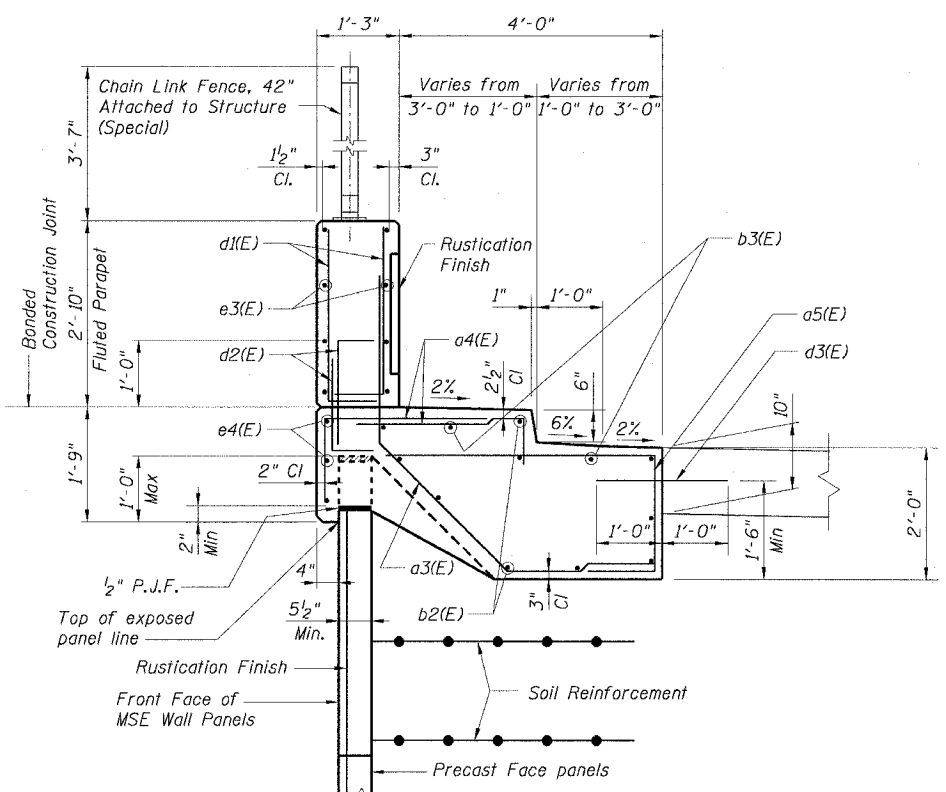


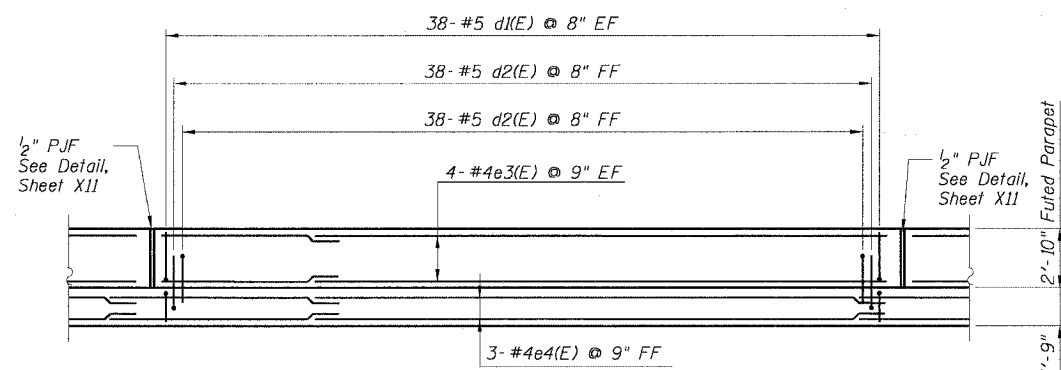
STATE OF ILLINOIS
DEPARTMENT OF TRANSPORTATION

F.A.I. RTE.	SECTION	COUNTY	TOTAL SHEETS	SHEET NO.
90/94	2021-922PT.1-AC	COOK	460	220
STA.	TO STA.			
FED. ROAD DIST. NO. 1	ILLINOIS	FED. AID PROJECT		

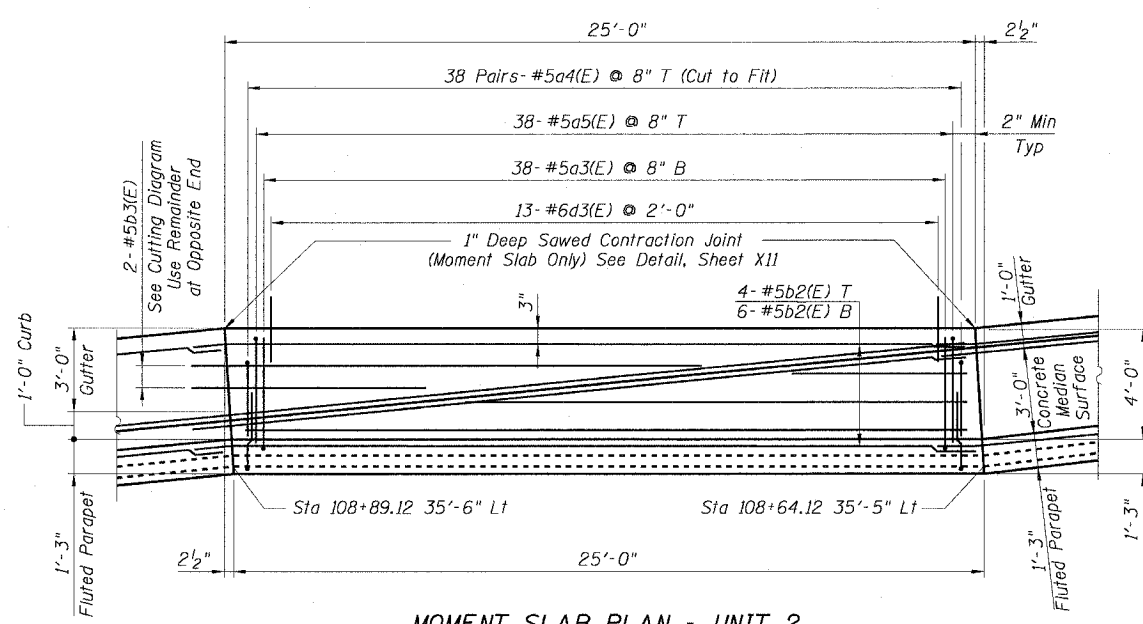
62693



TYPICAL CROSS SECTION
STA. 108+64.12 TO STA. 108+89.12
(Looking North)



MOMENT SLAB AND FLUTED PARAPET ELEVATION - UNIT 2
(Looking East)



MOMENT SLAB PLAN - UNIT 2
For Layout of b2(E) and b3(E)
Bars, see Typical Cross Sections



Sheet X7 of 14

REVISIONS	
NAME	DATE

ILLINOIS DEPARTMENT OF TRANSPORTATION
F.A.I. 90/94 (DAN RYAN EXPRESSWAY)
MOMENT SLAB DETAILS - UNIT 2
SOUTH WENTWORTH AVENUE RETAINING WALL
WEST 63RD STREET TO WEST 59TH STREET
SECTION 2021-922 PT.1-AC
STATION 108+14.88 TO 114+71.57
COOK COUNTY S.N. 016-W882

SCALE: None
DATE: October 29, 2004

DRAWN BY: CHD
CHECKED BY: MJP

10/27/2004 04:59:26 PM