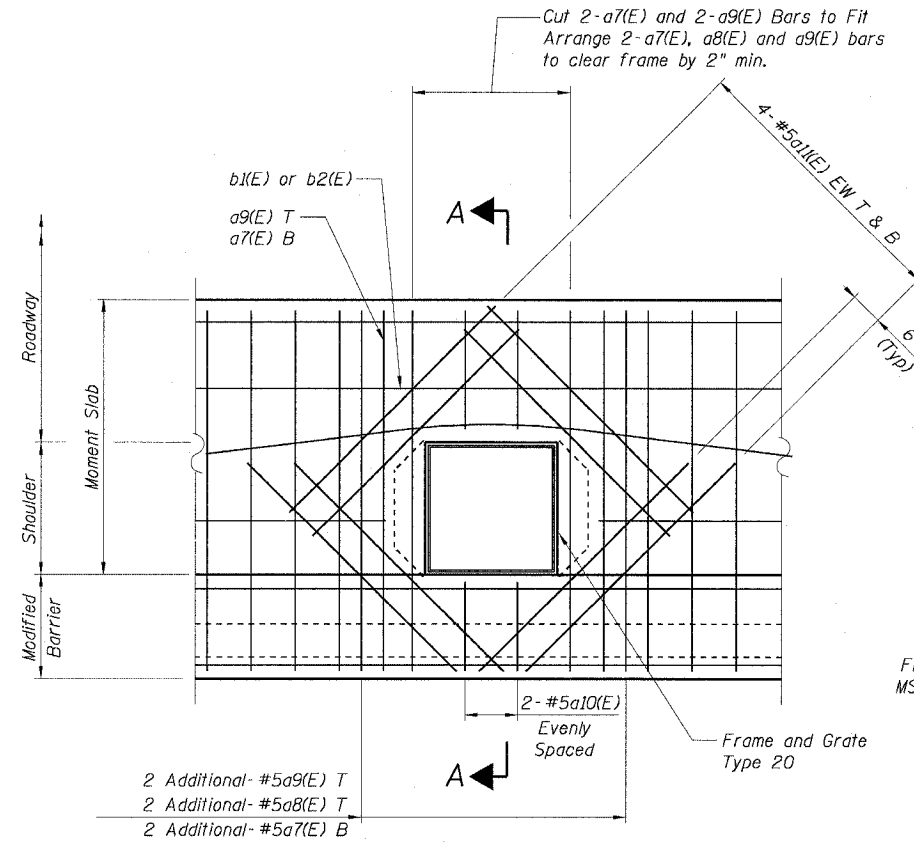


STATE OF ILLINOIS
DEPARTMENT OF TRANSPORTATION

F.A.I. RTE.	SECTION	COUNTY	TOTAL SHEETS	SHEET NO.
90/94	2021-922PT.1-AC	COOK	460	223
STA.	TO STA.			
FED. ROAD DIST. NO. 1	ILLINOIS	FED. AID PROJECT		

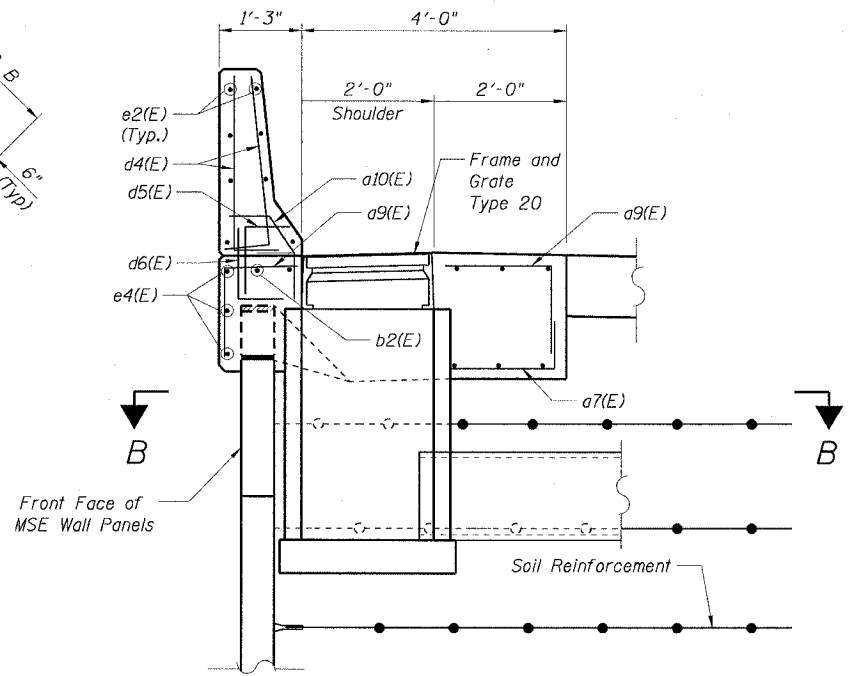
62693



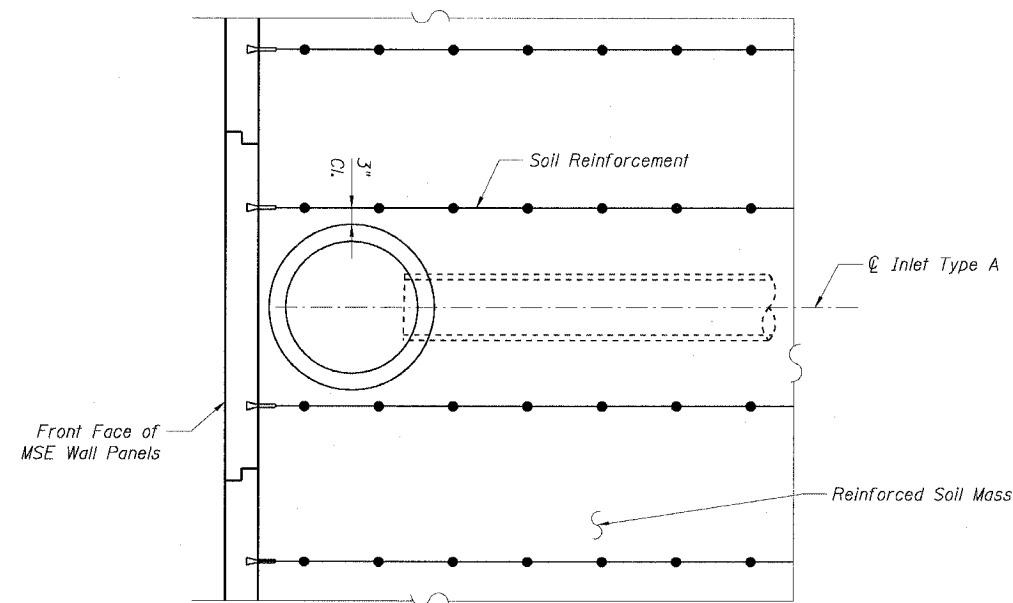
DETAIL AT MOMENT SLAB AND MODIFIED BARRIER AT INLET

NOTES:

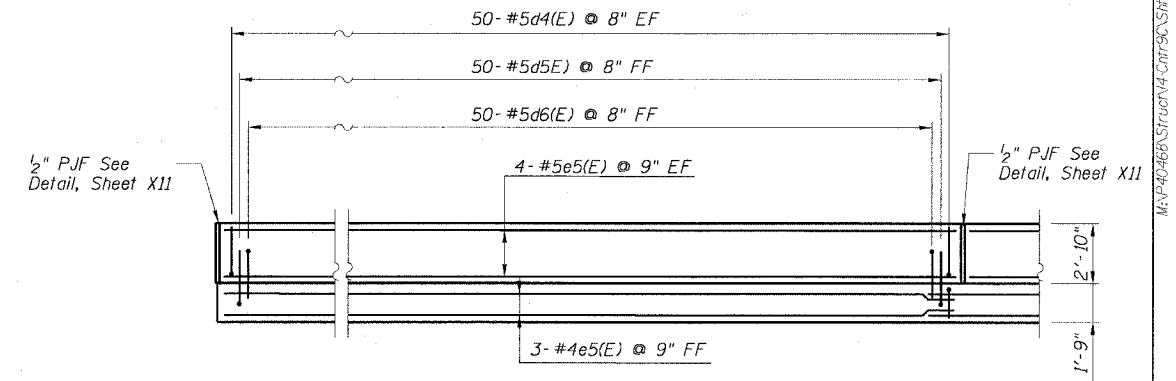
1. Provide minimum 2" clearance between reinforcing bars and Frame and Grate Type 20 for the inlet.
2. Avoid inlet, when laying out reinforcement for the MSE Wall Panels as shown in Section B-B.



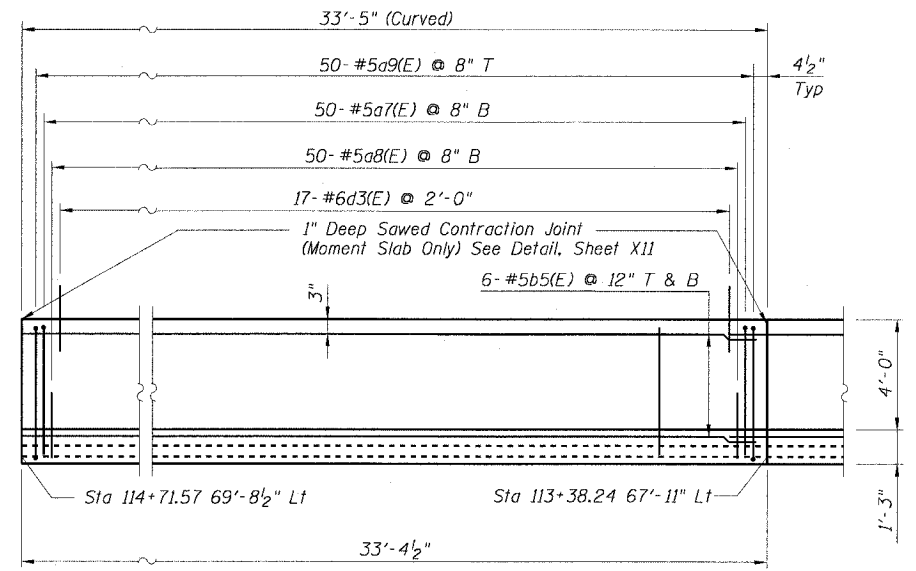
SECTION A-A



SECTION B-B



MOMENT SLAB ELEVATION - UNIT 11
(Looking East)



MOMENT SLAB PLAN - UNIT 11
For Typical Section thru Unit 11
see Sheet X9



Sheet X10 of 14

REVISIONS	
NAME	DATE

ILLINOIS DEPARTMENT OF TRANSPORTATION
F.A.I. 90/94 (DAN RYAN EXPRESSWAY)
MOMENT SLAB DETAILS - UNITS 7, 10 AND 11
SOUTH WENTWORTH AVENUE RETAINING WALL
WEST 55TH STREET TO WEST 51ST STREET
SECTION (2021-922 PT.1, 2 & 2122-921 PT.1) R-4
STATION 108+14.88 TO 114+71.57
COOK COUNTY SN. 016-W882
SCALE: None DRAWN BY: GC/CHD
DATE: October 29, 2004 CHECKED BY: MJP

M:\P\0466\Struct\4-Crit\90-94\W882-RT 090102A-W882-37 11/24/2004 09:42:34 AM