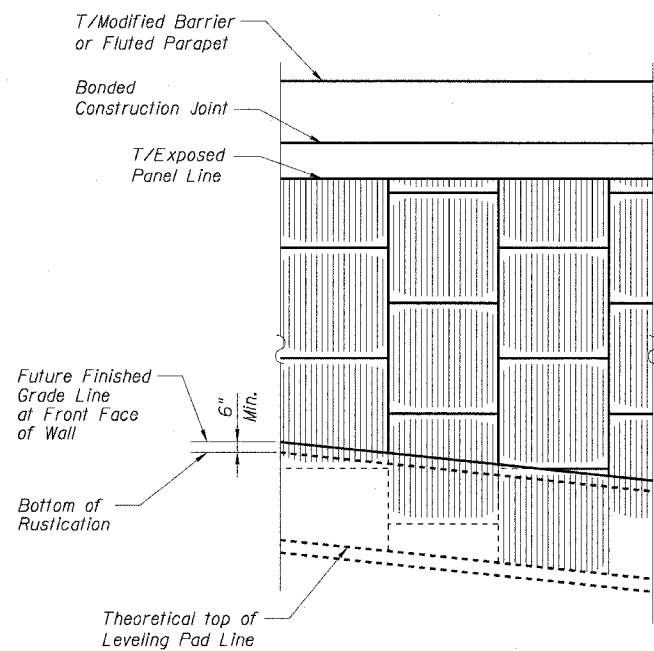


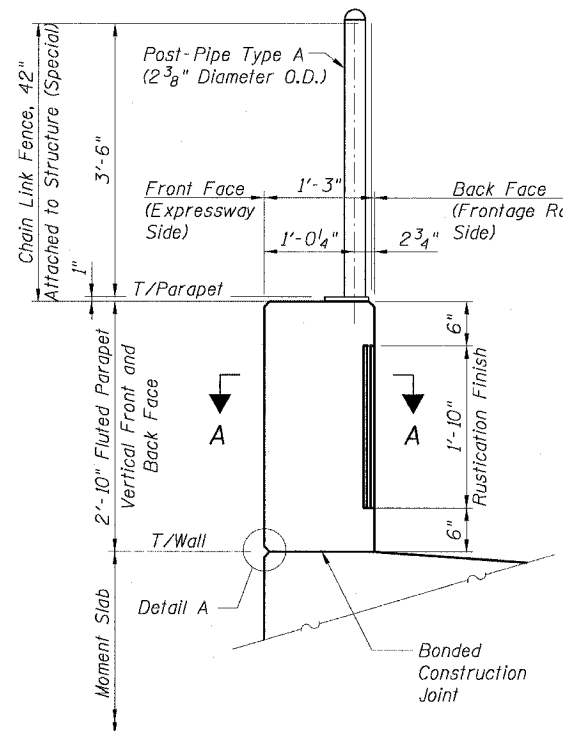
STATE OF ILLINOIS
DEPARTMENT OF TRANSPORTATION

| | | | | |
|-----------------------|-----------------|------------------|--------------|-----------|
| F.A.I. RTE. | SECTION | COUNTY | TOTAL SHEETS | SHEET NO. |
| 90/94 | 2021-922PT.1-AC | COOK | 460 | 224 |
| STA. | TO STA. | | | |
| FED. ROAD DIST. NO. 1 | ILLINOIS | FED. AID PROJECT | | |

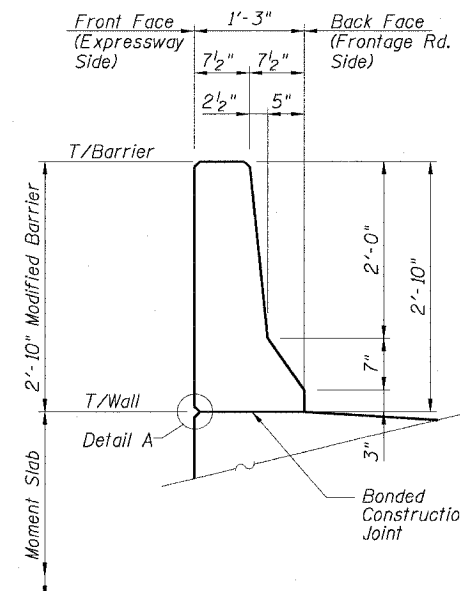
62693



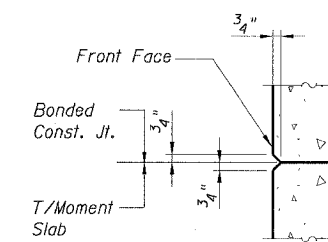
ELEVATION
TYPICAL ARCHITECTURAL FINISH



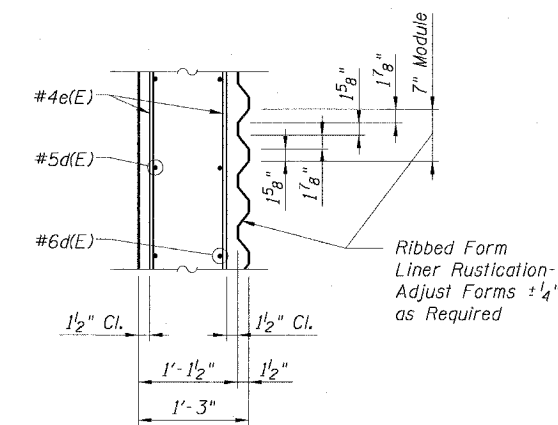
FLUTED PARAPET DETAIL



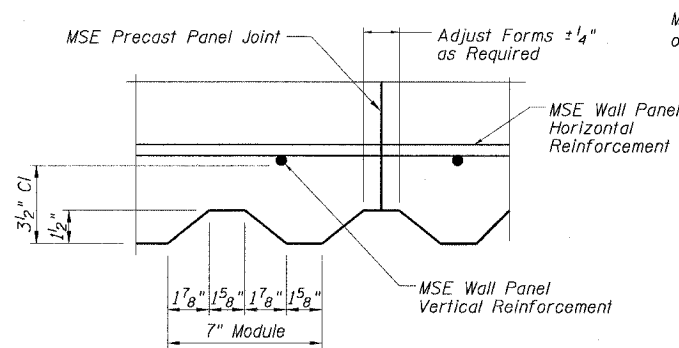
MODIFIED BARRIER DETAIL



DETAIL A



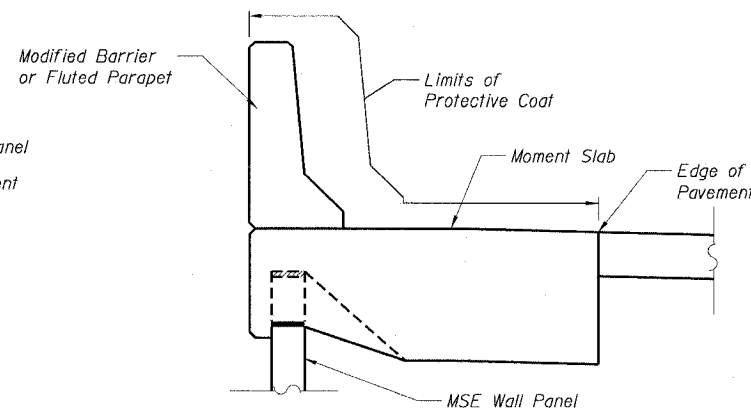
SECTION A-A



MSE WALL PANEL FLUTE DETAIL

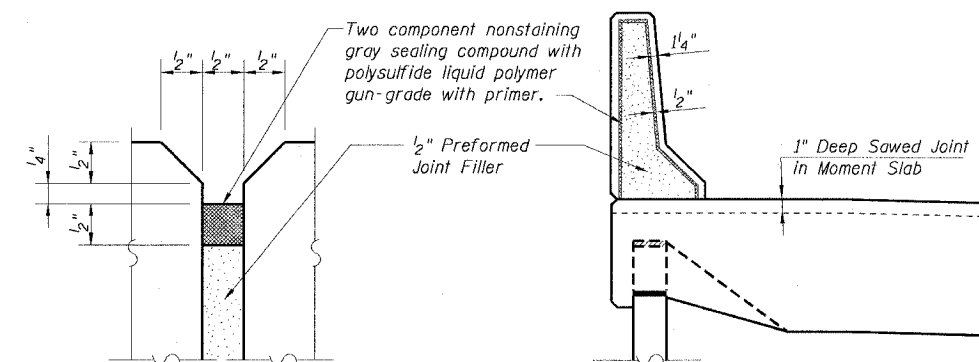
Full Height of Wall

Note:
Flute detail per IDOT District 1 Standard.
See "Rustication Finish and Geocomposite Drain For Retaining Walls".



PROTECTIVE COAT

Modified Barrier Shown
Fluted Parapet Similar



CONTRACTION JOINT DETAIL

Modified Barrier Shown
Fluted Parapet Similar

Sheet XII of 14

| REVISIONS | NAME | DATE |
|-----------|------|------|
| | | |
| | | |
| | | |
| | | |
| | | |
| | | |
| | | |
| | | |
| | | |
| | | |

ILLINOIS DEPARTMENT OF TRANSPORTATION
F.A.I. 90/94 (DAN RYAN EXPRESSWAY)
MISCELLANEOUS DETAILS
SOUTH WENTWORTH AVENUE RETAINING WALL
WEST 55TH STREET TO WEST 51ST STREET
SECTION (2021-922 PT.1, 2 & 2122-921 PT.1) R-4
STATION 108+14.88 TO 114+71.57
COOK COUNTY SN. 016-W882
SCALE: None DRAWN BY: GC/CHD
DATE: October 29, 2004 CHECKED BY: MJP