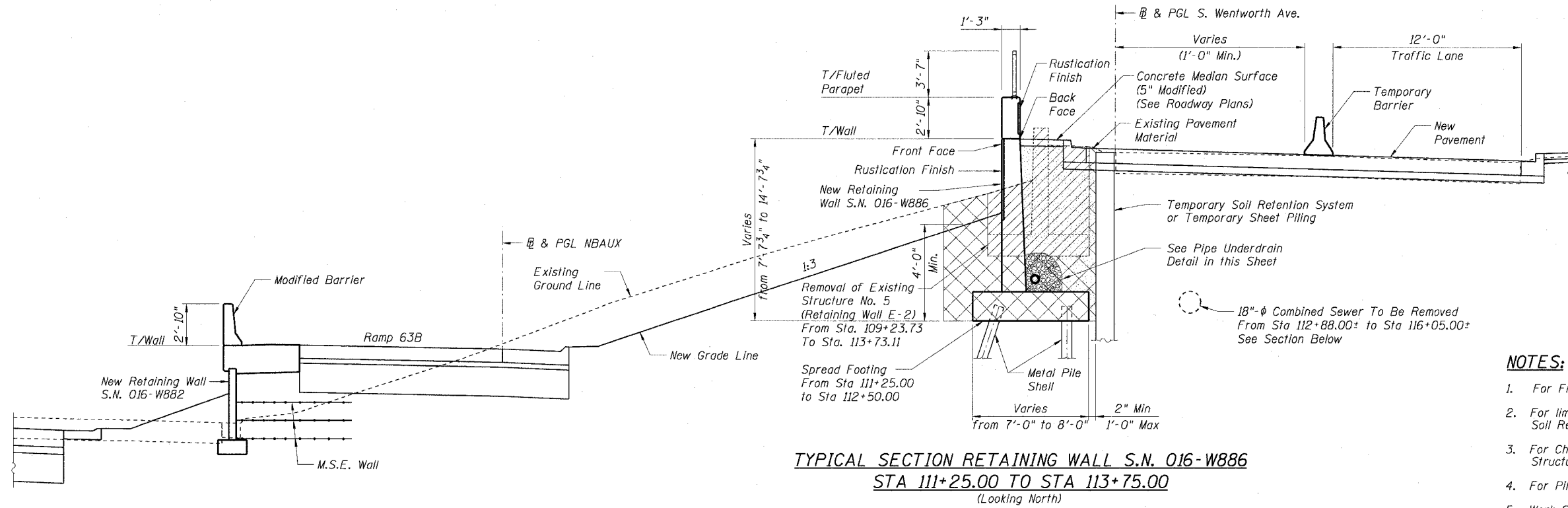
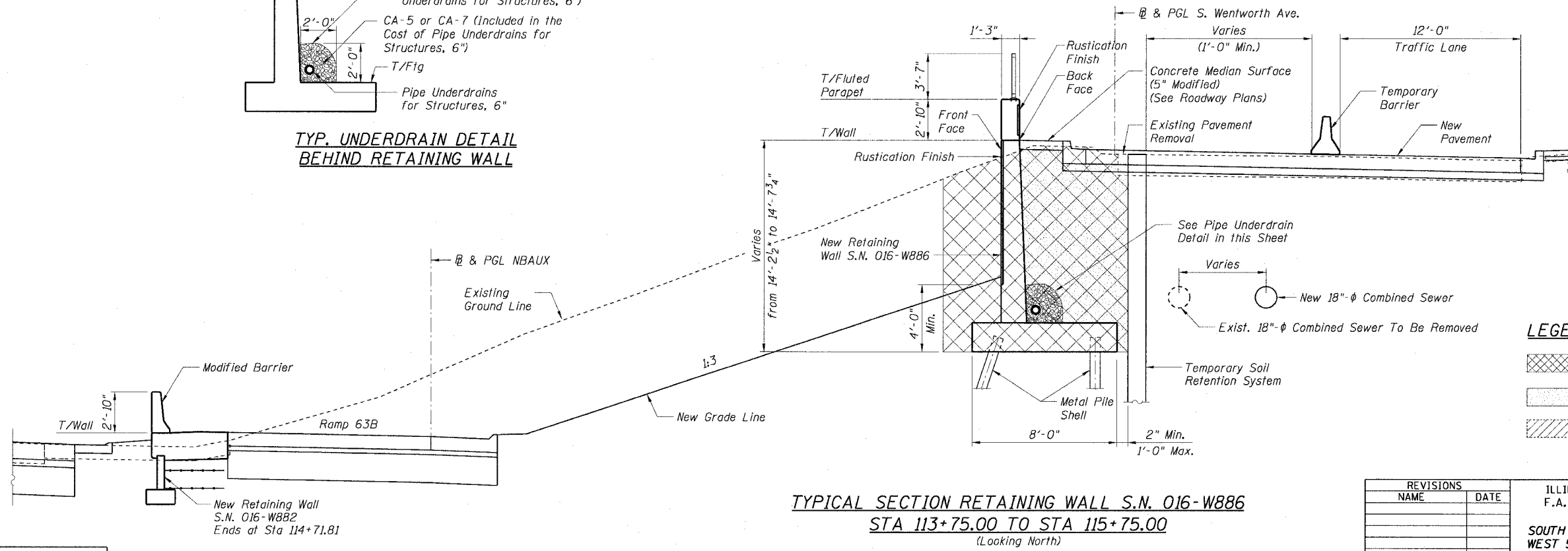
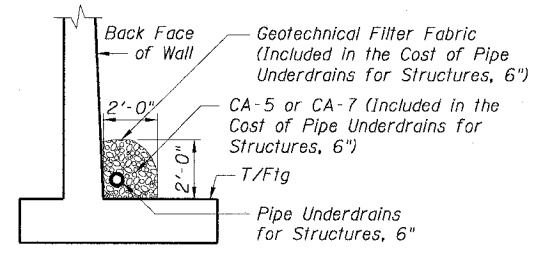


STATE OF ILLINOIS
DEPARTMENT OF TRANSPORTATION

F.A.I. RTE.	SECTION	COUNTY	TOTAL SHEETS	SHEET NO.
90/94	2021-922PT.1-AC	COOK	460	232
STA.	TO STA.			
FED. ROAD DIST. NO. 1	ILLINOIS	FED. AID PROJECT	62693	



- NOTES:**
1. For Fluted Parapet Details see Sheet R19.
 2. For limits of Temporary Sheet Piling and/or Soil Retention System see Sheet R18.
 3. For Chain Link Fence, 42\"/>



LEGEND

	Structure Excavation
	Porous Granular Embankment
	Removal of Existing Structures

REVISIONS

NAME	DATE

Sheet R5 of 28

ILLINOIS DEPARTMENT OF TRANSPORTATION
F.A.I. 90/94 (DAN RYAN EXPRESSWAY)
TYPICAL SECTIONS
SOUTH WENTWORTH AVENUE RETAINING WALL
WEST 59TH STREET TO WEST 63RD STREET
SECTION 2021-922 PT.1-AC
STATION 111+25.00 TO 126+89.58
COOK COUNTY SN. 016-W886

SCALE: None DRAWN BY: ET
DATE: October 29, 2004 CHECKED BY: JSS/MM

11/22/2004 10:55:50 AM