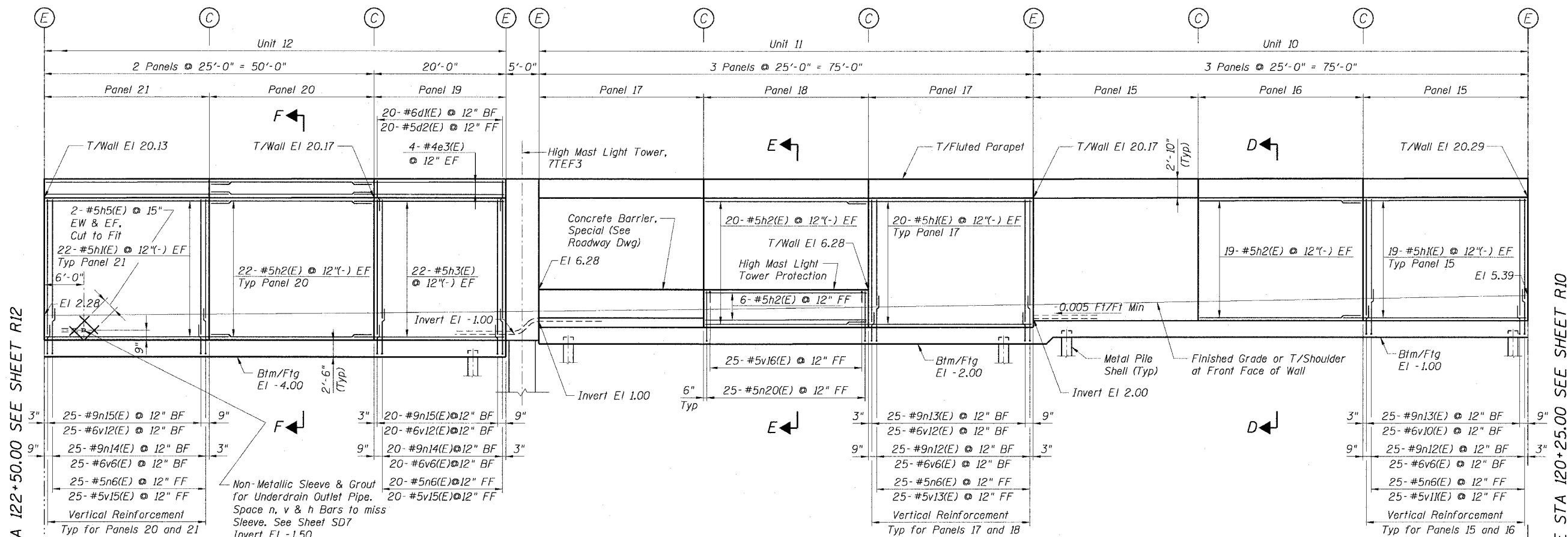


STATE OF ILLINOIS
DEPARTMENT OF TRANSPORTATION

F.A.I. RTE.	SECTION	COUNTY	TOTAL SHEETS	SHEET NO.
90/94	2021-922PT.1-AC	COOK	460	238
STA.	TO STA.			
FED. ROAD DIST. NO. 1	ILLINOIS FED. AID PROJECT			

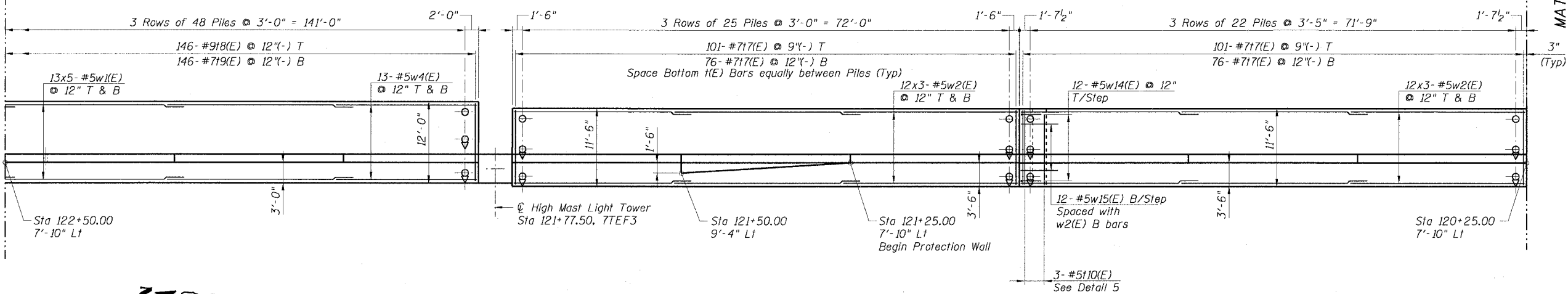
62693



MATCH LINE STA 122+50.00 SEE SHEET R12

MATCH LINE STA 120+25.00 SEE SHEET R10

FRONT FACE ELEVATION
(Looking East)
(Rustication not shown for clarity)



FOOTING PLAN

REVISIONS	
NAME	DATE

Sheet R11 of 28

ILLINOIS DEPARTMENT OF TRANSPORTATION
F.A.I. 90/94 (DAN RYAN EXPRESSWAY)
DETAILED PLAN AND ELEVATION
SOUTH WENTWORTH AVENUE RETAINING WALL
WEST 59TH STREET TO WEST 63RD STREET
SECTION 2021-922PT.1-AC
STATION 111+25.00 TO 126+89.58
COOK COUNTY S.N. 016-W886

SCALE: None DRAWN BY: ET
DATE: October 29, 2004 CHECKED BY: JSS/MM



m:\404658\strud\4\cmt\3c\sh\w886\10101a2c\w886.sht 10/27/2004 04:41:32 PM