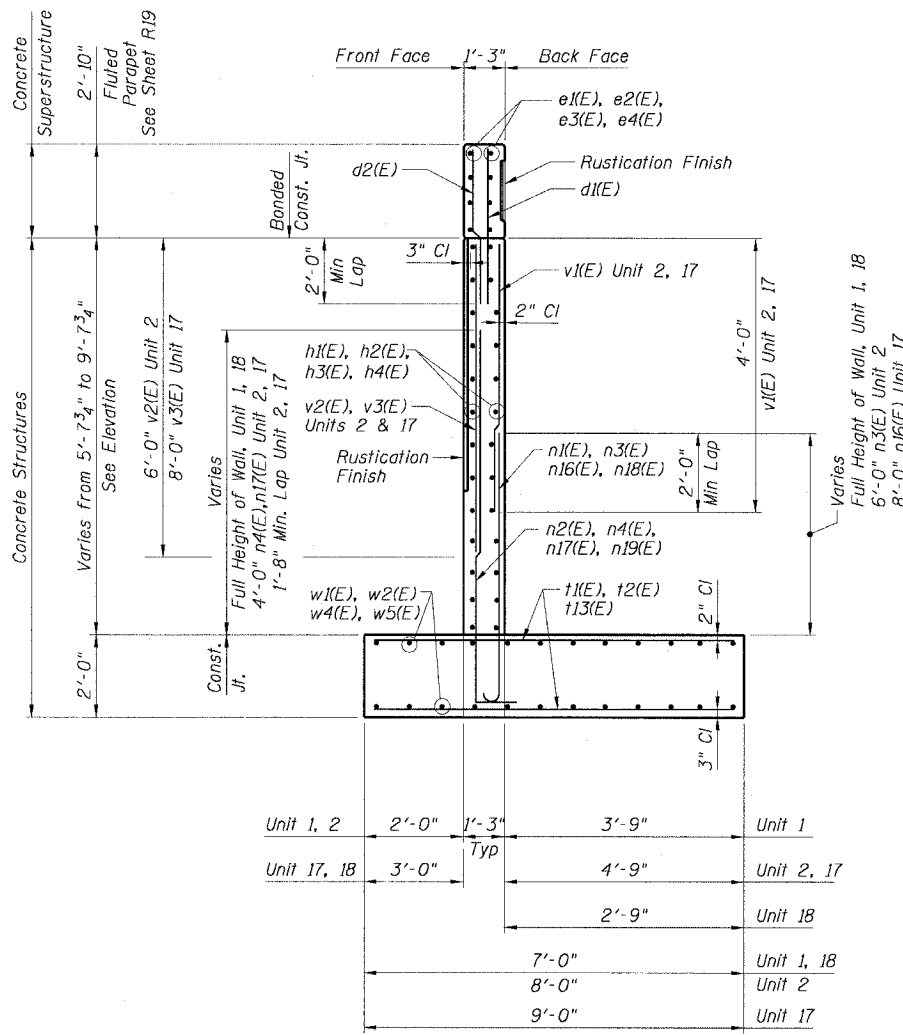


STATE OF ILLINOIS
DEPARTMENT OF TRANSPORTATION

F.A.I. RT.:	SECTION	COUNTY	TOTAL SHEETS	SHEET NO.
90/94	2021-922PT.1-AC	COOK	460	242
STA.	TO STA.			
FED. ROAD DIST. NO. 1	ILLINOIS	FED. AID PROJECT		

62693

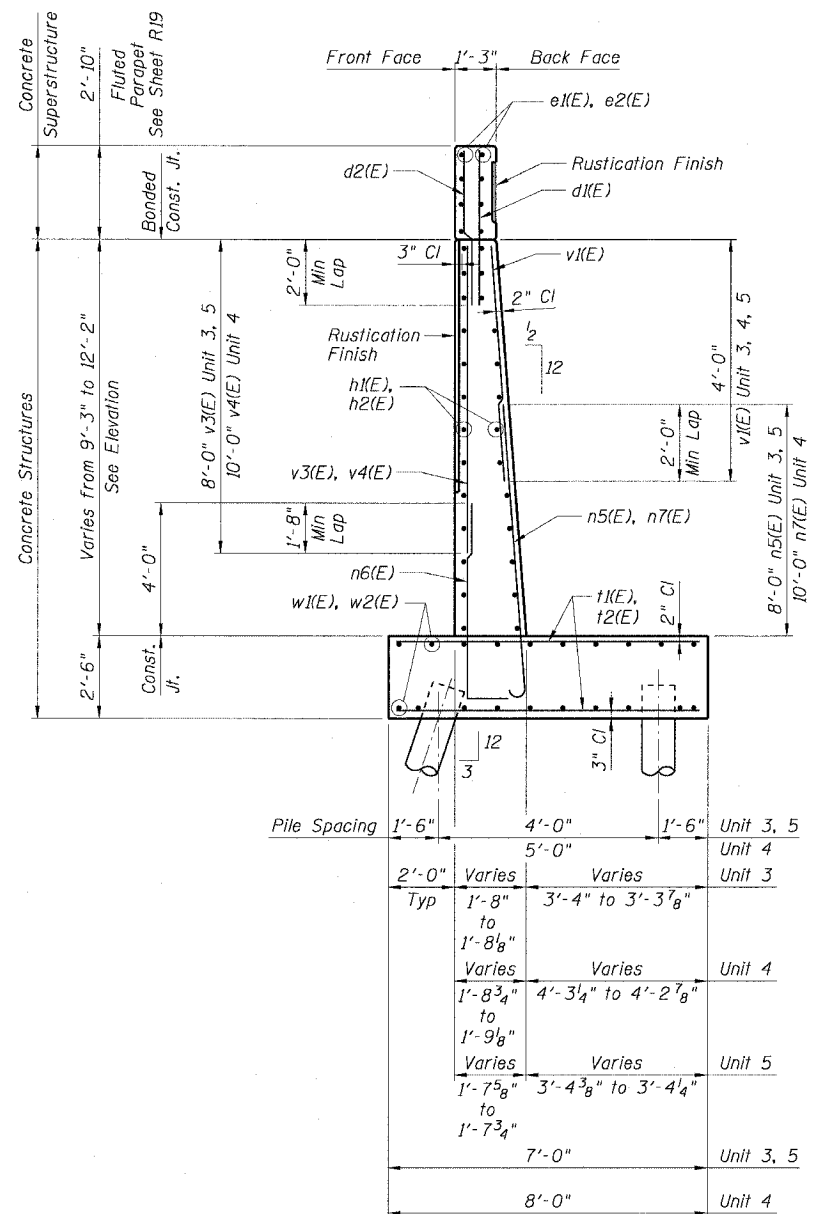


Unit 1, 2	2'-0"	1'-3"	3'-9"	Unit 1
Unit 17, 18	3'-0"	Typ	4'-9"	Unit 2, 17
			2'-9"	Unit 18
			7'-0"	Unit 1, 18
			8'-0"	Unit 2
			9'-0"	Unit 17

SECTION A-A
Unit 1, Sta 111+25.00 to Sta 112+00.00
Unit 2, Sta 112+00.00 to Sta 112+50.00
Unit 17, Sta 125+80.00 to Sta 126+24.99
Unit 18, Sta 126+24.99 to Sta 126+89.58

Unit	Maximum Applied Bearing Pressure
1	2.1 Ksf
2	2.4 Ksf
17	2.4 Ksf
18	2.2 Ksf

TABLE "A"

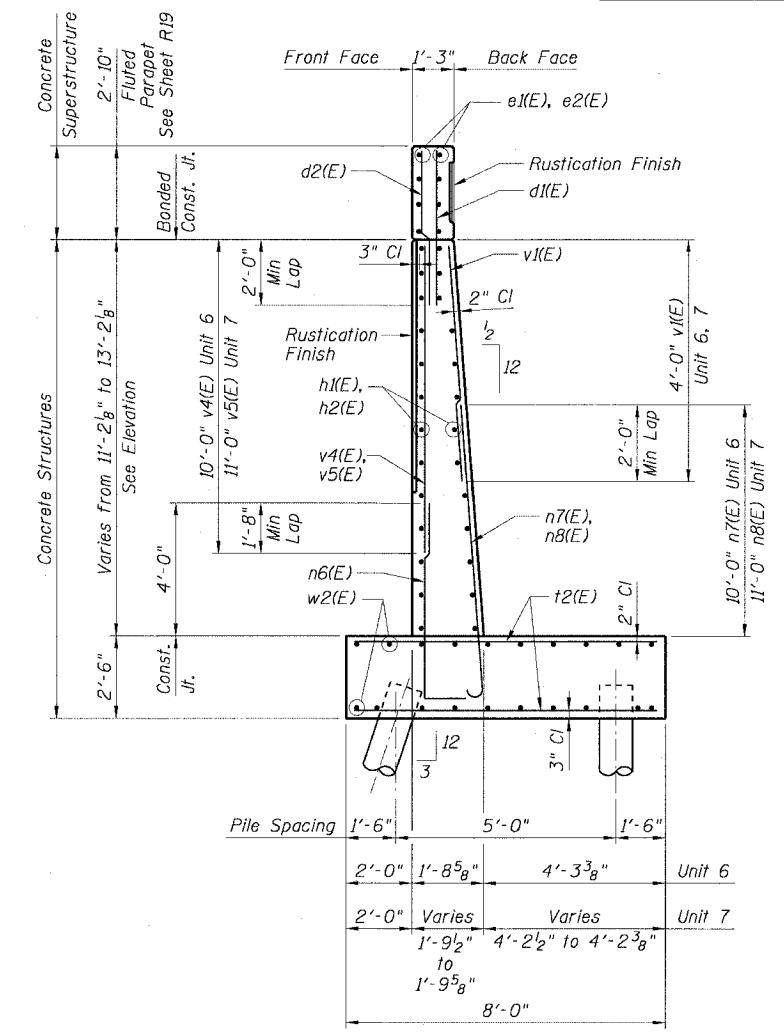


Pile Spacing	1'-6"	4'-0"	1'-6"	Unit 3, 5
		5'-0"		Unit 4
	2'-0"	Varies	Varies	Unit 3
	Typ	1'-8"	3'-4" to 3'-3 7/8"	
		to		
		1'-8 3/8"		Unit 4
		Varies	Varies	
		to		
		1'-9 1/2"	4'-3 1/4" to 4'-2 7/8"	Unit 5
		to		
		1'-9 5/8"		
		to		
		1'-7 3/4"		
		7'-0"		Unit 3, 5
		8'-0"		Unit 4

SECTION B-B
Unit 3, Sta 112+50.00 to Sta 113+50.00
Unit 4, Sta 113+50.00 to Sta 116+00.00
Unit 5, Sta 116+00.00 to Sta 117+50.00

Unit	Estimated Pile Length, Ft	Number Required	Test Pile
3	30	18	0
4	30	147	3
5	32	51	1
6	30	29	0
7	28	37	1
8	25	33	0
9	25	55	1
10	25	65	1
11	25	74	1
12	24	142	2
13	24	62	1
14	24	52	1
15	29	32	0
16	31	22	1

TABLE "B"



Pile Spacing	1'-6"	5'-0"	1'-6"	Unit 6
	2'-0"	1'-8 5/8"	4'-3 3/8"	Unit 6
	2'-0"	Varies	Varies	Unit 7
		to		
		1'-9 1/2"	4'-2 1/2" to 4'-2 3/8"	
		to		
		1'-9 5/8"		
		8'-0"		

SECTION C-C
Unit 6, Sta 117+50.00 to Sta 118+25.00
Unit 7, Sta 118+25.00 to Sta 119+00.00

NOTES:

- For Bar Bending Diagrams see Sheet R20.
- Pile Type: 12" Metal Shell Cast-In-Place Concrete Piles.
Design Capacity: 45 Tons, Min. Wall Thickness for Metal Piles: 0.25"
- Sub-base for wall footings shall be well compacted per the Standard Specifications.
- Work Sheets R15 thru R17 together.
- See Table "A" for Maximum Applied Bearing Pressure and Table "B" for Number of Piles Required and Estimated Lengths.



REVISIONS	
NAME	DATE

ILLINOIS DEPARTMENT OF TRANSPORTATION
F.A.I. 90/94 (DAN RYAN EXPRESSWAY)
WALL SECTIONS
SOUTH WENTWORTH AVENUE RETAINING WALL
WEST 59TH STREET TO WEST 63RD STREET
SECTION 2021-922 PT.1-AC
STATION 111+25.00 TO 126+89.58
COOK COUNTY S.M. 016-W886
SCALE: None DRAWN BY: ET
DATE: October 29, 2004 CHECKED BY: JSS/JMM

Sheet R15 of 28

11/22/2004 11:03:49 AM