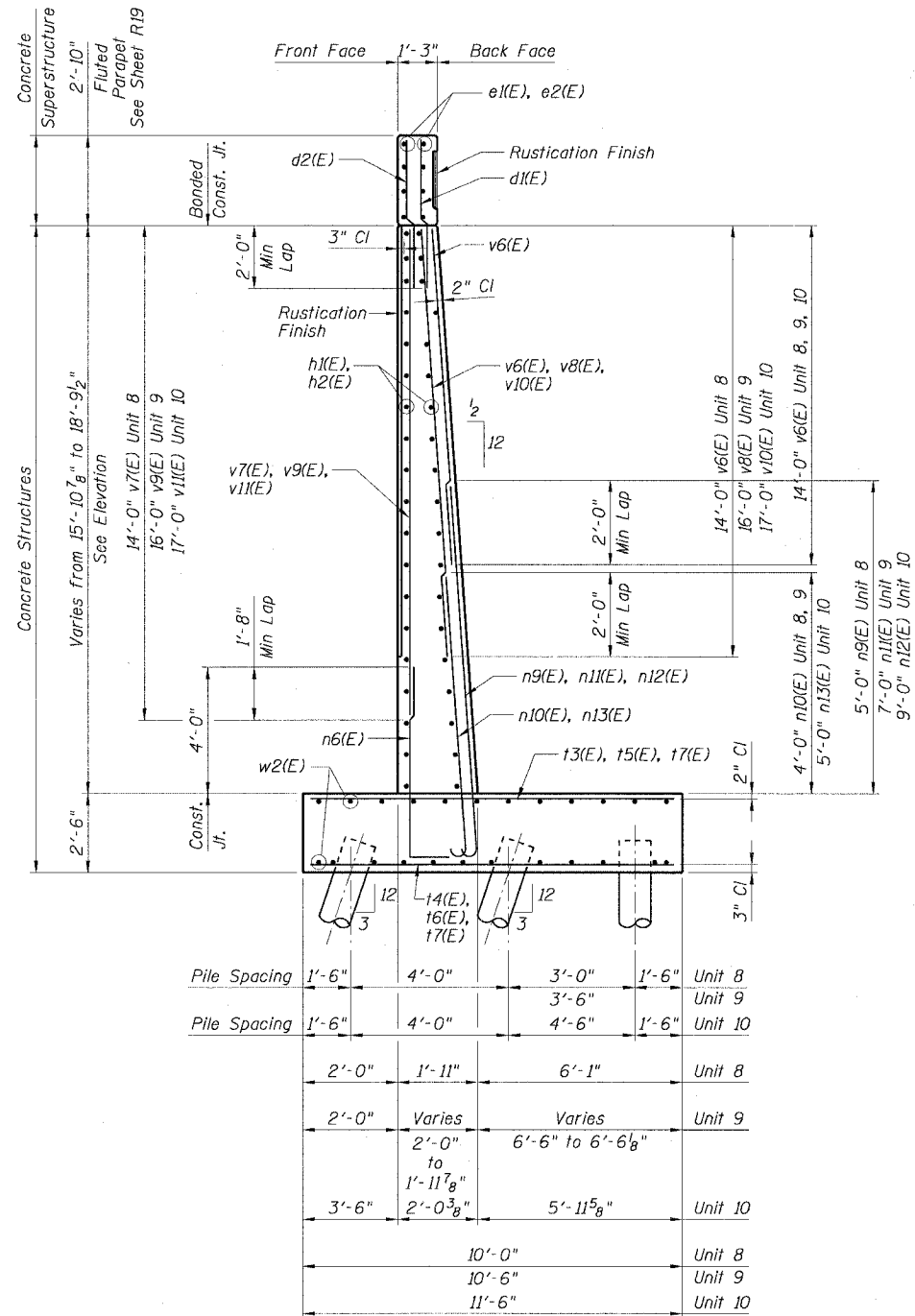


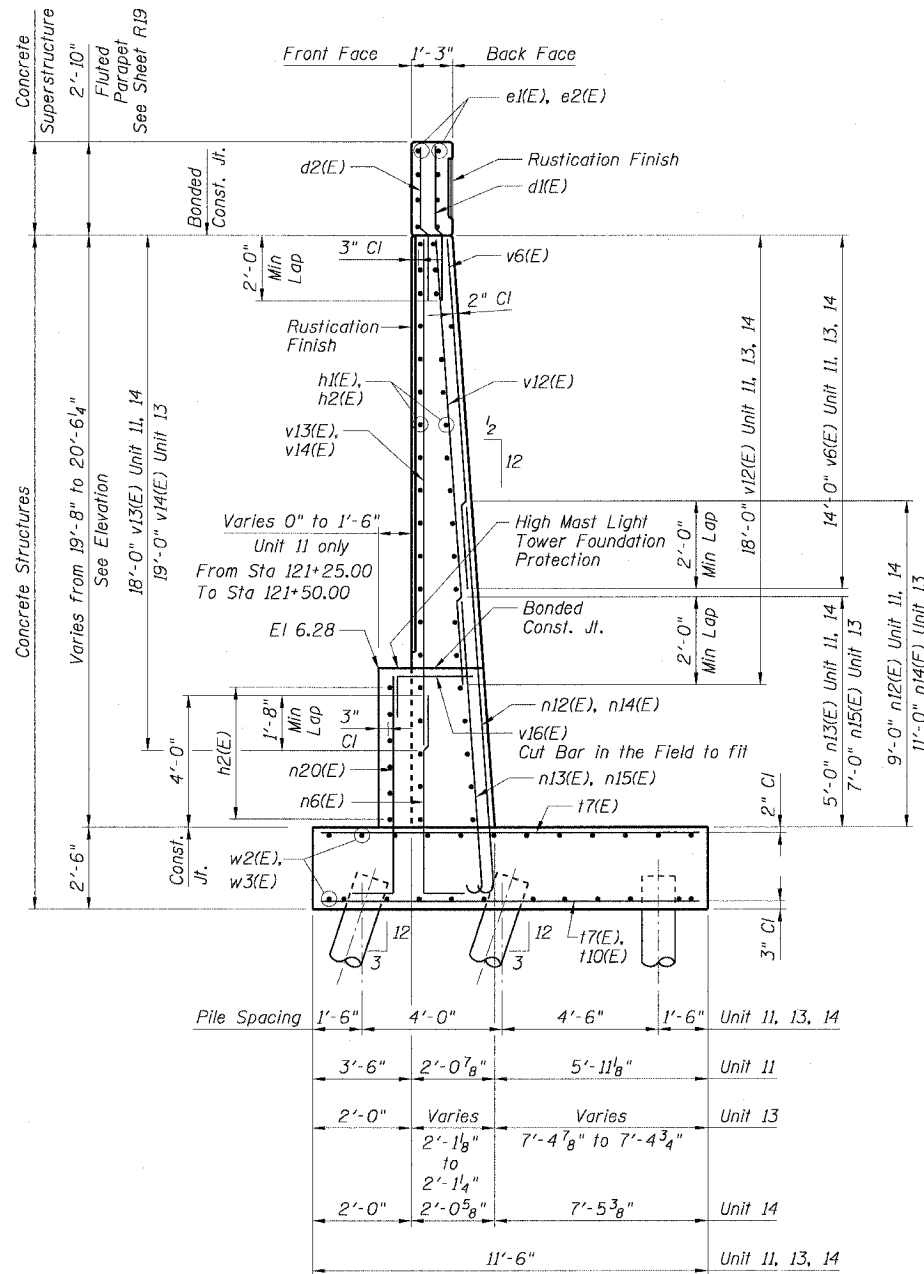
STATE OF ILLINOIS
DEPARTMENT OF TRANSPORTATION

F.A.I. RTE.	SECTION	COUNTY	TOTAL SHEETS	SHEET NO.
90/94	2021-922PT.1-AC	COOK	460	243
STA.	TO STA.			
FED. ROAD DIST. NO. 1	ILLINOIS	FED. AID PROJECT		

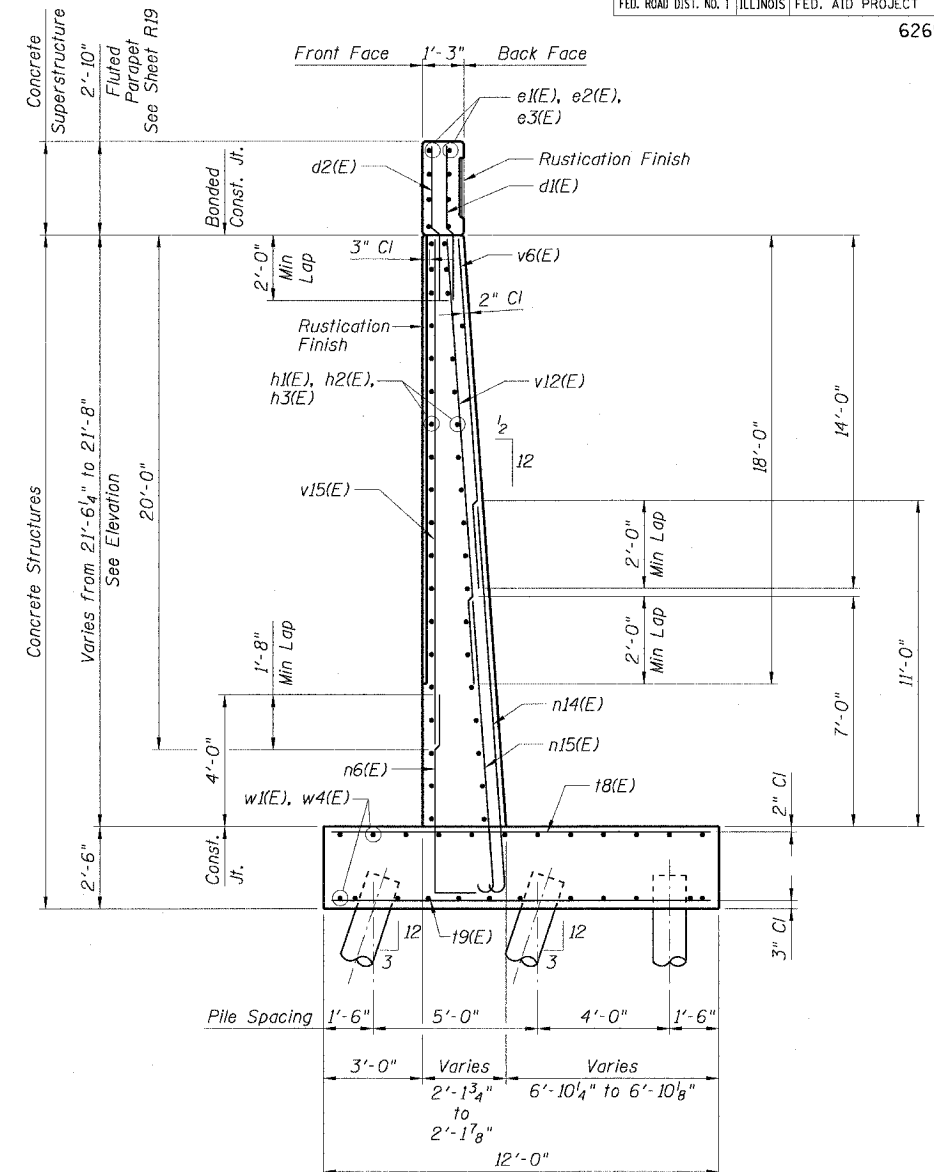
62693



SECTION D-D
Unit 8, Sta 119+00.00 to Sta 119+50.00
Unit 9, Sta 119+50.00 to Sta 120+25.00
Unit 10, Sta 120+25.00 to Sta 121+00.00



SECTION E-E
Unit 11, Sta 121+00.00 to Sta 121+75.00
Unit 13, Sta 123+25.00 to Sta 124+00.00
Unit 14, Sta 124+00.00 to Sta 124+75.00



SECTION F-F
Unit 12, Sta 121+80.00 to Sta 123+25.00



REVISIONS	
NAME	DATE

ILLINOIS DEPARTMENT OF TRANSPORTATION
F.A.I. 90/94 (DAN RYAN EXPRESSWAY)
WALL SECTIONS
SOUTH WENTWORTH AVENUE RETAINING WALL
WEST 59TH STREET TO WEST 63RD STREET
SECTION 2021-922 PT.1-AC
STATION 111+25.00 TO 126+89.58
COOK COUNTY S.N. 016-W886

SCALE: None DRAWN BY: ET
DATE: October 29, 2004 CHECKED BY: JSS/MM

10/27/2004 04:41:35 PM m:\p0404661\stuct\14-unit13c\91nw\886\10101602r\w886.rvt