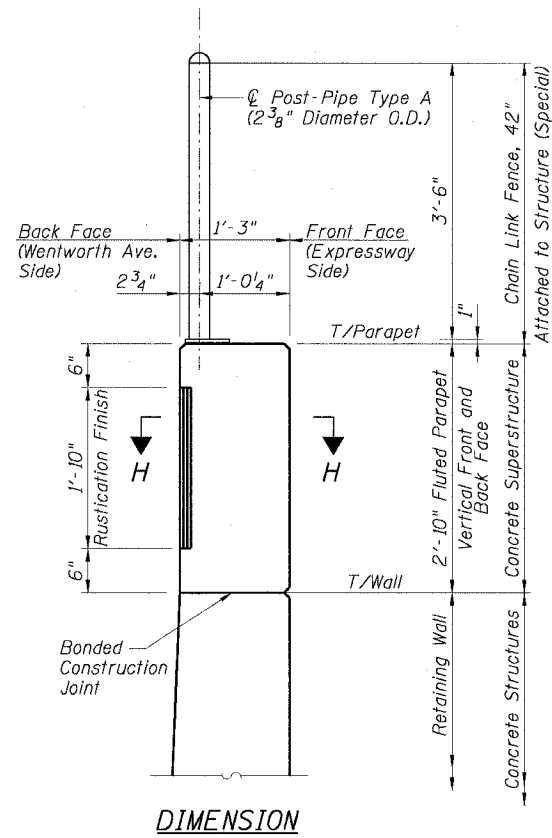


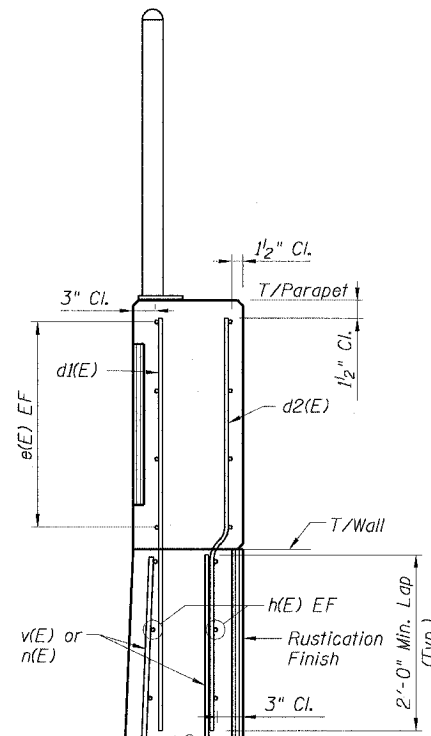
STATE OF ILLINOIS  
DEPARTMENT OF TRANSPORTATION

F.A.I. RTE.	SECTION	COUNTY	TOTAL SHEETS	SHEET NO.
90/94(2021-922PT.1-AC)		COOK	460	246
STA.	TO STA.			
FED. ROAD DIST. NO. 1	ILLINOIS	FED. AID PROJECT		

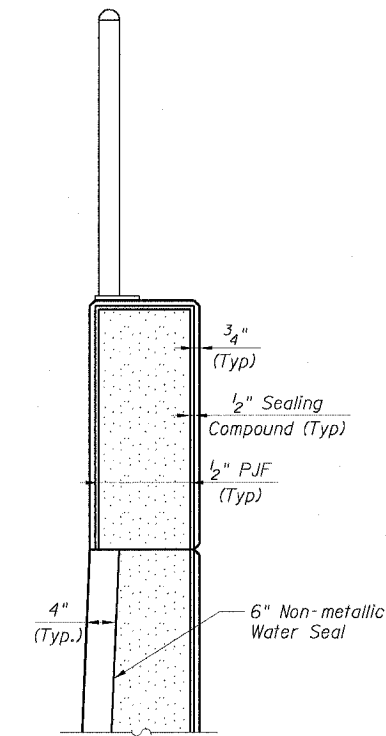
62693



**DIMENSION**

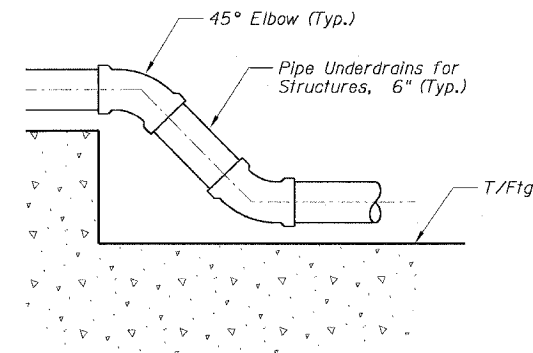


**REINFORCING**



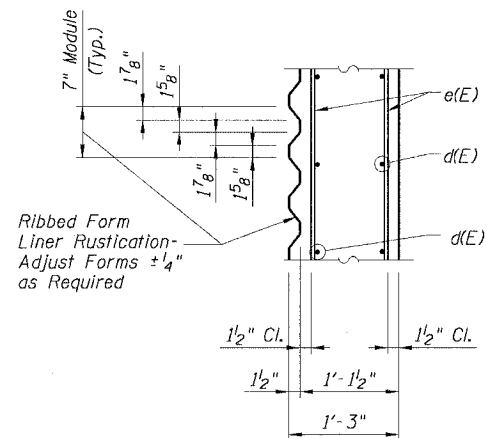
**EXPANSION JOINT**

**TYPICAL SECTIONS - FLUTED PARAPET**

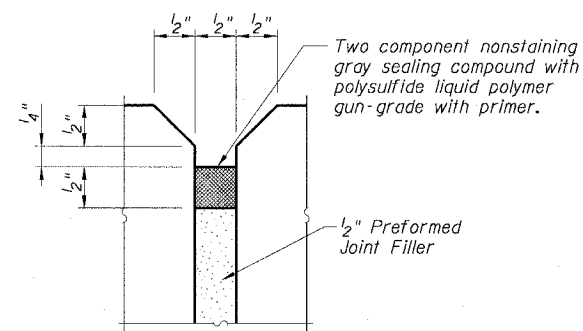


**DETAIL 10**

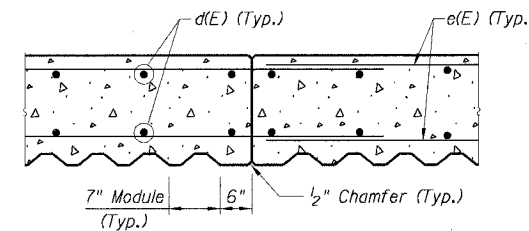
Bend for Pipe Underdrains for Structures, 6" (Typ.)



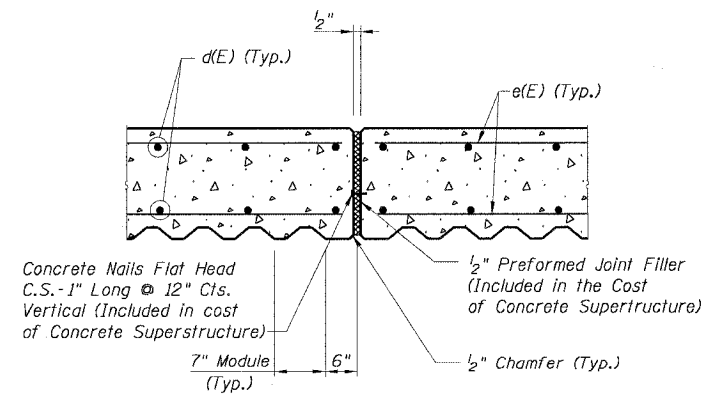
**SECTION H-H**



**EXPANSION JOINT SEALING DETAIL**



**CONSTRUCTION JOINT DETAIL**



**EXPANSION JOINT DETAIL**

**NOTES:**

1. For Bar Bending Diagrams see Sheet R20.
2. For Chain Link Fence, 42" Attached to Structure (Special) Detail see Sheet SD1.
3. For Location of Outlet Pipe(s) and Detail 10 see Sheets R7 to R13. (Detailed Plan & Elevation sheets)
4. Expansion joint sealing detail also apply to Retaining Wall.

Sheet R19 of 28

REVISIONS	
NAME	DATE

ILLINOIS DEPARTMENT OF TRANSPORTATION  
F.A.I. 90/94 (DAN RYAN EXPRESSWAY)  
TYPICAL FLUTED PARAPET AND MISC. DETAILS  
SOUTH WENTWORTH AVENUE RETAINING WALL  
WEST 59TH STREET TO WEST 63RD STREET  
SECTION 2021-922 PT.1-AC  
STATION 111+25.00 TO 126+89.58  
COOK COUNTY SN. 016-W886  
SCALE: None DRAWN BY: ET  
DATE: October 29, 2004 CHECKED BY: JSS/MM

10/27/2004 04:41:37 PM m:\p\046861\1\4-cm\9c\98\w886\1\01\05020-w886.dwg