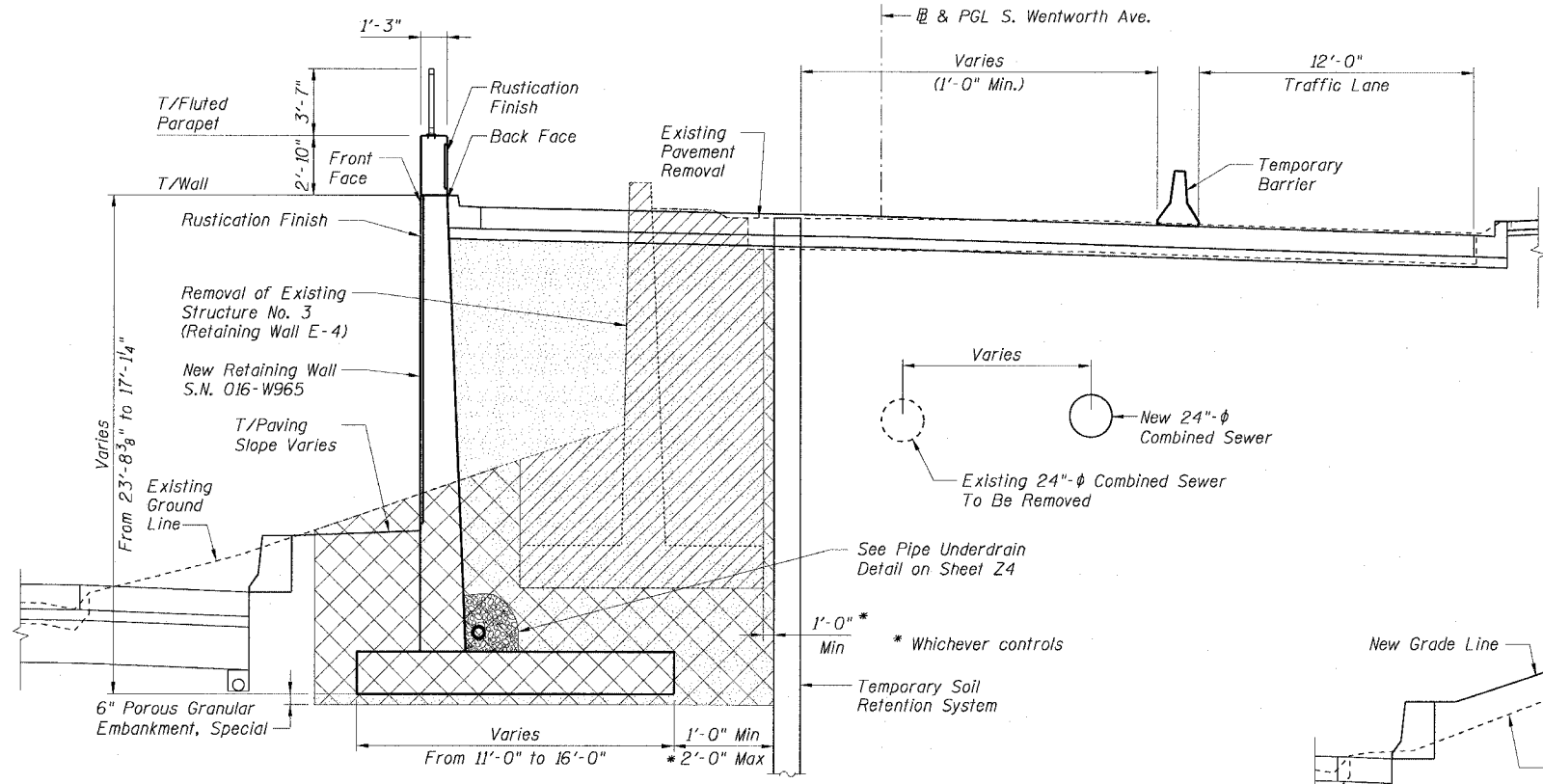
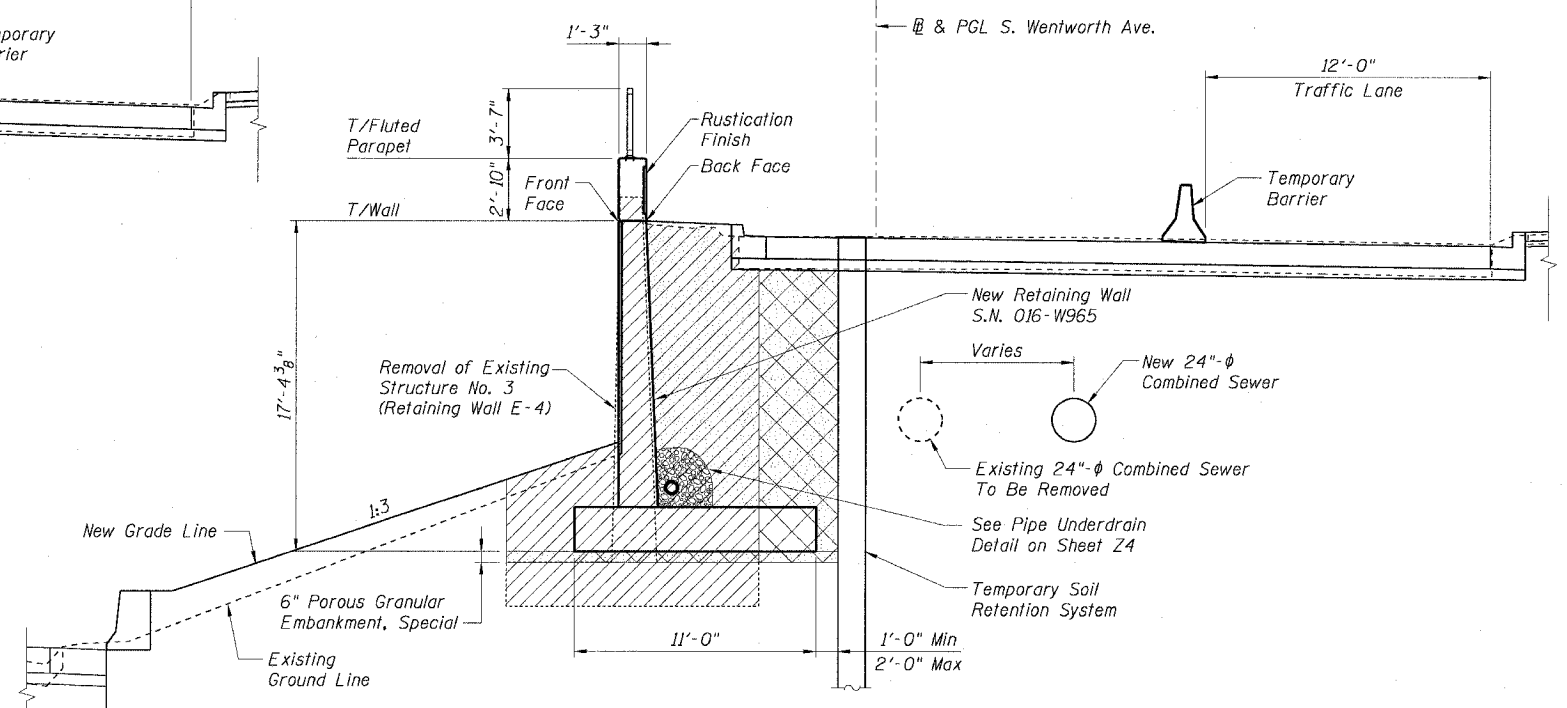


STATE OF ILLINOIS
DEPARTMENT OF TRANSPORTATION

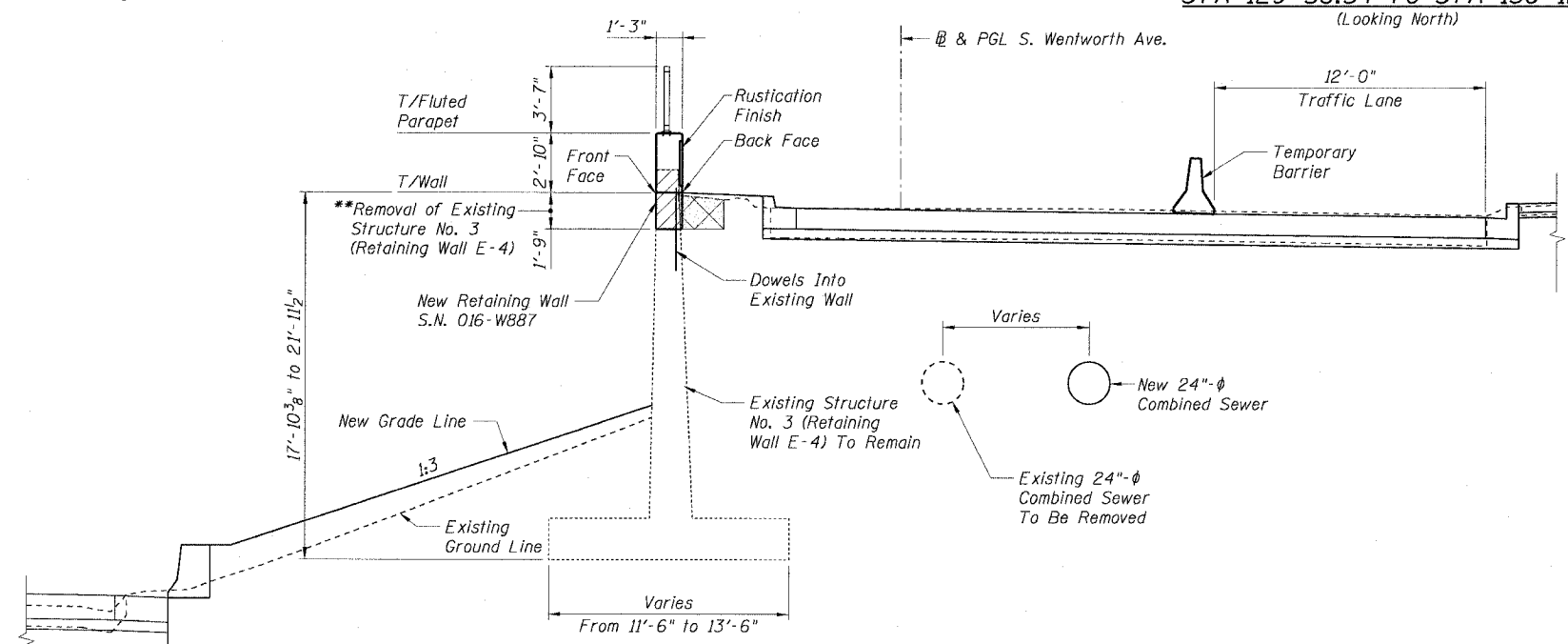
F.A.I. RTE.	SECTION	COUNTY	TOTAL SHEETS	SHEET NO.
90/94	2021-922PT.1-AC	COOK	460	260
STA.	TO STA.			
FED. ROAD DIST. NO. 1	ILLINOIS FED. AID PROJECT		62693	



TYPICAL SECTION RETAINING WALL S.N. 016-W965
STA 127+63.07 TO STA 129+12.46
(Looking North)



TYPICAL SECTION RETAINING WALL S.N. 016-W965
STA 129+56.54 TO STA 130+12.59
(Looking North)



TYPICAL SECTION RETAINING WALL S.N. 016-W887
STA 129+12.46 TO STA 129+56.54
**STA 130+12.59 TO STA 130+53.87
(Looking North)

LEGEND

	Structure Excavation
	Porous Granular Embankment
	Removal of Existing Structures

REVISIONS

NAME	DATE

Sheet 25 of 21

ILLINOIS DEPARTMENT OF TRANSPORTATION
F.A.I. 90/94 (DAN RYAN EXPRESSWAY)
TYPICAL SECTIONS
SOUTH WENTWORTH AVENUE RETAINING WALL
WEST 59TH STREET TO WEST 63RD STREET
SECTION 2021-922 PT.1- AC
STATION 122+46.54 TO 130+53.87
COOK COUNTY SN. 016-W887-W965

SCALE: None DRAWN BY: ET
DATE: October 29, 2004 CHECKED BY: JSS/MM



11/23/2004 01:25:46 PM