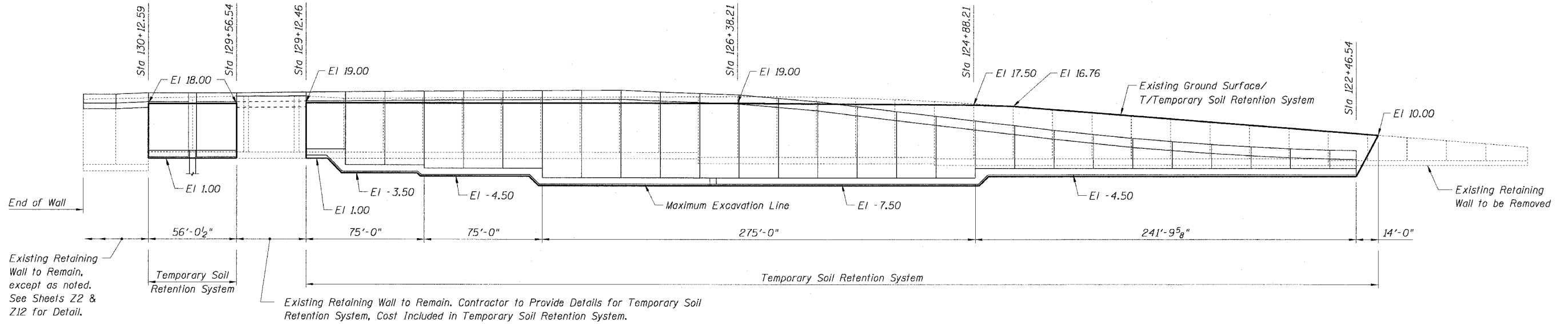


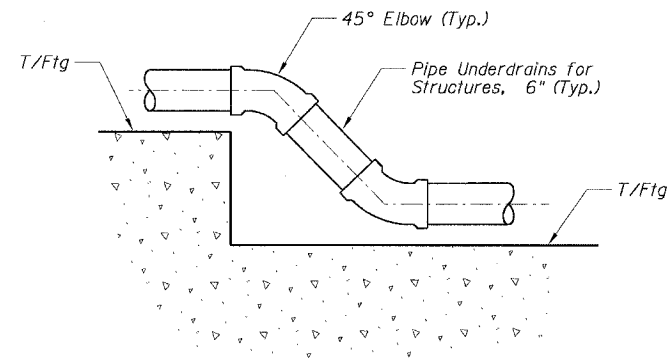
STATE OF ILLINOIS
DEPARTMENT OF TRANSPORTATION

F.A.I. RTE.	SECTION	COUNTY	TOTAL SHEETS	SHEET NO.
90/94	2021-922PT.1-AC	COOK	460	268
STA.	TO STA.			
FED. ROAD DIST. NO. 1	ILLINOIS	FED. AID PROJECT		

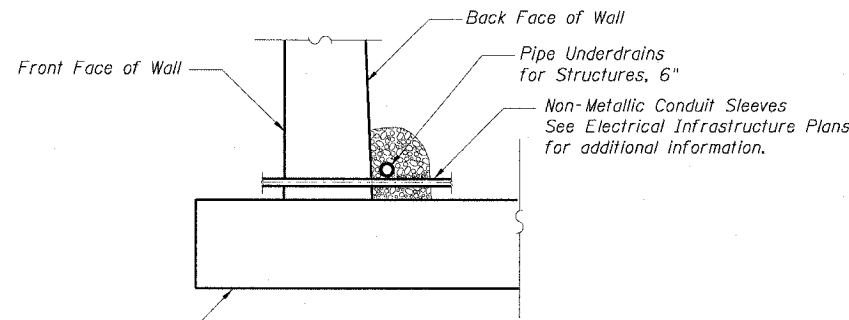
62693



ELEVATION



DETAIL 4
45° Bend for Pipe Underdrains for Structures, 6"



DETAIL 5
(Looking North)

NOTE FOR TEMPORARY SOIL RETENTION SYSTEM:

A cantilevered sheet piling design does not appear feasible and additional members or other retention systems may be necessary. The Contractor shall submit a temporary soil retention system design including plan details and calculations for review and acceptance by the Engineer.

Sheet Z13 of 21

REVISIONS		NAME	DATE
NO.	DESCRIPTION		

ILLINOIS DEPARTMENT OF TRANSPORTATION
F.A.I. 90/94 (DAN RYAN EXPRESSWAY)
TEMP. SOIL RETENTION SYSTEM AND DETAIL
SOUTH WENTWORTH AVENUE RETAINING WALL
WEST 59TH STREET TO WEST 63RD STREET
SECTION 2021-922 PT.1-AC
STATION 122+46.54 TO 130+53.87
COOK COUNTY SN. 016-W887-W965
SCALE: None DRAWN BY: ET
DATE: October 29, 2004 CHECKED BY: JSS/MM

11/23/2004 04:29:44 PM