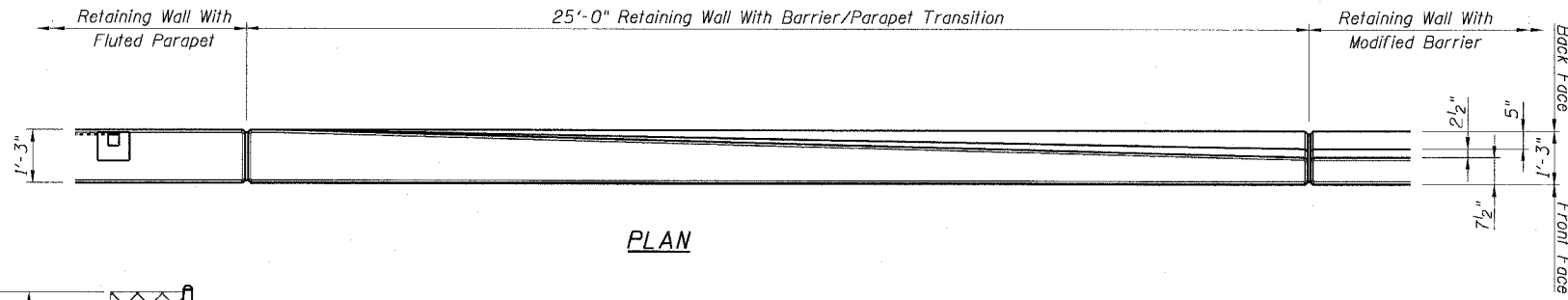


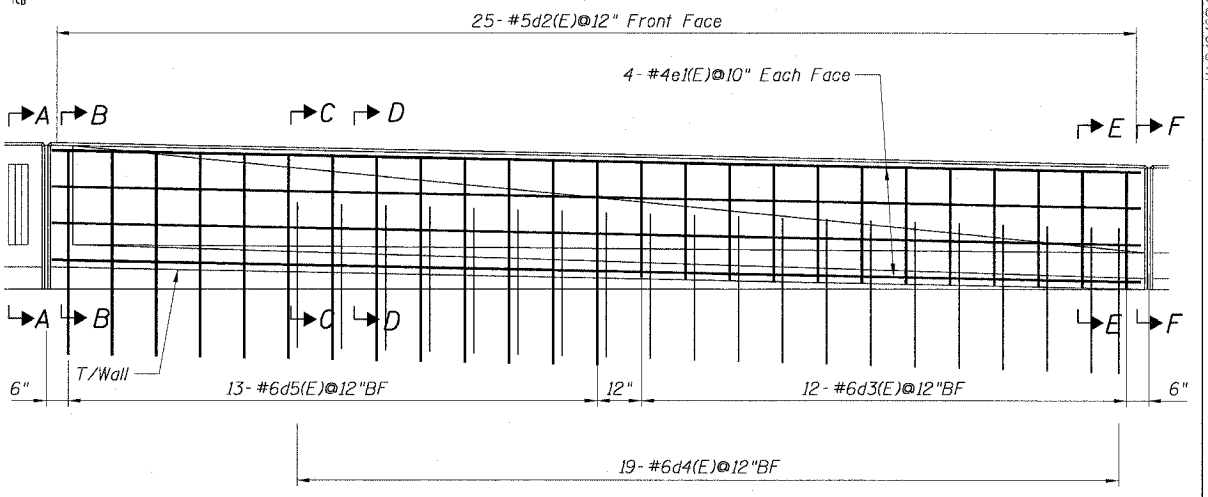
STATE OF ILLINOIS
DEPARTMENT OF TRANSPORTATION

F.A.I. RTE.	SECTION	COUNTY	TOTAL SHEETS	SHEET NO.
90/94	2021-922PT.1-AC	COOK	460	285
STA.	TO STA.			
FED. ROAD DIST. NO. 1	ILLINOIS	FED. AID PROJECT		

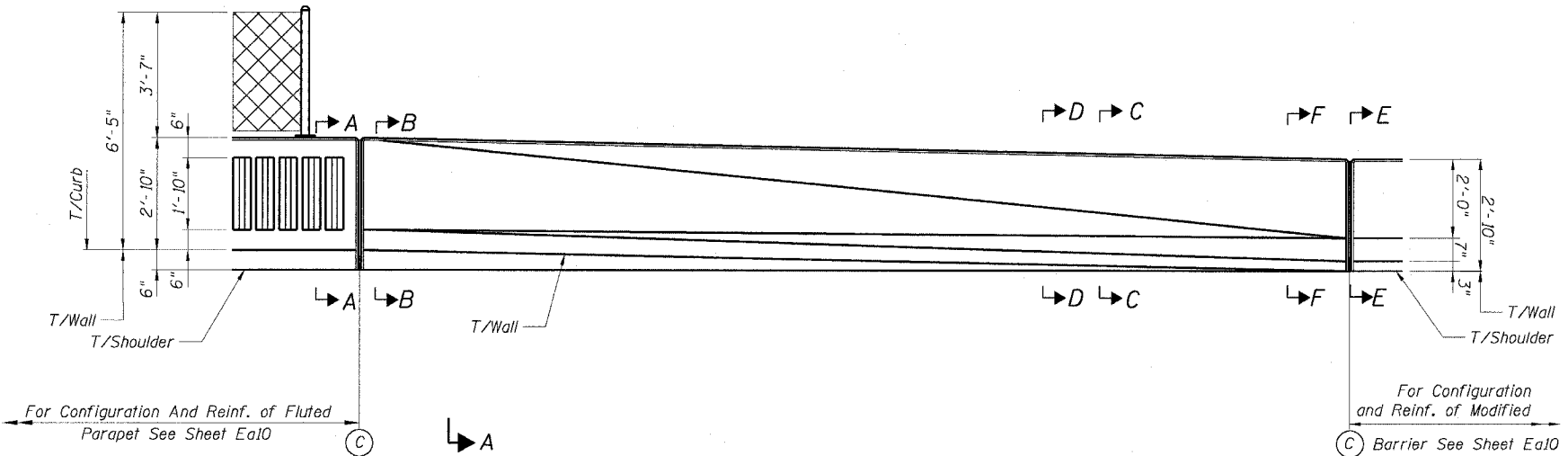
62693



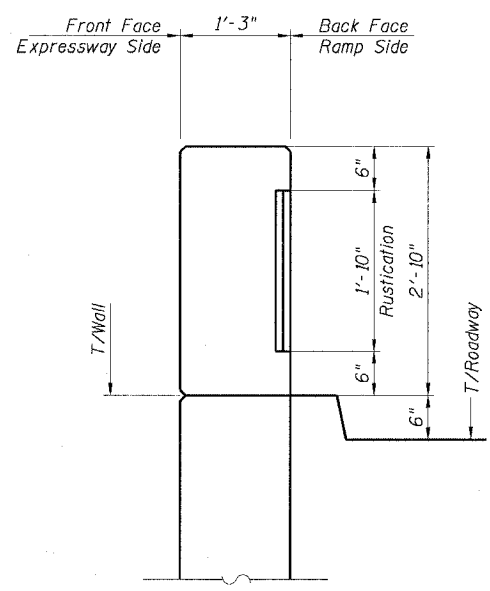
PLAN



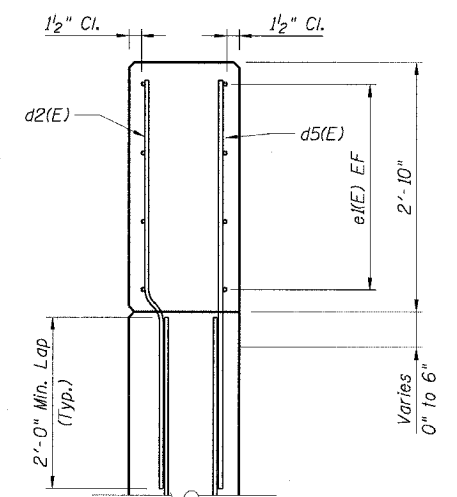
BACK FACE ELEVATION - TRANSITION - MODIFIED BARRIER TO FLUTED PARAPET - REINFORCING



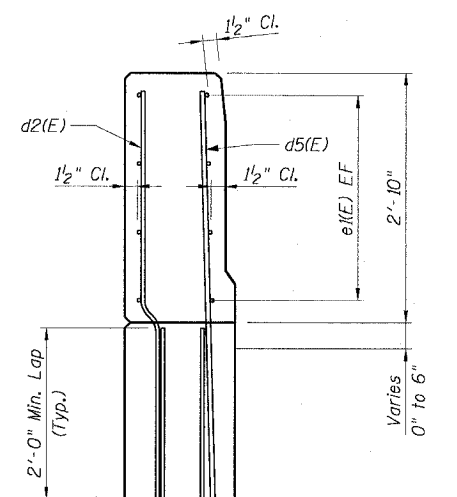
BACK FACE ELEVATION - TRANSITION - MODIFIED BARRIER TO FLUTED PARAPET - CONCRETE DIMENSIONS



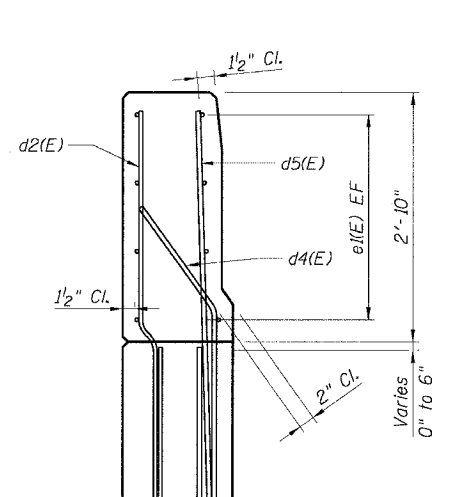
SECTION A-A



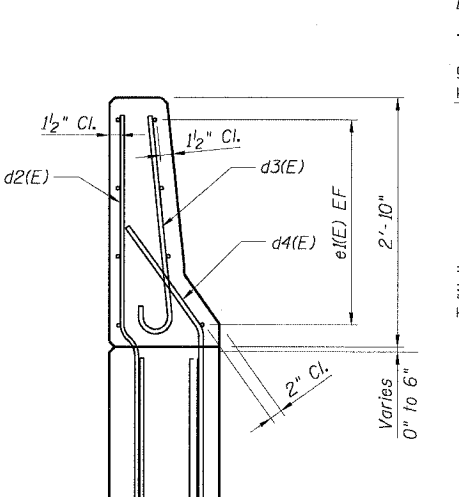
SECTION B-B



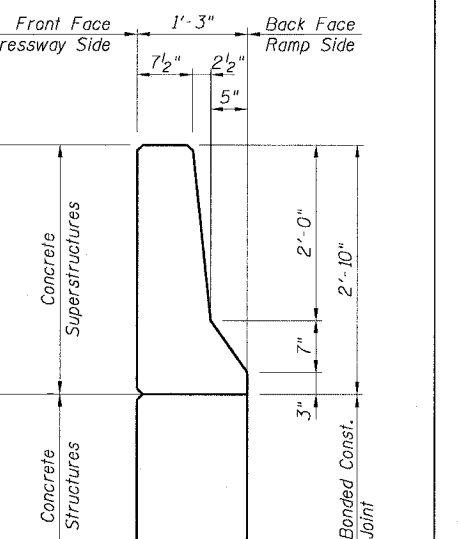
SECTION C-C



SECTION D-D



SECTION E-E



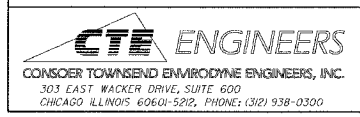
SECTION F-F

- LEGEND:**
- (C) Construction Joint
 - (E) Expansion Joint
 - Chain Link Fabric
 - Rustication Finish

REVISIONS	
NAME	DATE

ILLINOIS DEPARTMENT OF TRANSPORTATION
F.A.I. 90/94 (DAN RYAN EXPRESSWAY)
PARAPET TRANSITION
SOUTH WELLS STREET RETAINING WALL
WEST 63RD STREET TO WEST 62ND STREET
SECTION (2021-922PT.1-AC)
STATION 509+41.43 TO 513+00.04
COOK COUNTY SN. 016-W907

SCALE: None DRAWN BY: ET/CHD
DATE: October 29, 2004 CHECKED BY: CG/AJS



M:\P\40465_S17\214-C111\SC\1511W907_VR70909092A016-W907.dwg 11/23/2004 11:03:49 AM