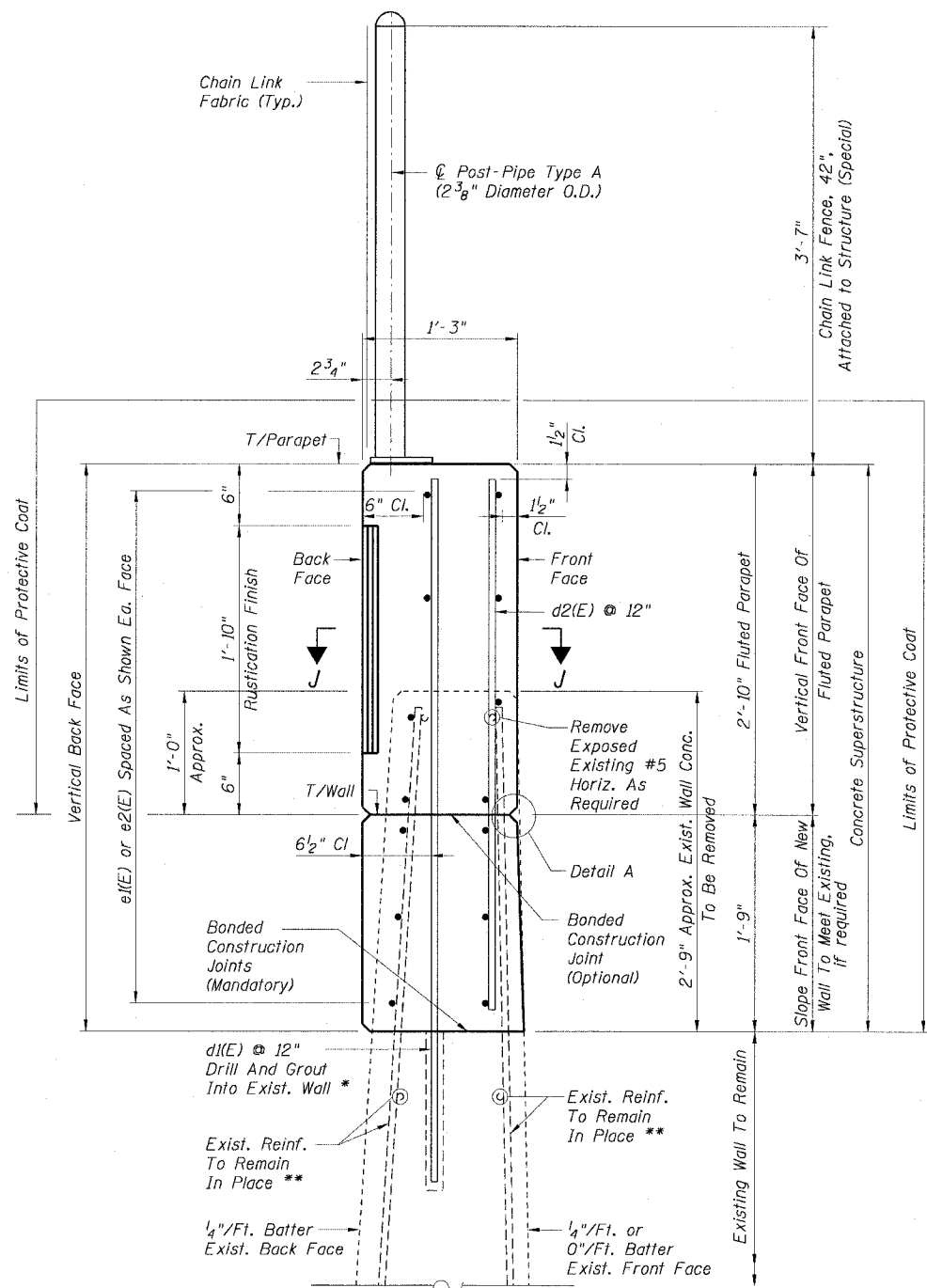


STATE OF ILLINOIS
DEPARTMENT OF TRANSPORTATION

F.A.I. RTE.	SECTION	COUNTY	TOTAL SHEETS	SHEET NO.
90/94	2021-922PT.1-AC	COOK	460	305
STA.	TO STA.			
FED. ROAD DIST. NO. 1	ILLINOIS	FED. AID PROJECT		

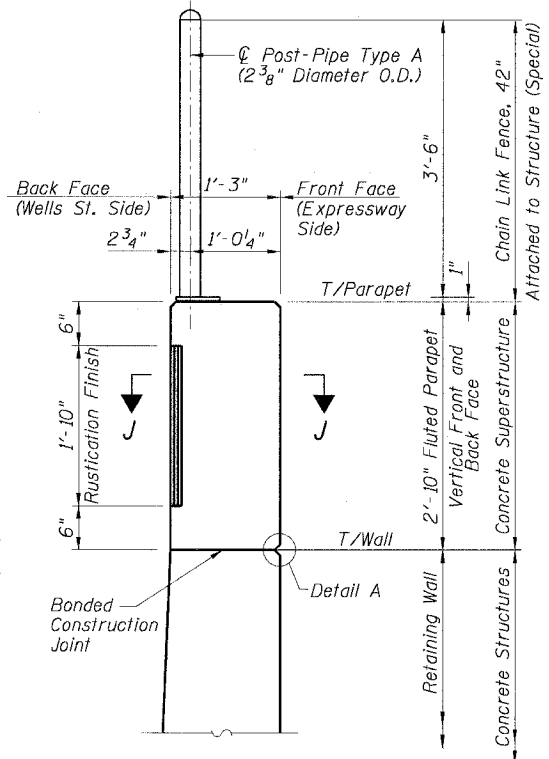
62693



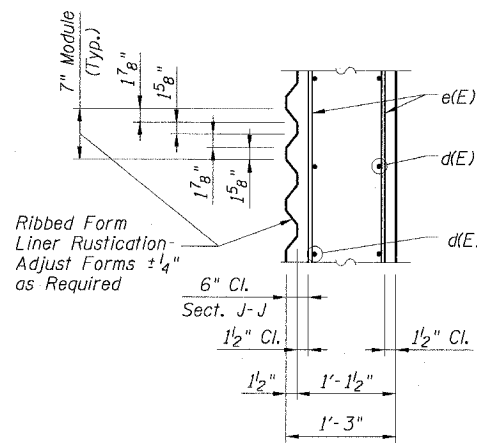
SECTION F-F

* Drill & Grout d1(E) Bars in 1 1/8" Dia. drilled holes with a minimum depth of 15". According to Article 584 of the Standard Specifications. (Cost included with Reinforcement Bars, Epoxy Coated)

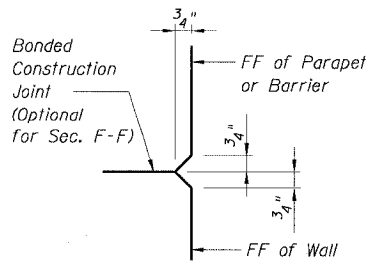
** Existing reinforcing steel which is exposed by the concrete removal process, but which is to remain partially embedded in the existing structure, shall be cleaned to be free of existing concrete and rust, straightened if necessary, and recast into the new concrete. (Cost included with Concrete Removal).



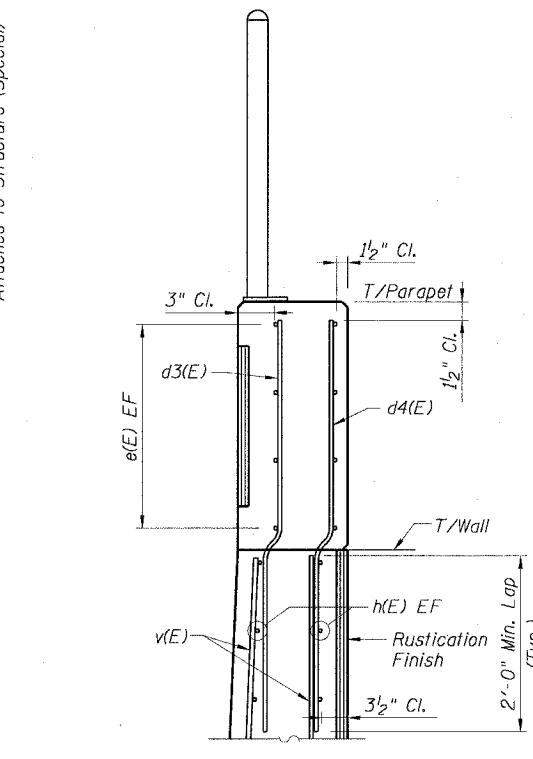
DIMENSION



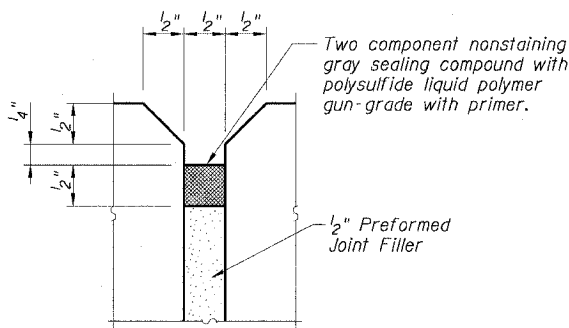
SECTION J-J



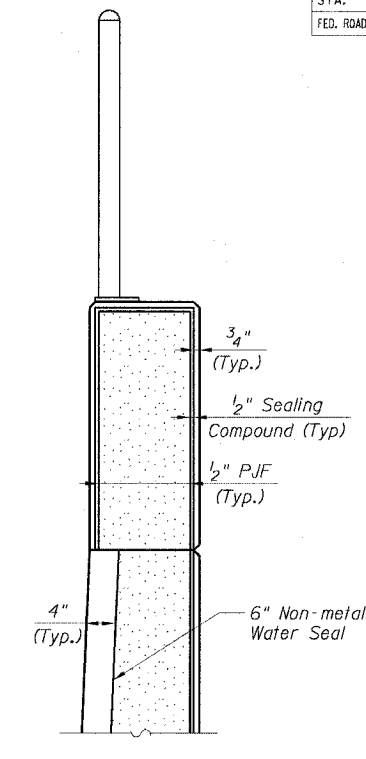
DETAIL A



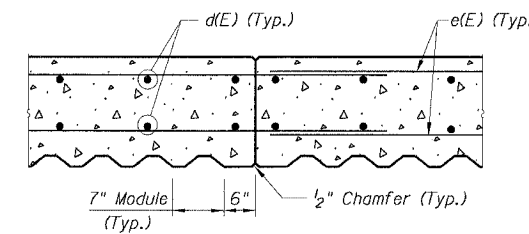
REINFORCING
TYPICAL SECTIONS - FLUTED PARAPET



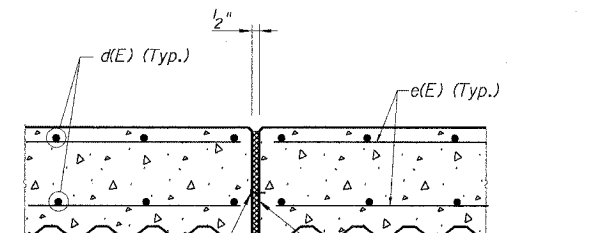
EXPANSION JOINT SEALING DETAIL



EXPANSION JOINT



CONSTRUCTION JOINT DETAIL



EXPANSION JOINT DETAIL

NOTES:

1. For Bar Bending Diagrams see Sheet Eb18.
2. For Chain Link Fence, 42" Attached to Structure (Special) Detail see Sheet SD1.
3. For location of Section F-F see Sheets Eb8 thru Eb11.

REVISIONS	
NAME	DATE

Sheet Eb17 of 23
ILLINOIS DEPARTMENT OF TRANSPORTATION
F.A.I. 90/94 (DAN RYAN EXPRESSWAY)
FLUTED PARAPET DETAILS
SOUTH WELLS STREET RETAINING WALL
WEST 62ND STREET TO WEST 59TH STREET
SECTION 2021-922PT.1-AC
STATION 513+16.20 TO 528+23.69
COOK COUNTY SN. 016-W906-W903
SCALE: None DRAWN BY: RSB
DATE: October 29, 2004 CHECKED BY: AJS/MM