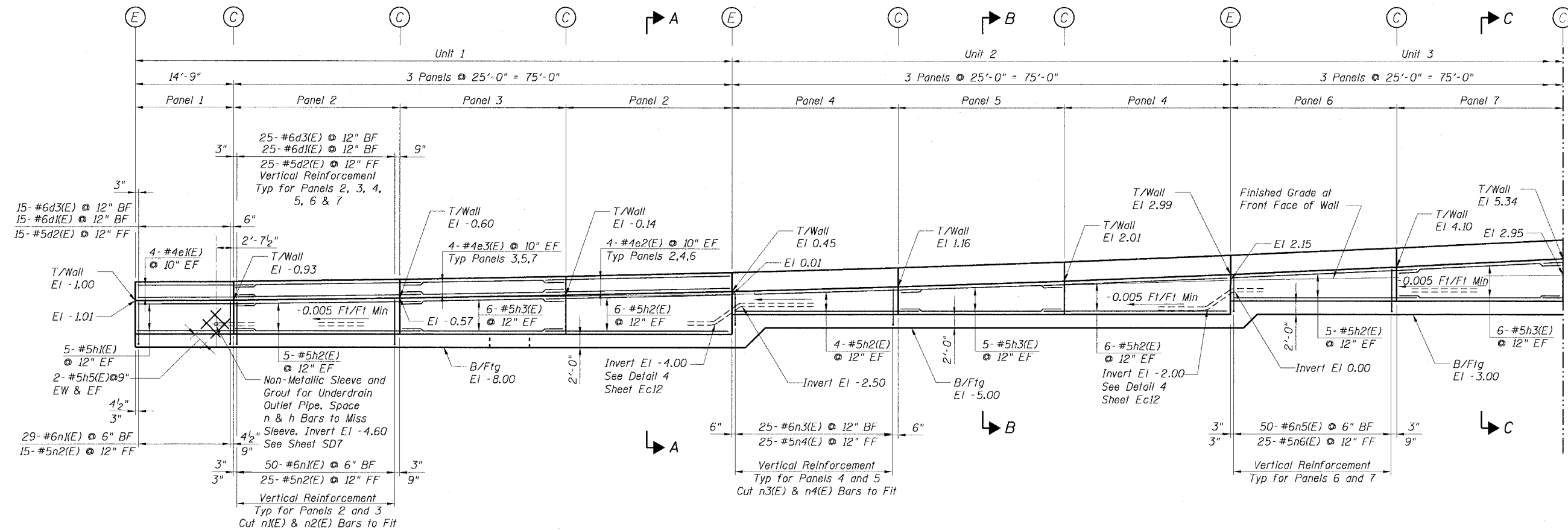


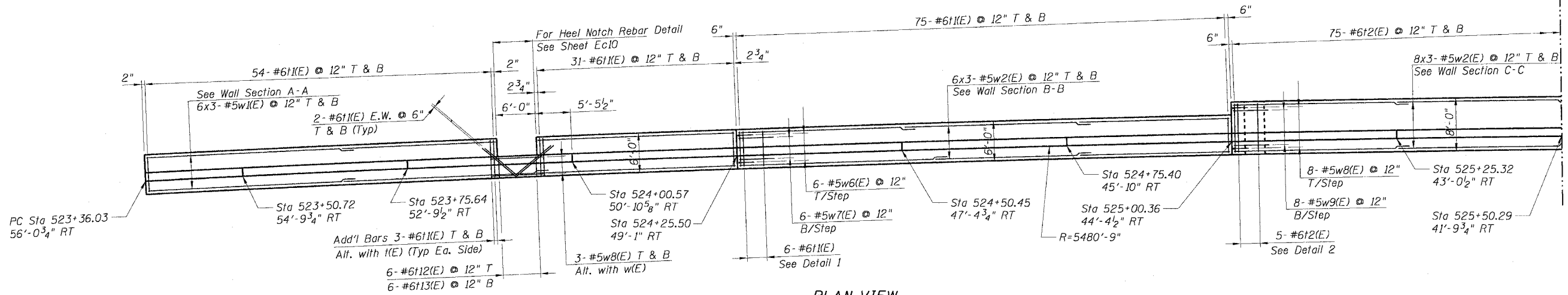
STATE OF ILLINOIS  
DEPARTMENT OF TRANSPORTATION

F.A.I. RTE.	SECTION	COUNTY	TOTAL SHEETS	SHEET NO.
90/94	2021-922PT.1-AC	COOK	460	317
STA.	TO STA.			
FED. ROAD DIST. NO. 1	ILLINOIS	FED. AID PROJECT		

62693



FRONT FACE ELEVATION  
(Looking West)



PLAN VIEW

NOTES:

- For Wall Sections see Sheets Ec11 to Ec13
- For Step Details see Sheet Ec13
- For Bar Bending Diagrams see Sheet Ec16
- For Non-Metallic Sleeve and Grout detail see Sheet Ec12
- Minimum lap lengths for horizontal bars shall be as follows:  
for #4e bars - 1'-8"  
for #5h bars - 2'-2"  
for #5w bars - 2'-5"
- Conduit and conduit sleeves shall be installed to miss Wall reinforcing bars. The cost of furnishing and installing sleeves and grout shall be included in the cost of "Concrete Structures".
- Bars indicated thus 18x6-#5 etc. Indicates 18 lines of bars with 6 lengths per line.
- Work Sheets Ec6 thru Ec10 together
- For Parapet Transition Details see Sheet Ec14.

REVISIONS	
NAME	DATE

Sheet Ec6 of 20  
ILLINOIS DEPARTMENT OF TRANSPORTATION  
F.A.I. 90/94 (DAN RYAN EXPRESSWAY)  
DETAILED PLAN AND ELEVATION  
SOUTH WELLS ST. RETAINING WALL  
WEST 61ST STREET TO WEST 59TH STREET  
SECTION 2021-922PT.1-AC  
STATION 523+36.03 TO STATION 533+88.42  
COOK COUNTY S.N. 016-W964, 016-W894  
SCALE: None DRAWN BY: ET/CHD  
DATE: October 29, 2004 CHECKED BY: C/JG/AJS



MATCH LINE STA 525+50.29 SEE SHEET Ec7

MAP 4048B US1202V4-CMT9C STANW964RT0900624016-W964-B7

11/23/2004 11:05:4 AM