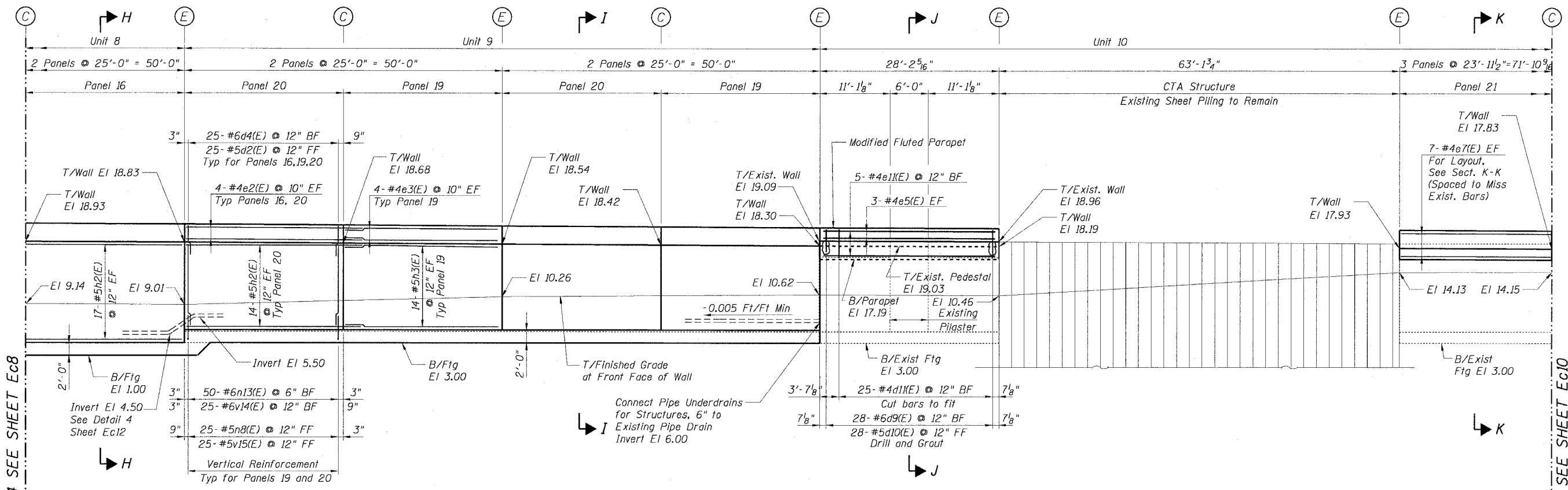


STATE OF ILLINOIS
DEPARTMENT OF TRANSPORTATION

F.A.I. RTE.	SECTION	COUNTY	TOTAL SHEETS	SHEET NO.
90/94	2021-922PT.1-AC	COOK	460	320
STA.	TO STA.			
FED. ROAD DIST. NO. 1	ILLINOIS	FED. AID PROJECT		

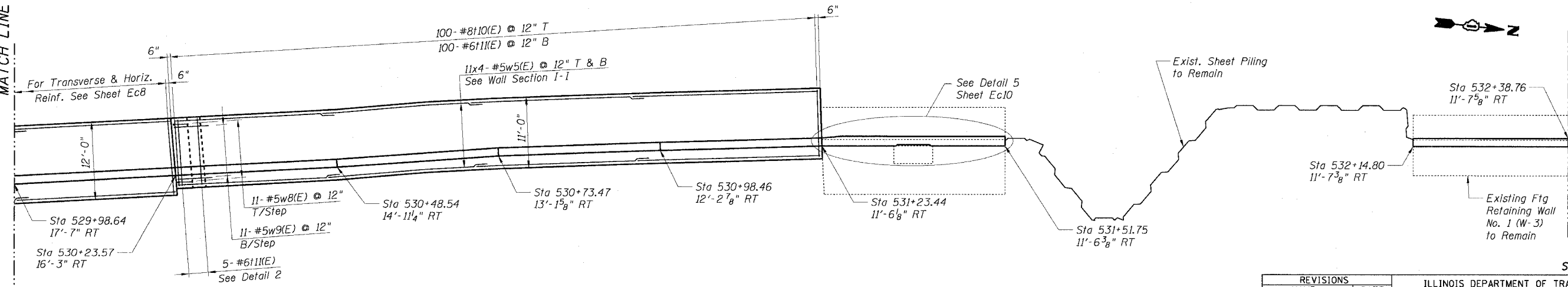
62693



FRONT FACE ELEVATION
(Looking West)

MATCH LINE STA. 529+98.64 SEE SHEET Ec8

MATCH LINE STA. 532+38.76 SEE SHEET Ec10



PLAN VIEW

REVISIONS	
NAME	DATE

Sheet Ec9 of 20

ILLINOIS DEPARTMENT OF TRANSPORTATION
F.A.I. 90/94 (DAN RYAN EXPRESSWAY)
DETAILED PLAN AND ELEVATION
SOUTH WELLS ST. RETAINING WALL
WEST 61ST STREET TO WEST 59TH STREET
SECTION 2021-922PT.1-AC
STATION 523+36.03 TO STATION 533+88.42
COOK COUNTY S.N. 016-W964, 016-W894
SCALE: None DRAWN BY: ET/CHD
DATE: October 29, 2004 CHECKED BY: GJG/AJS

