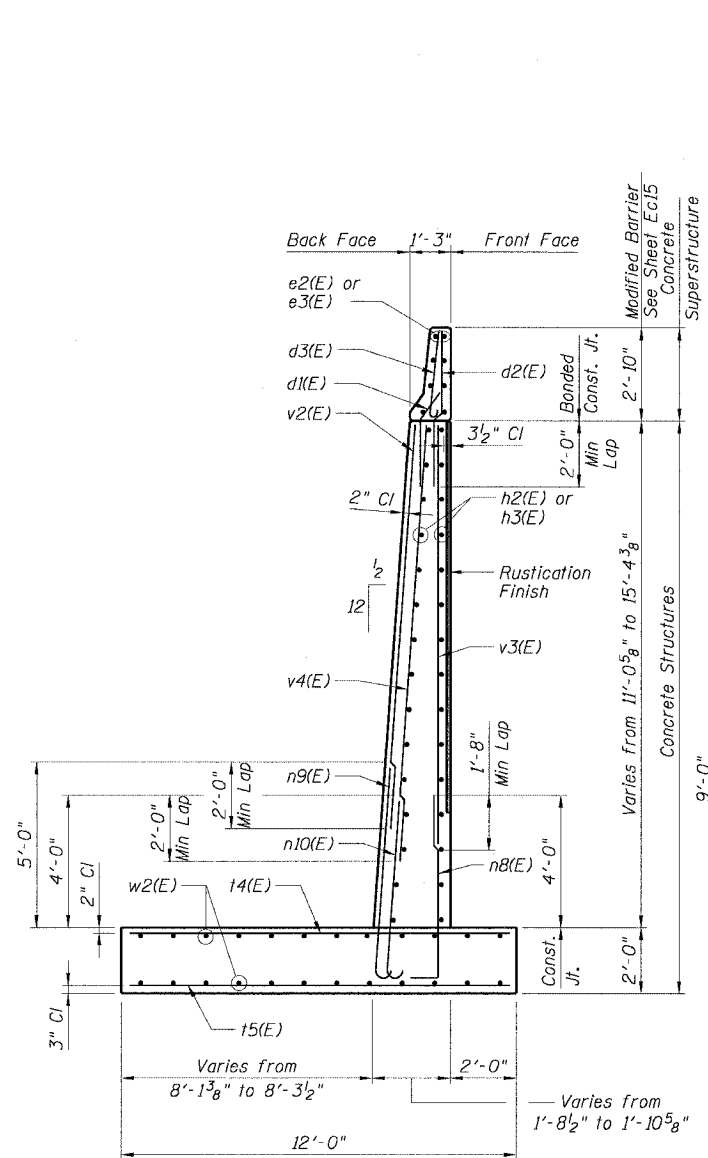


STATE OF ILLINOIS
DEPARTMENT OF TRANSPORTATION

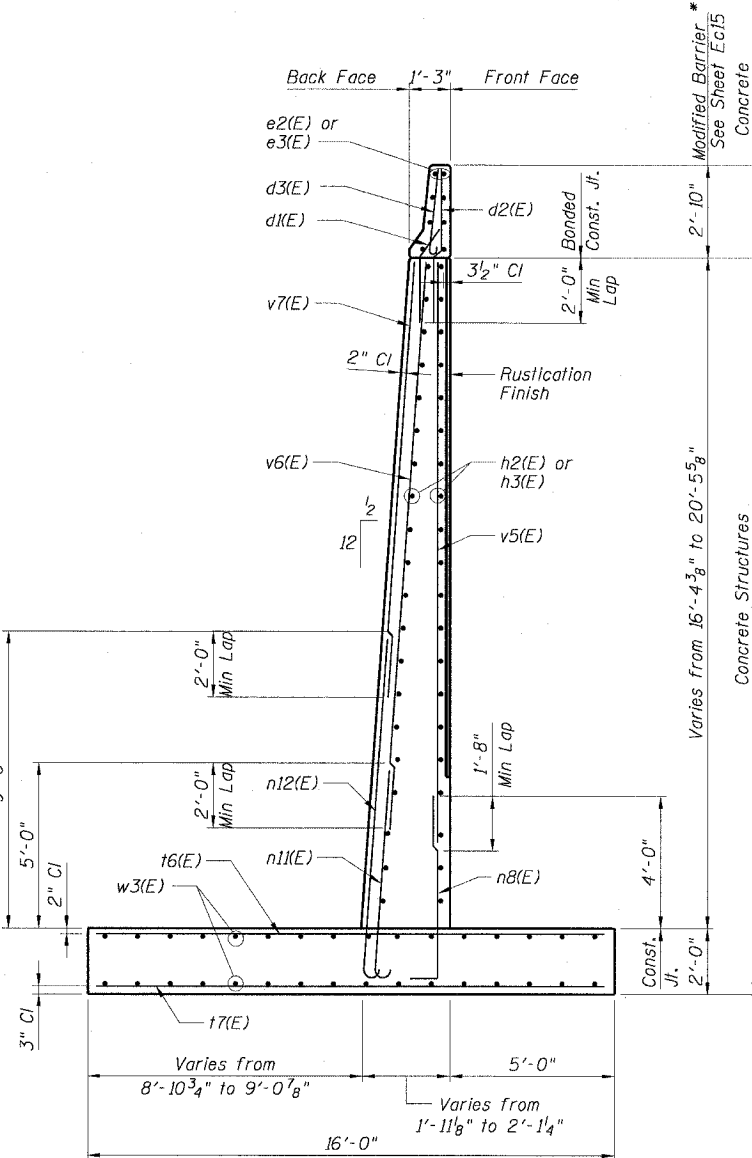
F.A.I. RTE.	SECTION	COUNTY	TOTAL SHEETS	SHEET NO.
90/94	2021-922PT.1-AC	COOK	460	323
STA.	TO STA.			
FED. ROAD DIST. NO. 1	ILLINOIS	FED. AID PROJECT		

62693



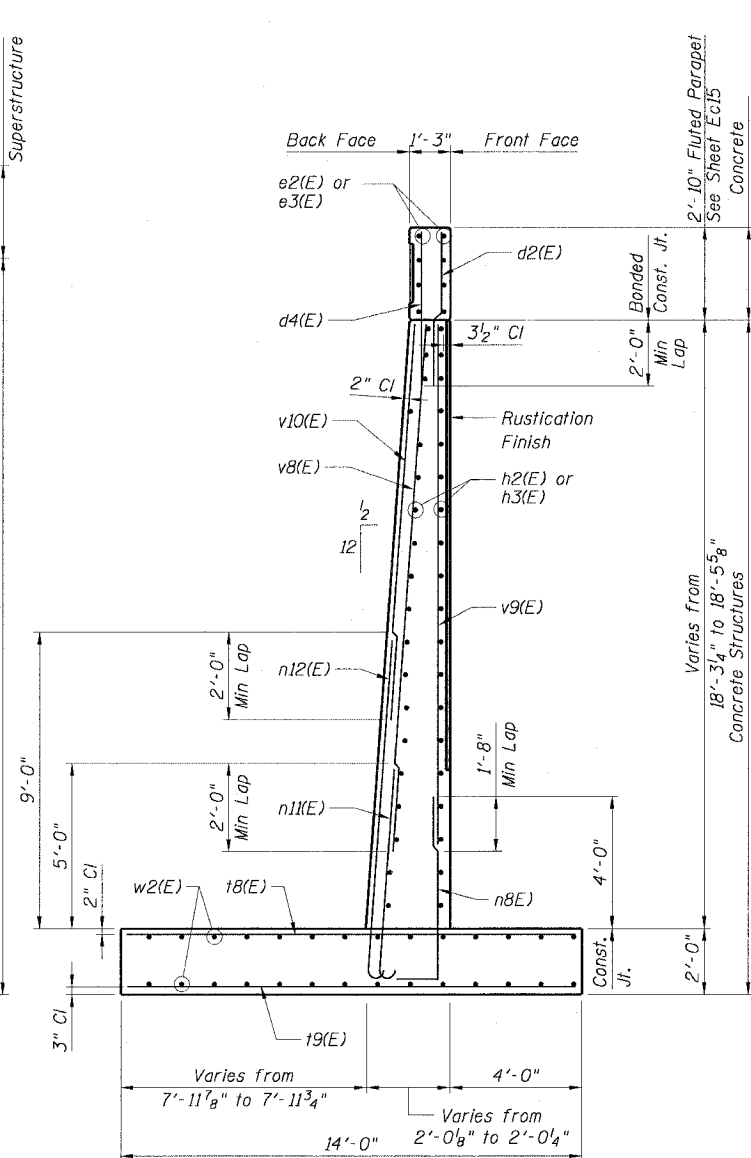
SECTION E-E

Sta. 526+50.21 to Sta. 527+25.19
Maximum Applied Bearing Pressure: 4.0 Ksf



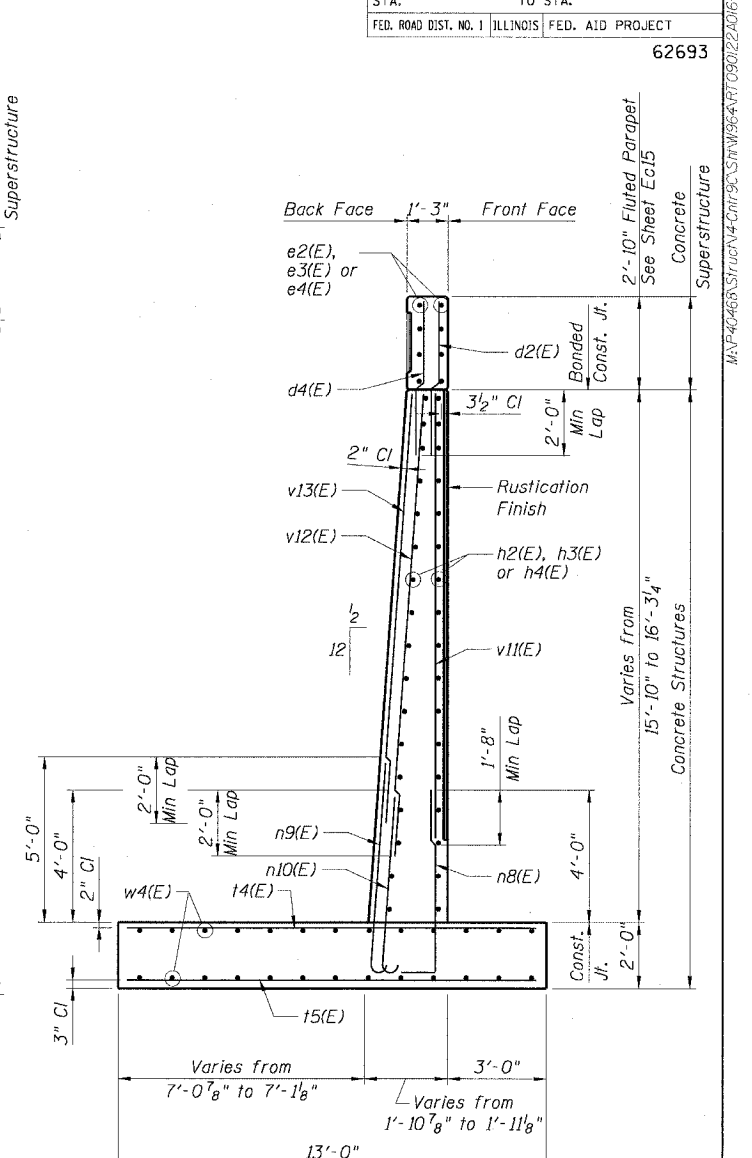
SECTION F-F

Sta. 527+25.19 to Sta. 528+74.29
Maximum Applied Bearing Pressure: 3.90 Ksf



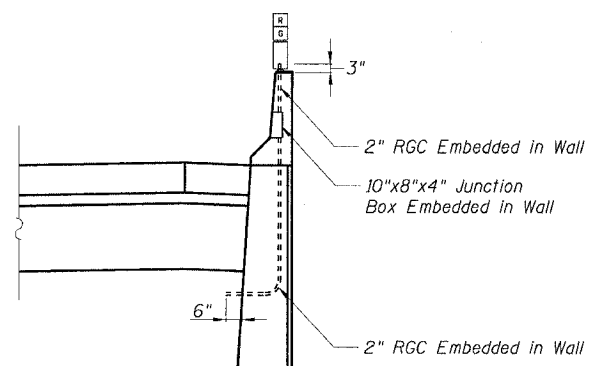
SECTION G-G

Sta. 528+74.29 to Sta. 529+48.79
Maximum Applied Bearing Pressure: 3.90 Ksf



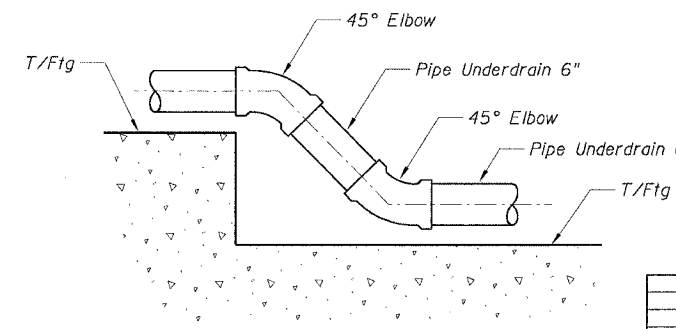
SECTION H-H

Sta. 529+53.75 to Sta. 530+23.57
Maximum Applied Bearing Pressure: 3.80 Ksf



EMBEDDED JUNCTION BOX DETAIL 7

Sta. 526+90.40
See Electrical Infrastructure Plans For Additional Information
Junction Box shall be installed to miss wall reinforcing bars
Looking North



**ELEVATION VIEW
DETAIL 4**

45° Bend for Pipe Underdrains
for Structures, 6"

NOTE:

For location of outlet pipe(s)
see Sheets Ec6 thru Ec10.

*Transition from Modified Barrier to Fluted Parapet
Sta 528+24.65 to Sta 528+49.47



REVISIONS	
NAME	DATE

Sheet Ec12 of 20
ILLINOIS DEPARTMENT OF TRANSPORTATION
F.A.I. 90/94 (DAN RYAN EXPRESSWAY)
WALL SECTIONS
SOUTH WELLS ST. RETAINING WALL
WEST 61ST STREET TO WEST 59TH STREET
SECTION 2021-922PT.1-AC
STATION 523+36.00 TO STATION 533+88.42
COOK COUNTY S.N. 016-W964, 016-W894
SCALE: None DRAWN BY: ET/CHD
DATE: October 29, 2004 CHECKED BY: C.JG/AJS

11/23/2004 11:56:45 AM