

STATE OF ILLINOIS
DEPARTMENT OF TRANSPORTATION

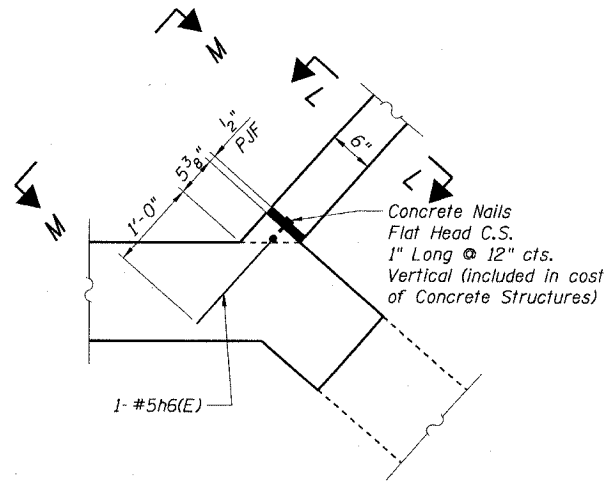
F.A.I. RTE.	SECTION	COUNTY	TOTAL SHEETS	SHEET NO.
90/94	2021-922PT.1-AC	COOK	460	335
STA.	TO STA.			
FED. ROAD DIST. NO. 1 ILLINOIS FED. AID PROJECT				

62693

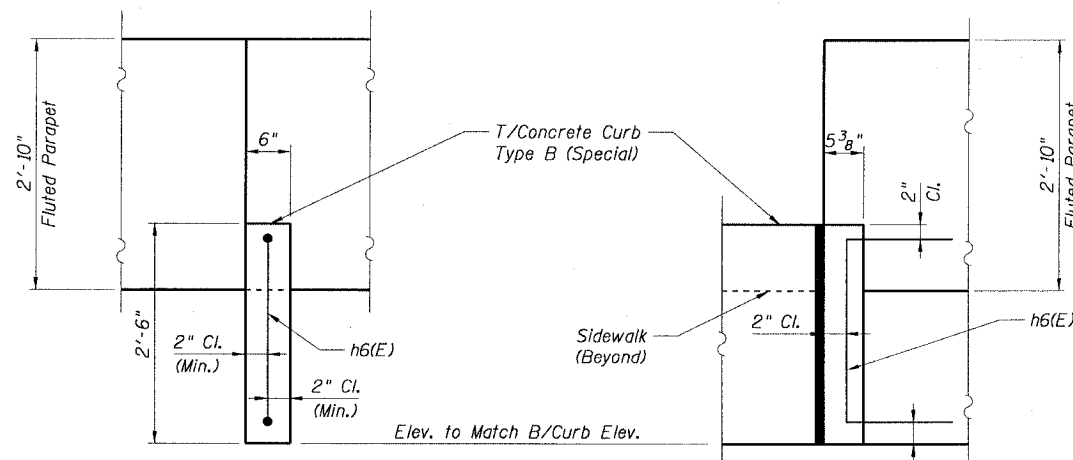
BILL OF MATERIAL

Bar	No.	Size	Length	Shape
d1(E)	6	#7	5'-8"	
d2(E)	6	#5	4'-5"	
d3(E)	12	#5	4'-10"	
d4(E)	12	#6	4'-11"	
e1(E)	4	#4	5'-8"	
e2(E)	4	#4	8'-3"	
e3(E)	4	#4	11'-11"	
e4(E)	4	#4	10'-10"	
h1(E)	10	#5	3'-4"	
h2(E)	3	#5	6'-2"	
h3(E)	3	#5	8'-3"	
h4(E)	8	#5	11'-10"	
h5(E)	8	#5	11'-5"	
h6(E)	1	#5	4'-1"	
n1(E)	12	#5	5'-10"	
n2(E)	12	#6	6'-0"	
v1(E)	12	#5	6'-4"	
v2(E)	12	#6	6'-4"	
t1(E)	14	#5	5'-2"	
t2(E)	7	#5	5'-2"	
t3(E)	5	#5	4'-10"	
w1(E)	12	#5	11'-10"	

Item	Unit	Quantity
Concrete Removal	Cu Yd	0.4
Concrete Structures	Cu Yd	7.3
Concrete Superstructure	Cu Yd	2.5
Protective Coat	Sq Yd	17
Reinforcement Bars, Epoxy Coated	Pound	1290
Chain Link Fence, 42" Attached to Structure (Special)	Foot	17
Rustication Finish	Sq Ft	25
Porous Granular Embankment	Cu Yd	23
Porous Granular Embankment, Special	Cu Yd	5
Structure Excavation	Cu Yd	34
Temporary Soil Retention System	Sq Ft	178

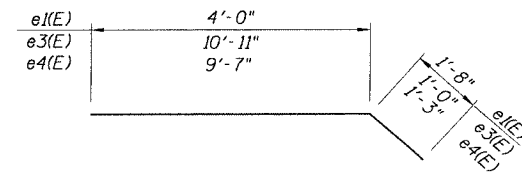


DETAIL 1 PLAN

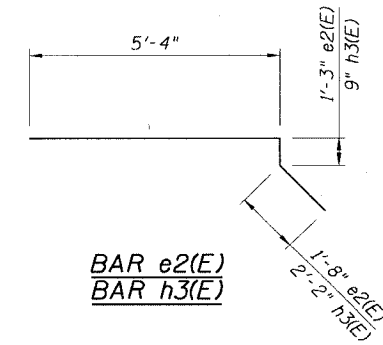


SECTION L-L

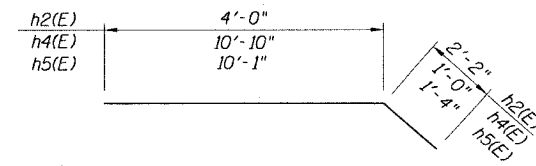
SECTION M-M



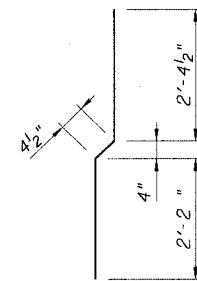
BARS e1(E), e3(E), and e4(E)



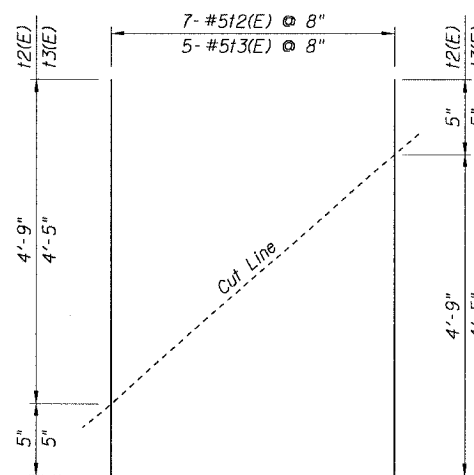
BAR e2(E) and BAR h3(E)



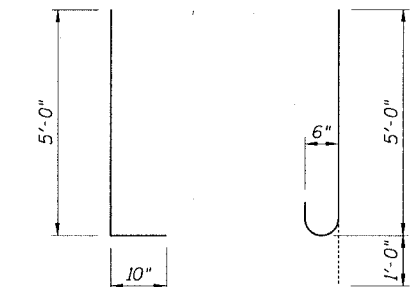
BARS h2(E), h4(E), and h5(E)



BAR d4(E)

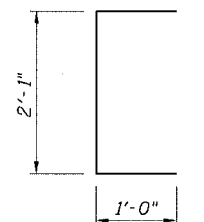


t2(E) & t3(E) CUTTING DIAGRAM

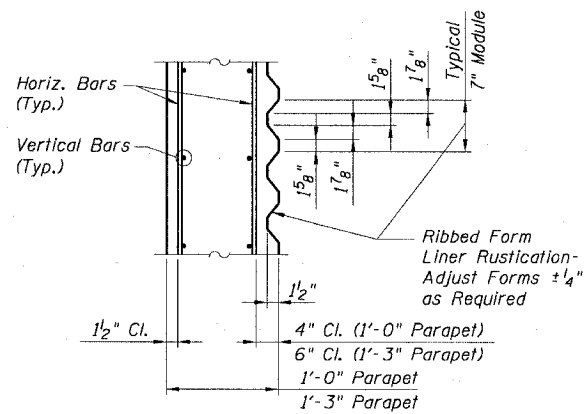


BAR n1(E)

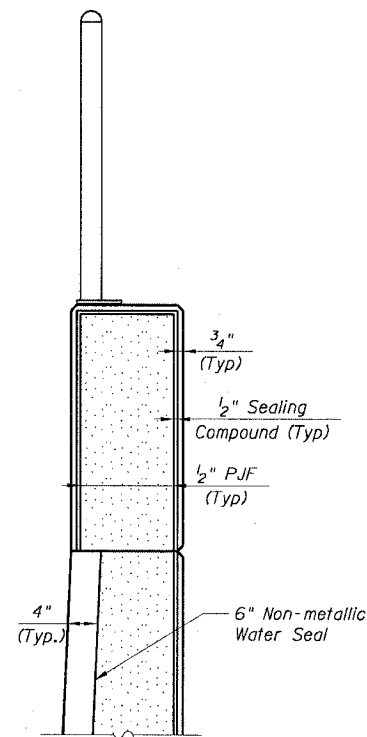
BAR n2(E)



BAR h6(E)



SECTION K-K



EXPANSION JOINT

NOTES:

1. Work Sheets CGa1 thru CGa4 together.

REVISIONS	
NAME	DATE

CGa4 OF 4
ILLINOIS DEPARTMENT OF TRANSPORTATION
F.A.I. 90/94 (DAN RYAN EXPRESSWAY)
SECTIONS, DETAILS & BILL OF MATERIAL
NORTHWEST CORNER GARDEN
SOUTH WELLS STREET AT WEST 63rd STREET
SECTION 2021-922 PT.1-AC
STATION 508+23.41 TO 508+32.37
COOK COUNTY

SCALE: None DRAWN BY: CHD
DATE: October 29, 2004 CHECKED BY: DC