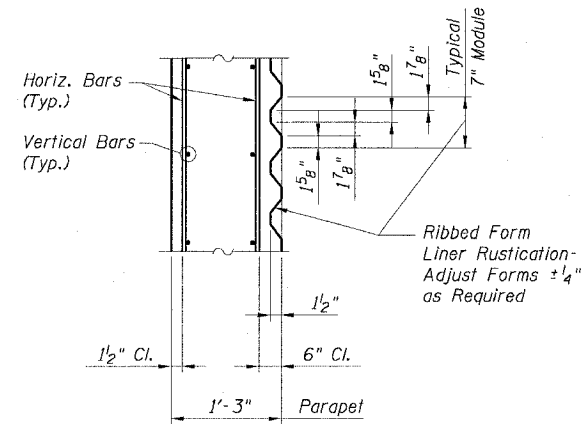
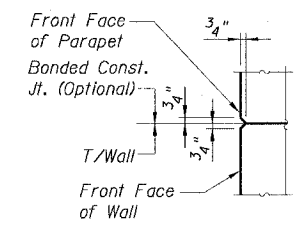


STATE OF ILLINOIS  
DEPARTMENT OF TRANSPORTATION

F.A.I. RTE.	SECTION	COUNTY	TOTAL SHEETS	SHEET NO.
90/94	2021-922PT.1-AC	COOK	460	338
STA.	TO STA.			
FED. ROAD DIST. NO. 1	ILLINOIS	FED. AID PROJECT		
62693				



**SECTION F-F**



**DETAIL A**

**BILL OF MATERIAL**

Bar	No.	Size	Length	Shape
d1(E)	20	#5	4'-3"	—
d2(E)	21	#7	5'-8"	—
e1(E)	7	#4	19'-0"	—
e2(E)	7	#4	19'-9"	—
Item	Unit	Quantity		
Concrete Removal	Cu Yd	1.4		
Concrete Superstructure	Cu Yd	4.4		
Protective Coat	Sq Yd	20		
Reinforcement Bars, Epoxy Coated	Pound	520		
Chain Link Fence, 42" Attached to Structure (Special)	Foot	21		
Rustication Finish	Sq Ft	37		
Porous Granular Embankment	Cu Yd	3		
Structure Excavation	Cu Yd	4		

**NOTES:**

1. Work Sheets CGb1 thru CGb3 together.

**CTE ENGINEERS**  
CONSOER TOWNSEND ENVIRODYNE ENGINEERS, INC.  
303 EAST WACKER DRIVE, SUITE 600  
CHICAGO ILLINOIS 60601-5212, PHONE: (312) 938-0300

REVISIONS		ILLINOIS DEPARTMENT OF TRANSPORTATION F.A.I. 90/94 (DAN RYAN EXPRESSWAY) SECTIONS, DETAILS & BILL OF MATERIAL NORTHEAST CORNER GARDEN SOUTH WENTWORTH AVE. AT WEST 63rd STREET SECTION 2021-922 PT.1-AC STATION 104+85.35 TO 105+01.03 COOK COUNTY
NAME	DATE	
SCALE: None		DRAWN BY: CHD
DATE: October 29, 2004		CHECKED BY: DC

11/22/2004 01:38:07 PM