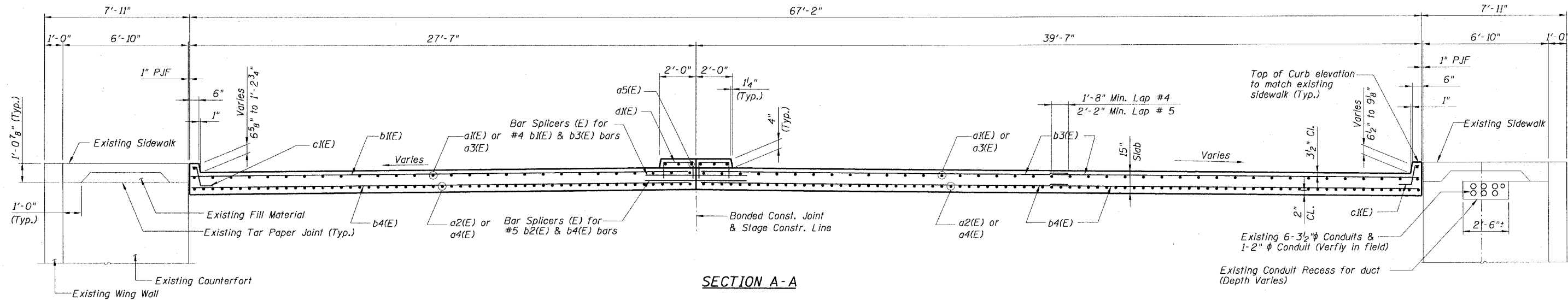


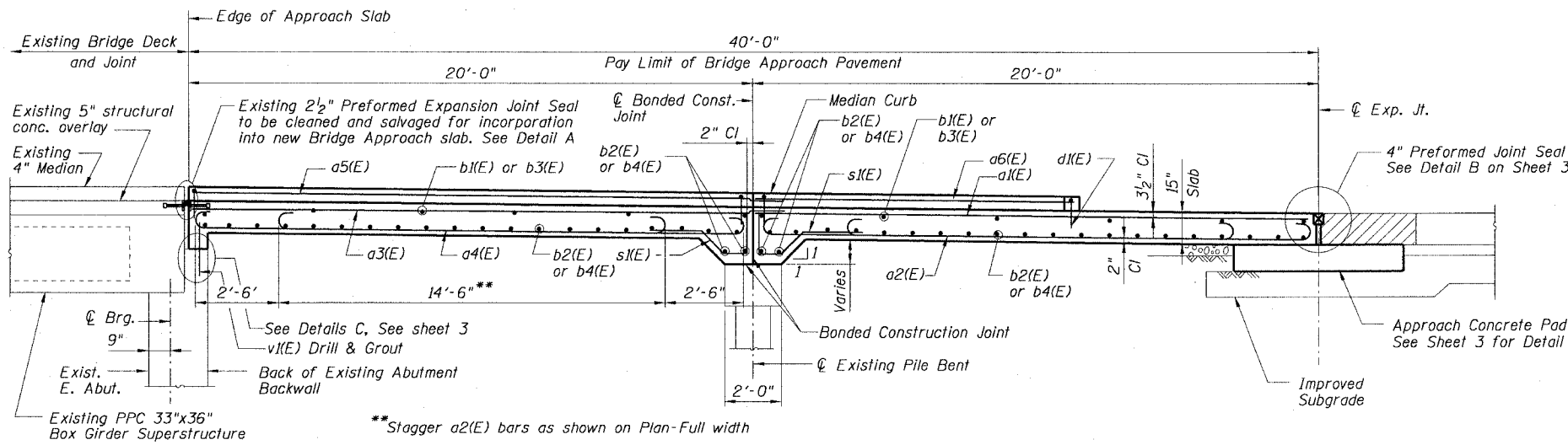
STATE OF ILLINOIS  
DEPARTMENT OF TRANSPORTATION

F.A.I. RTE.	SECTION	COUNTY	TOTAL SHEETS	SHEET NO.
90/94	2021-922PT.1-AC	COOK	460	343
STA.	TO STA.			
FED. ROAD DIST. NO. 1 ILLINOIS FED. AID PROJECT				

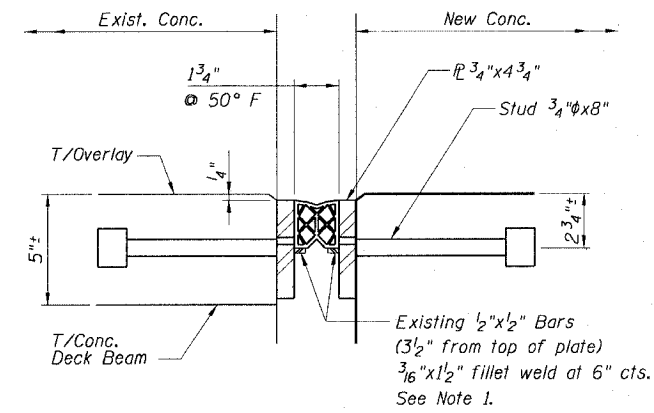
62693



SECTION A-A



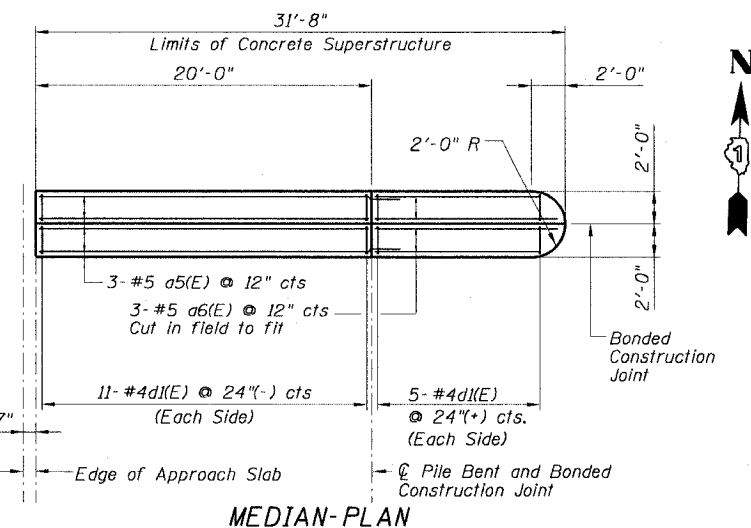
SECTION B-B



DETAIL A  
EXISTING JOINT DETAIL

NOTES:

- Existing 2 1/2" Preformed Joint seal, steel plate, steel bearing bars and shear studs at Abutment to remain. If portions of joint are damaged or are found to be unserviceable, they must be repaired or replaced by the Contractor. Cost to be included in the Cost of Approach Slab Removal. Steel plates and shear studs must be thoroughly cleaned by sandblasting, free of foreign material or oil, prior incorporation into the new Approach slab.
- For Legend, See Sheet 1.
- For General Notes, See Sheet 1.



MEDIAN-PLAN

**CTE ENGINEERS**  
CONSOCIERS TOWNSEND ENVIRODYNE ENGINEERS, INC.  
303 EAST WACKER DRIVE, SUITE 600  
CHICAGO, ILLINOIS 60601-5212, PHONE: (312) 938-0300

REVISIONS	
NAME	DATE

Sheet 2 of 4  
ILLINOIS DEPARTMENT OF TRANSPORTATION  
F.A.I. 90/94 (DAN RYAN EXPRESSWAY)  
EAST APPROACH PAVEMENT  
PLANS AND SECTIONS  
63rd STREET OVER FAI 90/94 DAN RYAN EXPWY  
SECTION (2021-922 PT.1, 2 & 2122-921 PT. 1)R-4  
COOK COUNTY  
STRUCTURE NUMBER 016-1149  
SCALE: None DRAWN BY: RJ/DC  
DATE: October 29, 2004 CHECKED BY: MM